

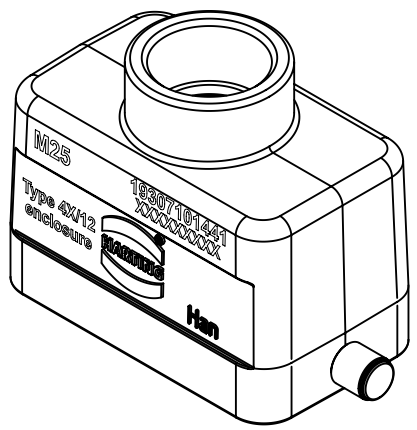
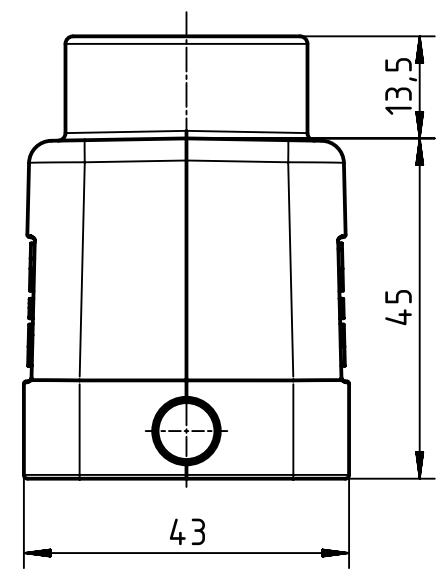
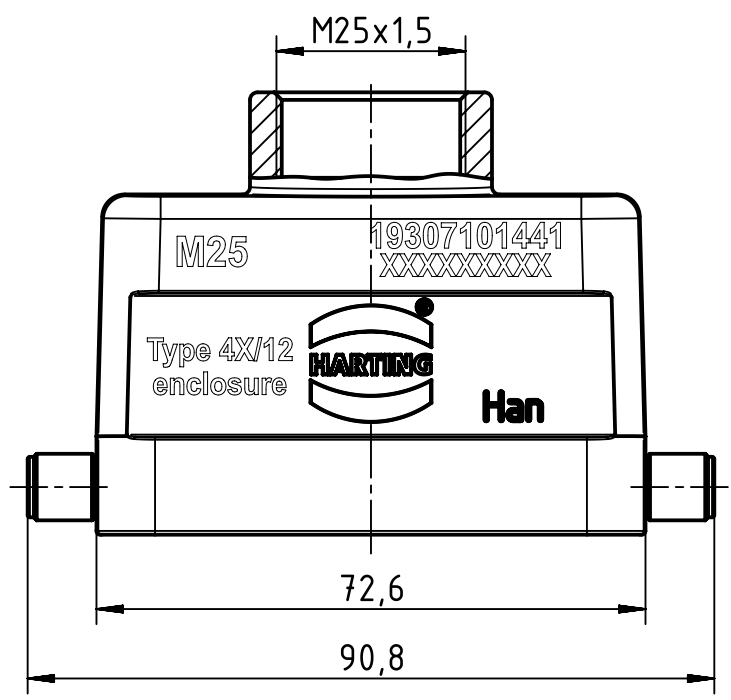
1 2 3 4 5 6

A

B

C

D



	All Dimensions in mm Original Size DIN A4		Scale 1:1	Free size tol.		Ref.
						Sub.
	All rights reserved		Created by FINKEV	Inspected by GERB	Standardisation SCHMIDTM	Date 2018-09-05
	Department EL PD		Title 10B Hood Top Entry LC 2 Reels M25 Black			State Final Release
HARTING Electric GmbH & Co. KG D-32339 Espelkamp			Type TB	Number 19 30 710 1441		Doc-Key / ECM-Nr. 100125162/UGD/005/C 500000138601
					Rev. C	Page 1/1