

Features

- Operating voltage: 2.4V~12V
- Low power and high noise immunity CMOS technology
- Low standby current
- Capable of decoding 12 bits of information
- Binary address setting
- Received codes are checked 3 times
- Address/Data number combination
 - HT12D: 8 address bits and 4 data bits
 - HT12F: 12 address bits only
- Built-in oscillator needs only 5% resistor
- Valid transmission indicator
- Easy interface with an RF or an infrared transmission medium
- Minimal external components
- Pair with Holtek's 2¹² series of encoders
- 18-pin DIP, 20-pin SOP package

Applications

- Burglar alarm system
- Smoke and fire alarm system
- Garage door controllers
- Car door controllers
- Car alarm system
- Security system
- Cordless telephones
- Other remote control systems

General Description

The 2¹² decoders are a series of CMOS LSIs for remote control system applications. They are paired with Holtek's 2¹² series of encoders (refer to the encoder/decoder cross reference table). For proper operation, a pair of encoder/decoder with the same number of addresses and data format should be chosen.

The decoders receive serial addresses and data from a programmed 2¹² series of encoders that are transmitted by a carrier using an RF or an IR transmission medium. They compare the serial input data three times continu-

ously with their local addresses. If no error or unmatched codes are found, the input data codes are decoded and then transferred to the output pins. The VT pin also goes high to indicate a valid transmission.

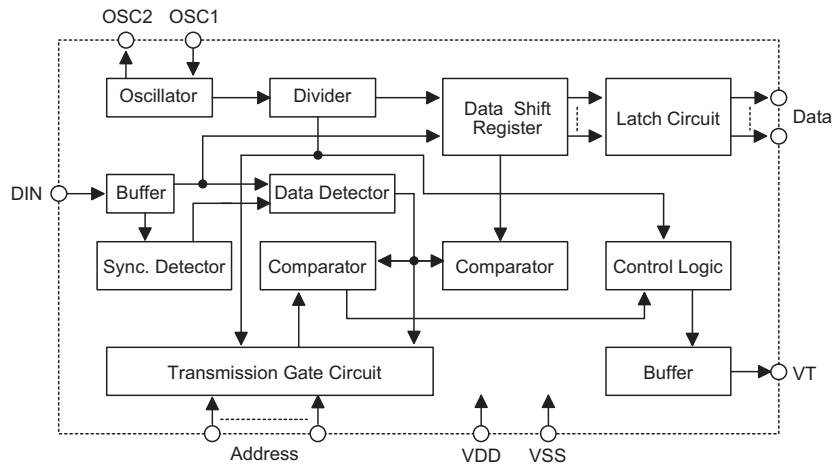
The 2¹² series of decoders are capable of decoding informations that consist of N bits of address and 12–N bits of data. Of this series, the HT12D is arranged to provide 8 address bits and 4 data bits, and HT12F is used to decode 12 bits of address information.

Selection Table

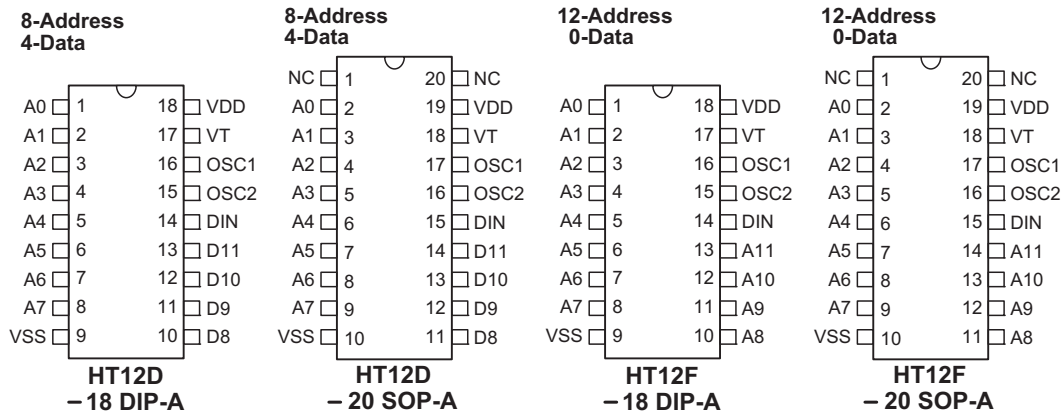
Function Part No.	Address No.	Data		VT	Oscillator	Trigger	Package
		No.	Type				
HT12D	8	4	L	√	RC oscillator	DIN active "Hi"	18DIP, 20SOP
HT12F	12	0	—	√	RC oscillator	DIN active "Hi"	18DIP, 20SOP

Notes: Data type: L stands for latch type data output.

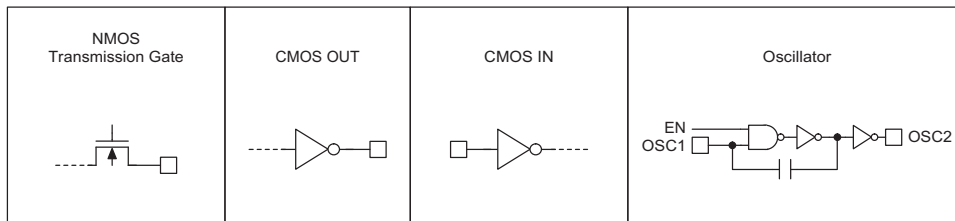
VT can be used as a momentary data output.

Block Diagram


Note: The address/data pins are available in various combinations (see the address/data table).

Pin Assignment

Pin Description

Pin Name	I/O	Internal Connection	Description
A0~A11 (HT12F)	I	NMOS Transmission Gate	Input pins for address A0~A11 setting These pins can be externally set to VSS or left open.
A0~A7 (HT12D)			Input pins for address A0~A7 setting These pins can be externally set to VSS or left open.
D8~D11 (HT12D)	O	CMOS OUT	Output data pins, power-on state is low.
DIN	I	CMOS IN	Serial data input pin
VT	O	CMOS OUT	Valid transmission, active high
OSC1	I	Oscillator	Oscillator input pin
OSC2	O	Oscillator	Oscillator output pin
VSS	—	—	Negative power supply, ground
VDD	—	—	Positive power supply

Approximate internal connection circuits

Absolute Maximum Ratings

Supply Voltage	-0.3V to 13V	Storage Temperature	-50°C to 125°C
Input Voltage	$V_{SS}-0.3$ to $V_{DD}+0.3V$	Operating Temperature	-20°C to 75°C

Note: These are stress ratings only. Stresses exceeding the range specified under "Absolute Maximum Ratings" may cause substantial damage to the device. Functional operation of this device at other conditions beyond those listed in the specification is not implied and prolonged exposure to extreme conditions may affect device reliability.

Electrical Characteristics

Ta=25°C

Symbol	Parameter	Test Conditions		Min.	Typ.	Max.	Unit
		V _{DD}	Conditions				
V _{DD}	Operating Voltage	—	—	2.4	5	12	V
I _{STB}	Standby Current	5V	Oscillator stops	—	0.1	1	μA
		12V		—	2	4	μA
I _{DD}	Operating Current	5V	No load, f _{OSC} =150kHz	—	200	400	μA
I _O	Data Output Source Current (D8~D11)	5V	V _{OH} =4.5V	-1	-1.6	—	mA
	Data Output Sink Current (D8~D11)	5V	V _{OL} =0.5V	1	1.6	—	mA
I _{VT}	VT Output Source Current	5V	V _{OH} =4.5V	-1	-1.6	—	mA
	VT Output Sink Current		V _{OL} =0.5V	1	1.6	—	mA
V _{IH}	"H" Input Voltage	5V	—	3.5	—	5	V
V _{IL}	"L" Input Voltage	5V	—	0	—	1	V
f _{OSC}	Oscillator Frequency	5V	R _{OSC} =51kΩ	—	150	—	kHz

Functional Description

Operation

The 2¹² series of decoders provides various combinations of addresses and data pins in different packages so as to pair with the 2¹² series of encoders.

The decoders receive data that are transmitted by an encoder and interpret the first N bits of code period as addresses and the last 12-N bits as data, where N is the address code number. A signal on the DIN pin activates the oscillator which in turn decodes the incoming address and data. The decoders will then check the received address three times continuously. If the received address codes all match the contents of the decoder's local address, the 12-N bits of data are decoded to activate the output pins and the VT pin is set high to indicate a valid transmission. This will last unless the address code is incorrect or no signal is received.

The output of the VT pin is high only when the transmission is valid. Otherwise it is always low.

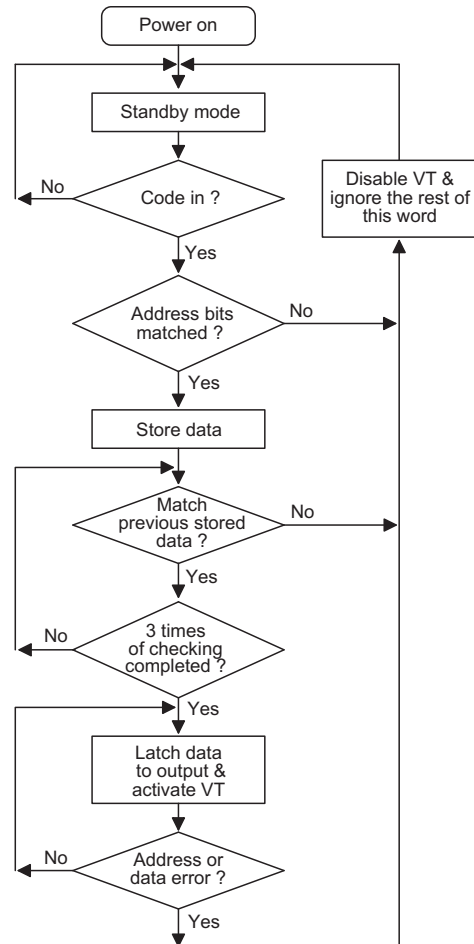
Output Type

Of the 2¹² series of decoders, the HT12F has no data output pin but its VT pin can be used as a momentary data output. The HT12D, on the other hand, provides 4 latch type data pins whose data remain unchanged until new data are received.

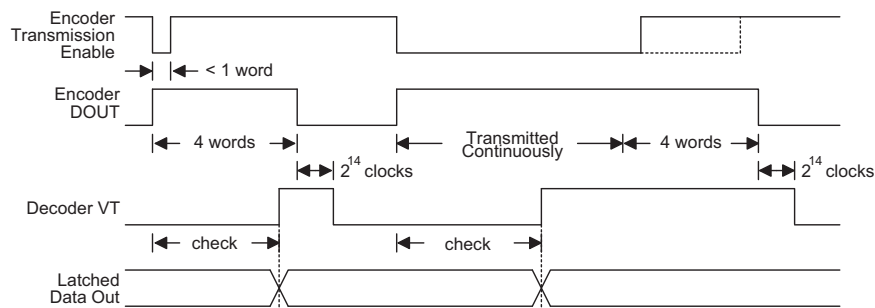
Part No.	Data Pins	Address Pins	Output Type	Operating Voltage
HT12D	4	8	Latch	2.4V~12V
HT12F	0	12	—	2.4V~12V

Flowchart

The oscillator is disabled in the standby state and activated when a logic "high" signal applies to the DIN pin. That is to say, the DIN should be kept low if there is no signal input.



Decoder Timing



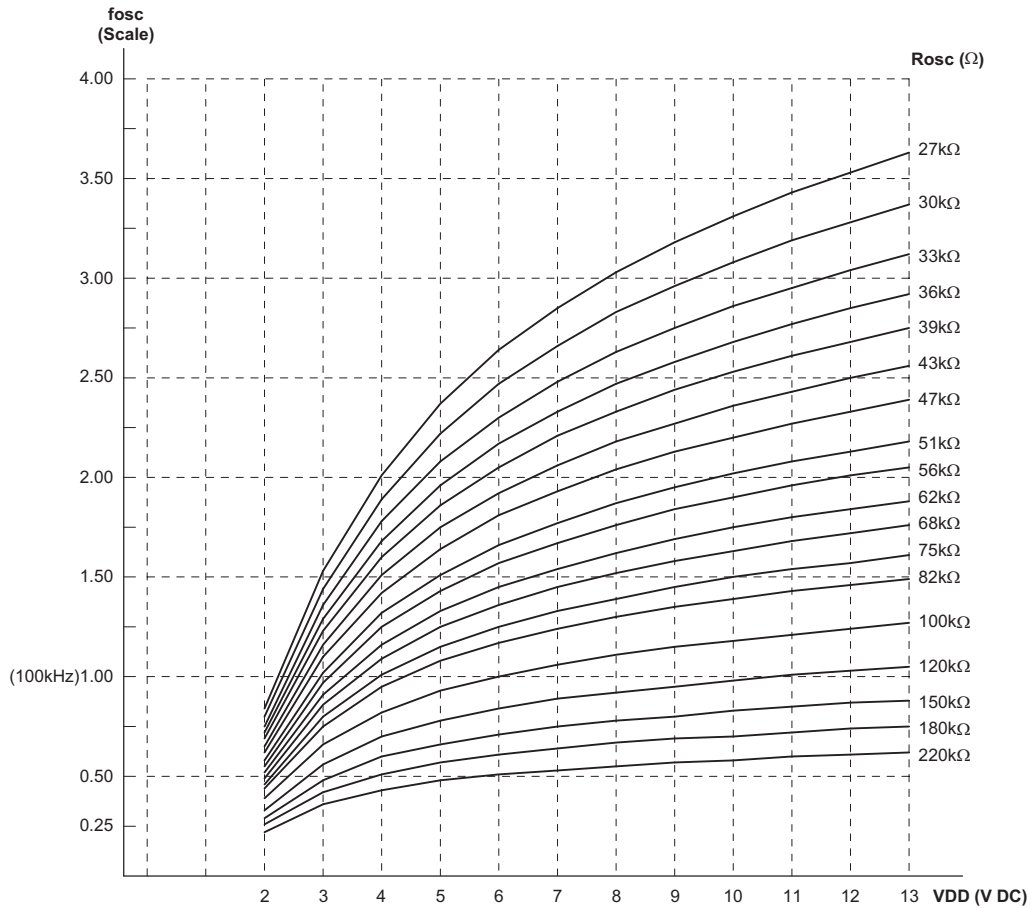
Encoder/Decoder Cross Reference Table

Decoders Part No.	Data Pins	Address Pins	VT	Pair Encoder	Package			
					Encoder		Decoder	
					DIP	SOP	DIP	SOP
HT12D	4	8	√	HT12A HT12E	18	20	18	20
HT12F	0	12	√	HT12A HT12E	18	20	18	20

Address/Data Sequence

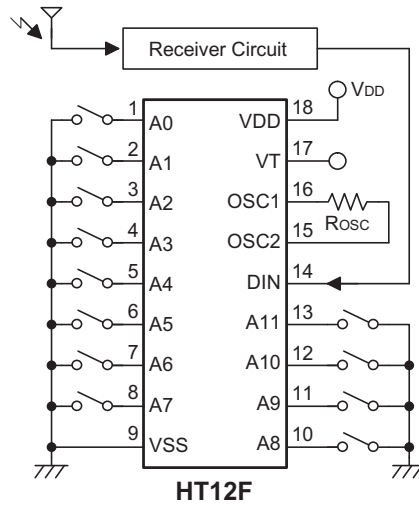
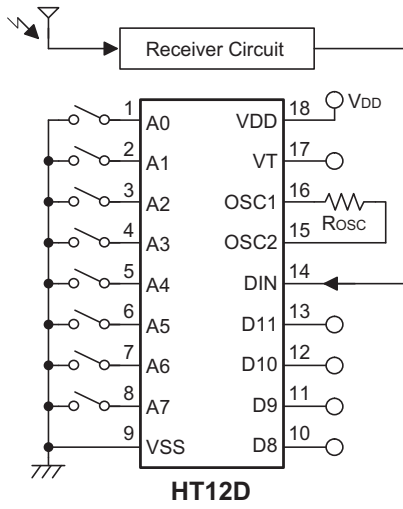
The following table provides address/data sequence for various models of the 2¹² series of decoders.

Part No.	Address/Data Bits											
	0	1	2	3	4	5	6	7	8	9	10	11
HT12D	A0	A1	A2	A3	A4	A5	A6	A7	D8	D9	D10	D11
HT12F	A0	A1	A2	A3	A4	A5	A6	A7	A8	A9	A10	A11

Oscillator Frequency Vs Supply Voltage


Note: The recommended oscillator frequency is $f_{OSCD} \text{ (decoder)} \cong 50 f_{OSCE} \text{ (HT12E encoder)}$
 $\cong \frac{1}{3} f_{OSCE} \text{ (HT12A encoder)}$.

Application Circuits



Package Information

18-pin DIP (300mil) Outline Dimensions

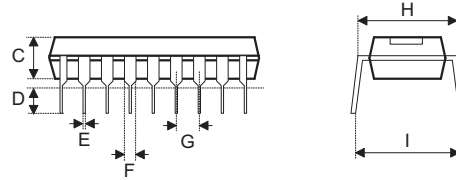
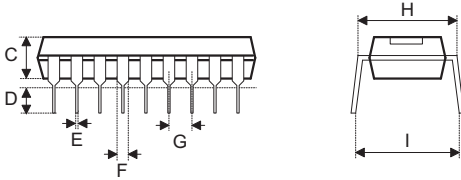
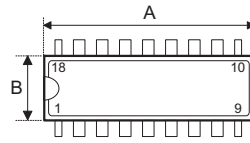
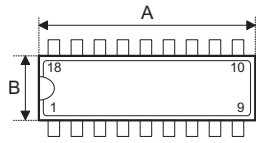


Fig1. Full Lead Packages

Fig2. 1/2 Lead Packages

- MS-001d (see fig1)

Symbol	Dimensions in mil		
	Min.	Nom.	Max.
A	880	—	920
B	240	—	280
C	115	—	195
D	115	—	150
E	14	—	22
F	45	—	70
G	—	100	—
H	300	—	325
I	—	—	430

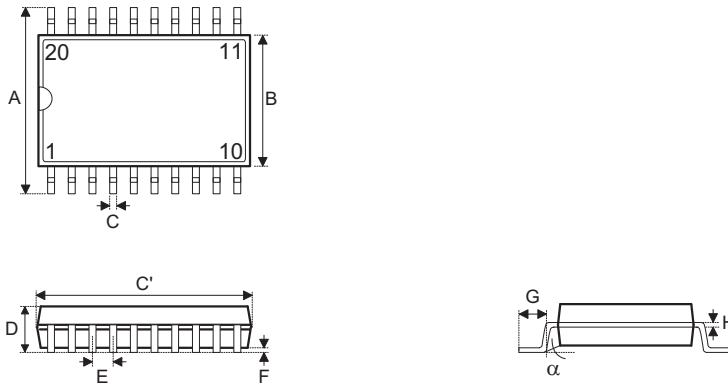
- MS-001d (see fig2)

Symbol	Dimensions in mil		
	Min.	Nom.	Max.
A	845	—	880
B	240	—	280
C	115	—	195
D	115	—	150
E	14	—	22
F	45	—	70
G	—	100	—
H	300	—	325
I	—	—	430

- MO-095a (see fig2)

Symbol	Dimensions in mil		
	Min.	Nom.	Max.
A	845	—	885
B	275	—	295
C	120	—	150
D	110	—	150
E	14	—	22
F	45	—	60
G	—	100	—
H	300	—	325
I	—	—	430

20-pin SOP (300mil) Outline Dimensions

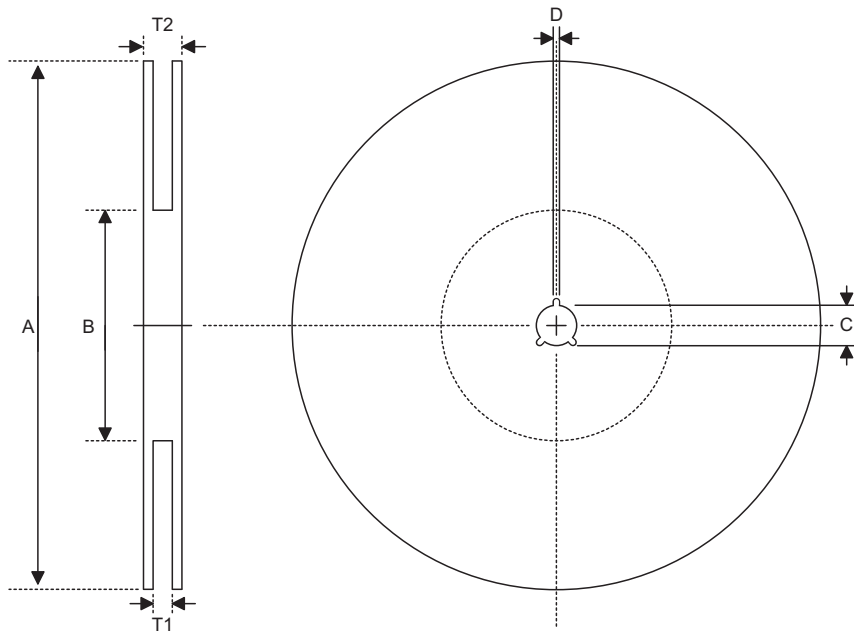


• MS-013

Symbol	Dimensions in mil		
	Min.	Nom.	Max.
A	393	—	419
B	256	—	300
C	12	—	20
C'	496	—	512
D	—	—	104
E	—	50	—
F	4	—	12
G	16	—	50
H	8	—	13
α	0°	—	8°

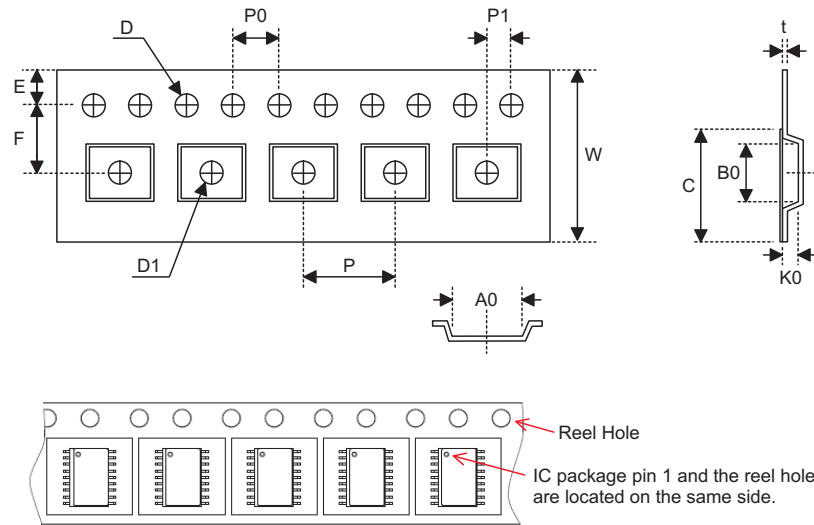
Product Tape and Reel Specifications

Reel Dimensions



SOP 20W

Symbol	Description	Dimensions in mm
A	Reel Outer Diameter	330.0±1.0
B	Reel Inner Diameter	100.0±1.5
C	Spindle Hole Diameter	13.0 ^{+0.5/-0.2}
D	Key Slit Width	2.0±0.5
T1	Space Between Flange	24.8 ^{+0.3/-0.2}
T2	Reel Thickness	30.2±0.2

Carrier Tape Dimensions

SOP 20W

Symbol	Description	Dimensions in mm
W	Carrier Tape Width	$24.0^{+0.3/-0.1}$
P	Cavity Pitch	12.0 ± 0.1
E	Perforation Position	1.75 ± 0.10
F	Cavity to Perforation (Width Direction)	11.5 ± 0.1
D	Perforation Diameter	$1.5^{+0.1/-0.0}$
D1	Cavity Hole Diameter	$1.50^{+0.25/-0.00}$
P0	Perforation Pitch	4.0 ± 0.1
P1	Cavity to Perforation (Length Direction)	2.0 ± 0.1
A0	Cavity Length	10.8 ± 0.1
B0	Cavity Width	13.3 ± 0.1
K0	Cavity Depth	3.2 ± 0.1
t	Carrier Tape Thickness	0.30 ± 0.05
C	Cover Tape Width	21.3 ± 0.1

Holtek Semiconductor Inc. (Headquarters)

No.3, Creation Rd. II, Science Park, Hsinchu, Taiwan
Tel: 886-3-563-1999
Fax: 886-3-563-1189
<http://www.holtek.com.tw>

Holtek Semiconductor Inc. (Taipei Sales Office)

4F-2, No. 3-2, YuanQu St., Nankang Software Park, Taipei 115, Taiwan
Tel: 886-2-2655-7070
Fax: 886-2-2655-7373
Fax: 886-2-2655-7383 (International sales hotline)

Holtek Semiconductor Inc. (Shanghai Sales Office)

G Room, 3 Floor, No.1 Building, No.2016 Yi-Shan Road, Minhang District, Shanghai, China 201103
Tel: 86-21-5422-4590
Fax: 86-21-5422-4705
<http://www.holtek.com.cn>

Holtek Semiconductor Inc. (Shenzhen Sales Office)

5F, Unit A, Productivity Building, Gaoxin M 2nd, Middle Zone Of High-Tech Industrial Park, ShenZhen, China 518057
Tel: 86-755-8616-9908, 86-755-8616-9308
Fax: 86-755-8616-9722

Holtek Semiconductor Inc. (Beijing Sales Office)

Suite 1721, Jinyu Tower, A129 West Xuan Wu Men Street, Xicheng District, Beijing, China 100031
Tel: 86-10-6641-0030, 86-10-6641-7751, 86-10-6641-7752
Fax: 86-10-6641-0125

Holtek Semiconductor Inc. (Chengdu Sales Office)

709, Building 3, Champagne Plaza, No.97 Dongda Street, Chengdu, Sichuan, China 610016
Tel: 86-28-6653-6590
Fax: 86-28-6653-6591

Holtek Semiconductor (USA), Inc. (North America Sales Office)

46729 Fremont Blvd., Fremont, CA 94538, USA
Tel: 1-510-252-9880
Fax: 1-510-252-9885
<http://www.holtek.com>

Copyright © 2009 by HOLTEK SEMICONDUCTOR INC.

The information appearing in this Data Sheet is believed to be accurate at the time of publication. However, Holtek assumes no responsibility arising from the use of the specifications described. The applications mentioned herein are used solely for the purpose of illustration and Holtek makes no warranty or representation that such applications will be suitable without further modification, nor recommends the use of its products for application that may present a risk to human life due to malfunction or otherwise. Holtek's products are not authorized for use as critical components in life support devices or systems. Holtek reserves the right to alter its products without prior notification. For the most up-to-date information, please visit our web site at <http://www.holtek.com.tw>.