



URS	E180276	Rated Voltage 690V _{AC} /600V _{AC} 700V _{AC}	Rated Breaking Test Capacity 200kA	Class aR	Standard(s) UL 248-13 IEC 60269-4 VDE 0636- Part 40
Size SQB2 - DIN 43653					

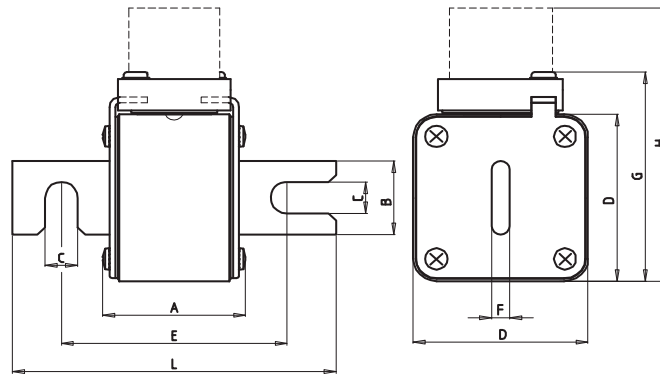
Rated Current I _n [A]	80mm With fitting for microswitch		110mm With fitting for microswitch		M10 With fitting for microswitch	
	Article Number	UL rec	Article Number	UL rec	Article Number	UL rec
250	2062232.250		2062532.250		2067132.250	
315	2062232.315		2062532.315		2067132.315	
350	2062232.350		2062532.350		2067132.350	
400	2062232.400	✓	2062532.400	✓	2067132.400	✓
450	2062232.450	✓	2062532.450	✓	2067132.450	✓
500	2062232.500	✓	2062532.500	✓	2067132.500	✓
550	2062232.550	✓	2062532.550	✓	2067132.550	✓
630	2062232.630	✓	2062532.630	✓	2067132.630	✓
700	2062232.700	✓	2062532.700	✓	2067132.700	✓
800	2062232.800	✓	2062532.800	✓	2067132.800	✓
900	2062232.900	✓	2062532.900	✓	2067132.900	✓
1000	2062232.1000		2062532.1000		2067132.1000	
1100	2062232.1100*		2062532.1100*		2067132.1100*	
1250	2062232.1250*		2062532.1250*		2067132.1250*	
* Rated 600Vac - IEC						
Weight [kg / 1]						
0.51	0.51	0.51	0.51	0.50	0.50	
Units per Package						
3	3	3	3	3	3	

Accessories

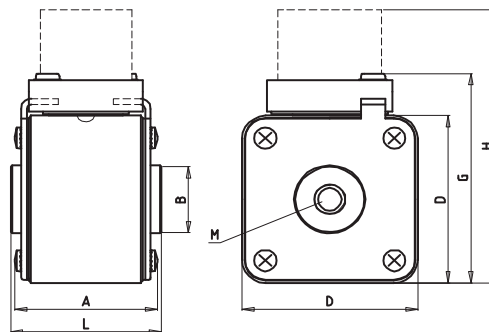
 E309038		 E309038			
Fuse Base		Page	Microswitch		Page
2131301	80mm center (900V) to 630A	446 - 447	2800104	Standard	448 - 449
2131302	80mm center (900V) to 1250A		2801104	Low level	
2132301	110mm center (1400V) to 630A	446 - 447			
2132302	110mm center (1400V) to 1250A				

URS	E180276	Rated Voltage 690V _{AC} /600V _{AC} 700V _{AC}	Rated Breaking Test Capacity 200kA	Class aR	Standard(s) UL 248-13 IEC 60269-4 VDE 0636- Part 40
URS					
Size SQB2 - DIN 43653					

	80mm With fitting for microswitch 2062232	110mm With fitting for microswitch 2062532	M10 With fitting for microswitch 2067132
Dimensions [in / mm]			
A	1.87 / 47.5	1.87 / 47.5	1.87 / 47.5
B	1.02 / 26	1.02 / 26	0.94 / 24
C	0.43 / 11	0.43 / 11	
D	2.36 / 60	2.36 / 60	2.36 / 60
E	3.00 / 76	4.17 / 106	
F	0.24 / 6	0.24 / 6	
G	2.95 / 75	2.95 / 75	2.95 / 75
H	3.86 / 98	3.86 / 98	3.86 / 98
L	4.30 / 109	5.28 / 134	2.00 / 51
M			M10 - Thread Depth 0.43 / 11
Torque Max			39N•m / 28.7lb•ft



2062232 / 2062532



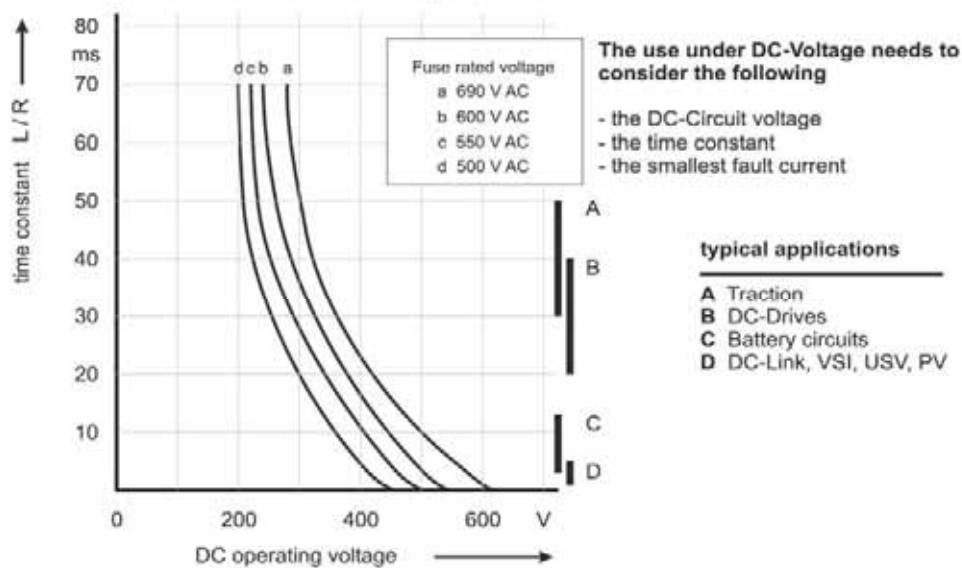
2067132

URS **E180276** **Rated Voltage** **Rated Breaking Test** **Class** **Standard(s)**
690V_{AC}/600V_{AC} **Capacity** **Voltage** **aR** **UL 248-13**
700V_{AC} **200kA** **IEC - 1.1Un** **IEC 60269-4**
UL - 1.0Un **VDE 0636- Part 40**
Size SQB2 - North American/DIN


Rated Current I_n [A]	Rated Voltage[U _n] IEC 60269-4 [V]	Rated Voltage[U _n] UL 248-13 [V]	Power Loss [W]	Pre-arcing i^2t [A ² s]	Total i^2t @ 660V _{AC} [A ² s]
250	690	—	65	5 600	32 000
315	690	—	75	7 800	45 000
350	690	—	80	11 800	68 000
400	690	700	65	13 000	75 000
450	690	700	75	18 000	110 000
500	690	700	80	26 000	150 000
550	690	700	85	36 000	195 000
630	690	700	94	55 000	300 000
700	690	700	99	74 000	410 000
800	690	700	108	100 000	580 000
900	690*	700	111	170 000	950 000
1000	690*	600	115	230 000	1 260 000
1100	600*	600	130	290 000	1 600 000
1250	600*	—	140	370 000	2 140 000

* Tested @ 1.05xU_n

DC Application



As a first assumption the minimum fault current should be 10 times the planned fuse rating. If smaller fault currents are expected our application engineers should be consulted.

URS  Size SQB2 - North American/DIN	E180276	Rated Voltage 690V _{AC} /600V _{AC} 700V _{AC}	Rated Breaking Test Capacity 200kA	Class aR	Standard(s) UL 248-13 IEC 60269-4 VDE 0636- Part 40
				Voltage IEC - 1.1Un UL - 1.0Un	

Coefficients for Heavy Duty Applications					
a	A2	B1	B2	Cf3	N
130	0.6	1.25	0.6	0.8	1.5

