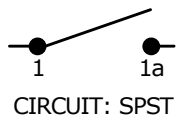
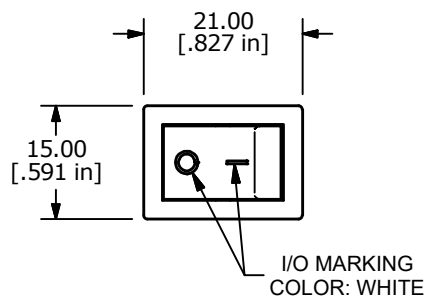


RECOMMENDED PANEL MOUNTING

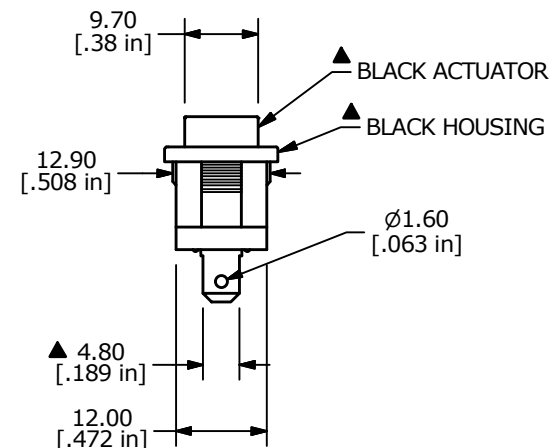
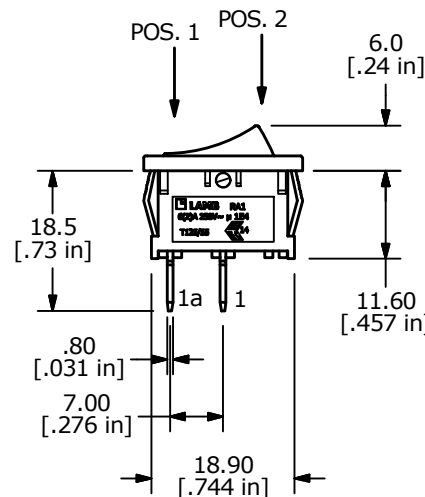
PANEL THICKNESS	X +0.10/-0.00
0.75-1.25mm	0.756 [19.2]
1.25-2.00mm	0.764 [19.4]
2.00-3.00mm	0.772 [19.6]



SWITCH FUNCTION	
POS. 1	POS. 2
OFF	ON
OPEN	1a-1

NOTE:

- DIMENSIONS IN MM [INCH]
- GENERAL TOLERANCE: X.X = ± 0.4
X.XX = ± 0.25
- TERMINAL NUMBERS FOR REF ONLY
- CONTACT MATERIAL: SILVER
- CONTACT RATINGS: ANSI/UL 1054 and CAN/CSA C22.2 No. 55 (E194579):
10A @ 125VAC [UR, cUR]
EN 61058-1:2002:
6(2)A 250V^o~μ 1E4 T125-55 [ENEC14]
- CONTACT RESISTANCE: 35mΩ MAX. @ 50VAC
- INSULATION RESISTANCE: 100MΩ MIN. @ 500VAC
- DIELECTRIC STRENGTH: 1,500VAC FOR 1 MINUTE
- ELECTRICAL LIFE: 6,000 CYCLES [UR, cUR]
10,000 CYCLES [ENEC14: 10(4)a 250v~]
- OPERATING TEMPERATURE: -20°C to 105°C [UR, cUR]
-20°C to 125°C [ENEC14: 10(4)a 250v~]
- ▲ DENOTES CRITICAL PARAMETER



E	23582	update rating to 10A @ 125VAC	10/1/18	MW
D	23426	REMOVED SEMKO RATING	6/28/18	MJR
C	20510	Re-Drawn	3/5/2012	MM
REV	PCR NO	DESCRIPTION	DATE	BY



TITLE RA11131121				
SCALE	DATE	DR	DWG	REV
1/2	3/5/2012	MM	38-RA11131121	E

THE INFORMATION CONTAINED IN THIS DOCUMENT IS PROPRIETARY TO E-SWITCH AND IS NOT TO BE COPIED OR TRANSFERRED