

Mar.1.2020 Copyright 2020 HIROSE ELECTRIC CO., LTD. All Rights Reserved.
In case of consideration for using Automotive equipment / device which demand high reliability, kindly contact our sales window correspondents.

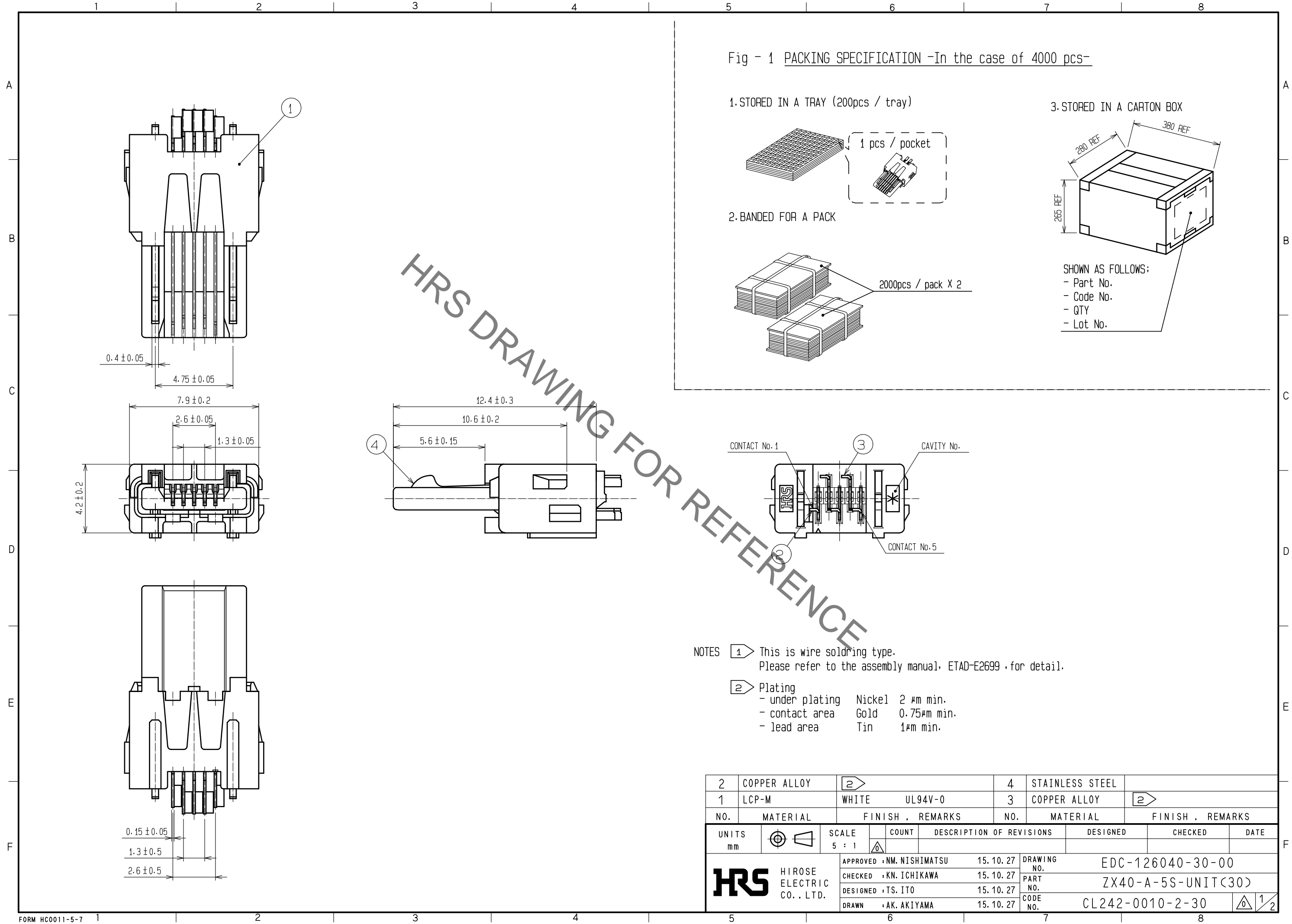
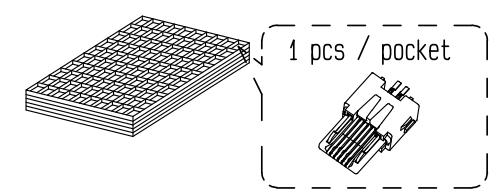
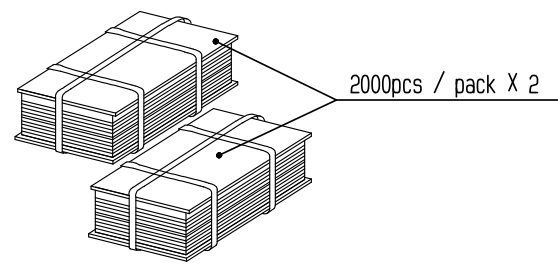


Fig - 1 PACKING SPECIFICATION -In the case of 4000 pcs-

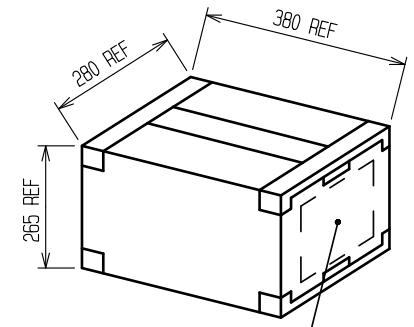
1. STORED IN A TRAY (200pcs / tray)



2. BANDED FOR A PACK



3. STORED IN A CARTON BOX



SHOWN AS FOLLOWS:
- Part No.
- Code No.
- QTY
- Lot No.

- NOTES
- ① This is wire soldering type.
Please refer to the assembly manual, ETAD-E2699, for detail.
 - ② Plating
 - under plating Nickel 2 μm min.
 - contact area Gold 0.75 μm min.
 - lead area Tin 1 μm min.

2	COPPER ALLOY	②	4	STAINLESS STEEL	
1	LCP-M	WHITE UL94V-0	3	COPPER ALLOY	②
NO.	MATERIAL	FINISH . REMARKS	NO.	MATERIAL	FINISH . REMARKS
UNITS	⊕	SCALE	COUNT	DESCRIPTION OF REVISIONS	
mm		5 : 1	△	DESIGNED	CHECKED
APPROVED : NM. NISHIMATSU		15.10.27	DRAWING NO. EDC-126040-30-00		
CHECKED : KN. ICHIKAWA		15.10.27	PART NO. ZX40-A-5S-UNIT(30)		
DESIGNED : TS. ITO		15.10.27	CODE NO. CL242-0010-2-30		
DRAWN : AK. AKIYAMA		15.10.27	1/2		

Mar.1.2020 Copyright 2020 HIROSE ELECTRIC CO., LTD. All Rights Reserved.
In case of consideration for using Automotive equipment / device which demand high reliability, kindly contact our sales window correspondents.

3 Fig - 2 SHIELDING-PLATE ASSEMBLY

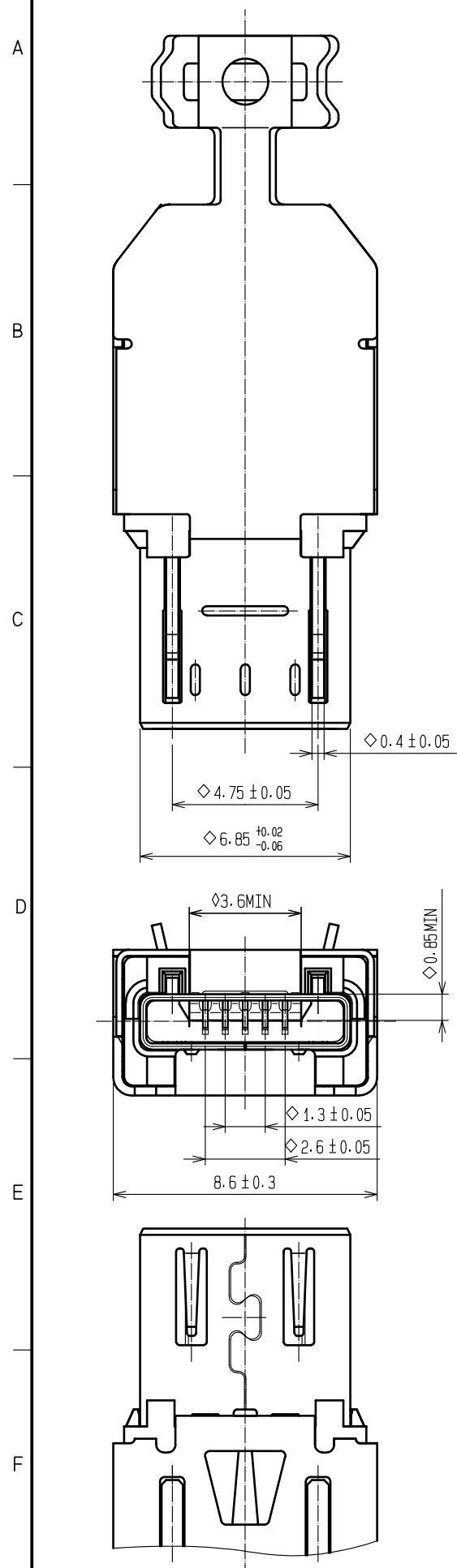
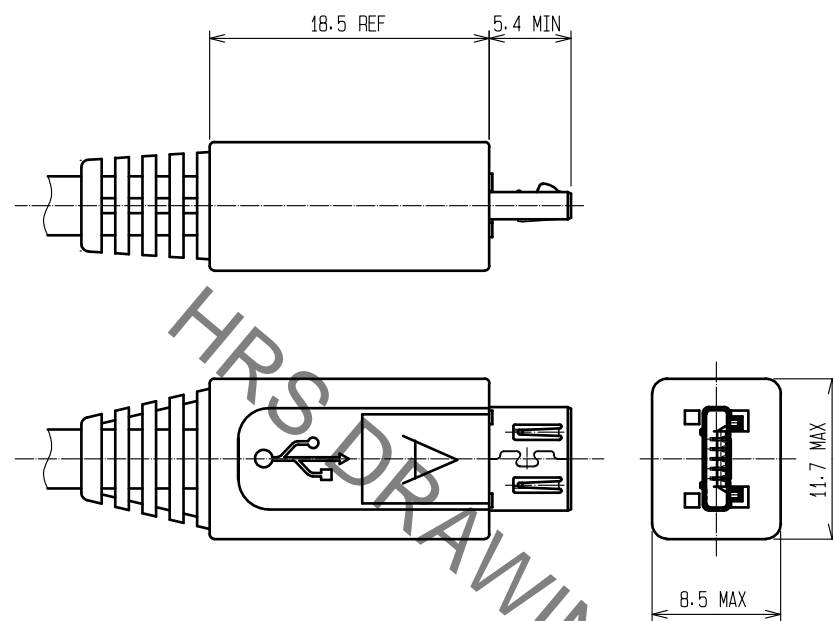
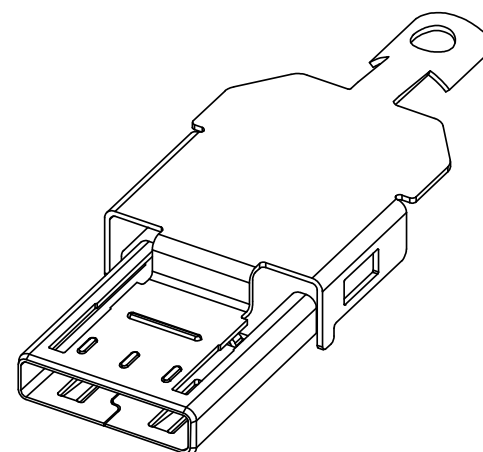


Fig - 3 OVER-MOLDING
(Refer to USB specification)

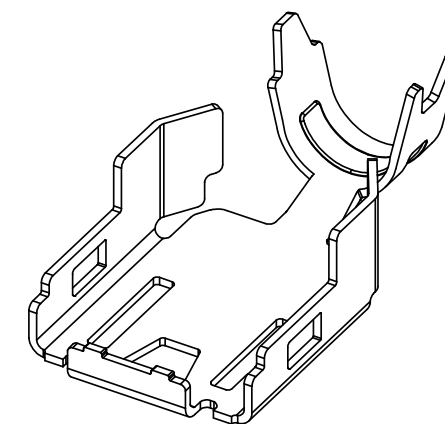


3 ZX40-A-SLDA
Code No. CL242-0011-5



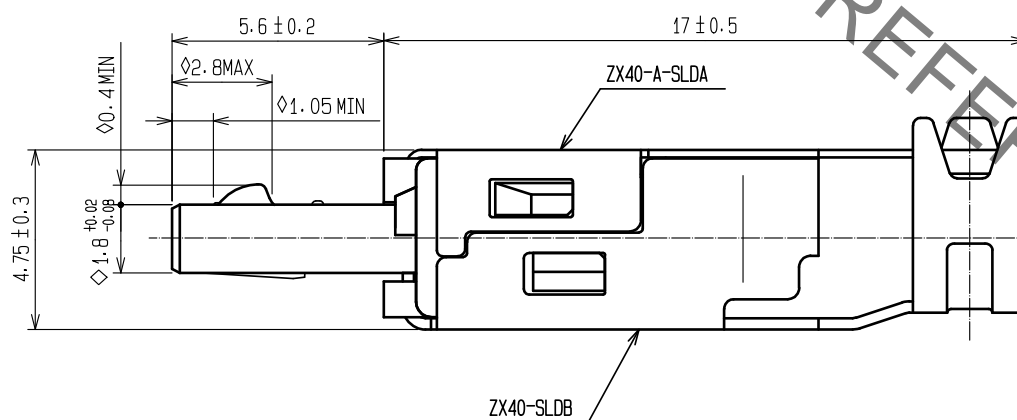
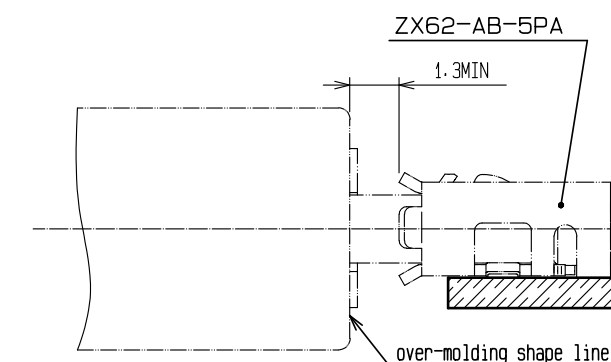
Note:
- Sold separately
- Delivered by the reel

3 ZX40-SLDB
Code No. CL242-0004-0



Note:
- Sold separately
- Delivered by the reel
- Applied to $\phi 3.8 \text{ mm}$ cable

Fig - 4 MATED CONDITION



NOTES 3 Shielding-plates, ZX40-A-SLDA and ZX40-SLDB, are used for assembly.
4 * ϕ *symbol added to each dimension means critical dimension on USB specification. Please check them after over-molding.

HRS	DRAWING NO.	EDC-126040-30-00	2/2
	PART NO.	ZX40-A-5S-UNIT(30)	
	CODE NO.	CL242-0010-2-30	