

TLA.

Hook clamps



INOX
Stainless Steel



technical informations

Standard executions

- TLA: basic hook clamp.
- TLAL: hook clamp with padlock hole.
- TLAS: hook clamp with security stop and technopolymer push button in RAL 3000 red colour or with stainless steel spring.

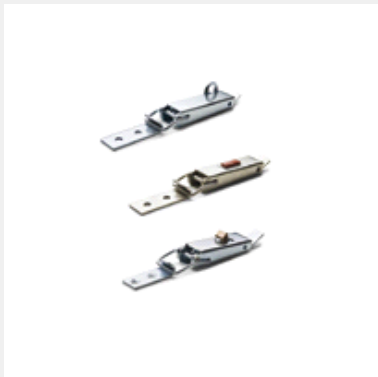
Indexes to add to the above-mentioned standard executions:

- Z: lever body and bracket in zinc-plated steel.
- S: lever body and bracket in AISI 304 stainless steel.
- NH: lever body and bracket in nickel-plated steel.

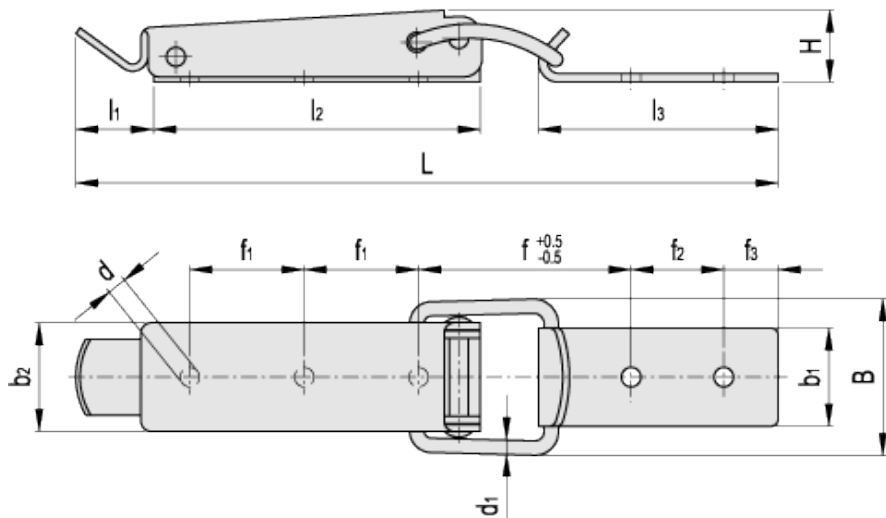
Special executions on request

- Unplated steel hook clamps.
- Catch brackets in different shapes and finishes.

Radial strength tests

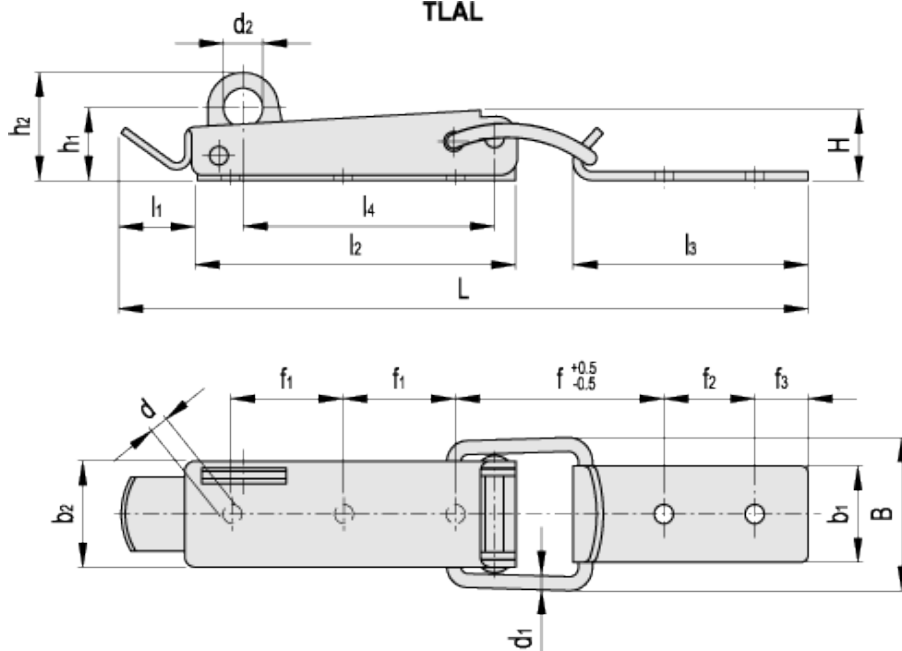


TLA



Standard Elements				Main dimensions														Maximum working load	Load at breakage	Weight
Code	Description	Code	Description	L	B	H	b ₁	b ₂	d ₁	l ₁	l ₂	l ₃	d	f	f ₁	f ₂	f ₃			
420081	TLA.Z-16.4/102+R	420082	TLA.SST-16.4/102+R	102	23	11	13	16.4	2	16	44	30.3	2	34.5	12.5	12	5	550	1200	31
420061	TLA.Z-23/140.5+R	420062	TLA.SST-23/140.5+R	140.5	34	12.5	19	23	3	16	70	43	4.1	38	22.5	20	8	1500	3000	78
420051	TLA.Z-30/193.5+R	420052	TLA.SST-30/193.5+R	193.5	43	19	27	30	4	21.5	90	66	5.3	58.5	31.5	25.5	15	2000	4000	188

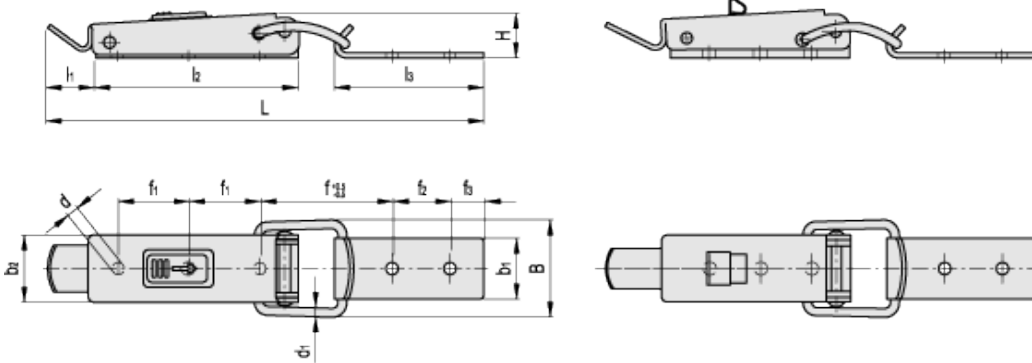
TLAL



Standard Elements				Main dimensions																Maximum working load	Load at breakage		
Code	Description	Code	Description	L	B	H	b ₁	b ₂	d ₁	l ₁	l ₂	l ₃	d	f	f ₁	f ₂	f ₃	d ₂	h ₁			h ₂	l ₄
420085	TLAL.Z-16.4/102+R	420086	TLAL.SST-16.4/102+R	102	23	11	13	16.4	2	16	44	30.3	2	34.5	12.5	12	5	4	11.5	15.5	34.5	550	1200
420063	TLAL.Z-23/140.5+R	420064	TLAL.SST-23/140.5+R	140.5	34	12.5	19	23	3	16	70	43	4.1	38	22.5	20	8	7	13	20	55	1500	3000
420053	TLAL.Z-30/193.5+R	420054	TLAL.SST-30/193.5+R	193.5	43	19	27	30	4	21.5	90	66	5.3	58.5	31.5	25.5	15	11	20.5	30.5	71	2000	4000

TLAS-30/193.5+R

TLDS-16.4/102+R



Standard Elements				Main dimensions											Maximum working load	Load at breakage	Weight			
Code	Description	Code	Description	L	B	H	b ₁	b ₂	d ₁	l ₁	l ₂	l ₃	d	f	f ₁	f ₂	f ₃	[N]	[N]	g
420083	TLAS.Z-16.4/102+R	420084	TLAS.SST-16.4/102+R	102	23	11	13	16.4	2	16	44	30	3.2	34.5	12.5	12	5	550	1200	32
420055	TLAS.NH-30/193.5+R	420056	TLAS.S-30/193.5+R	193.5	43	19	27	30	4	21.5	90	66	5.3	58.5	31.5	25.5	15	2000	4000	185



ELESA and GANTER models all rights reserved in accordance with the law. Always mention the source when reproducing our drawings.

STANDARD MACHINE ELEMENTS WORLDWIDE