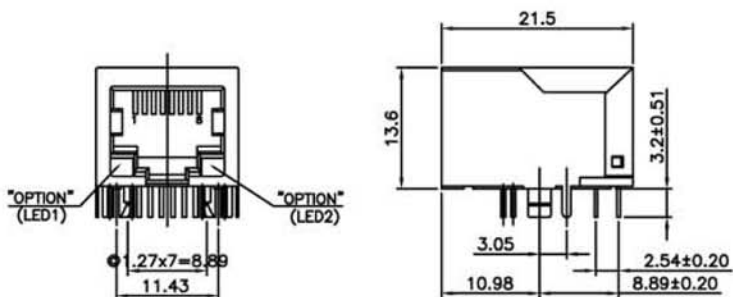
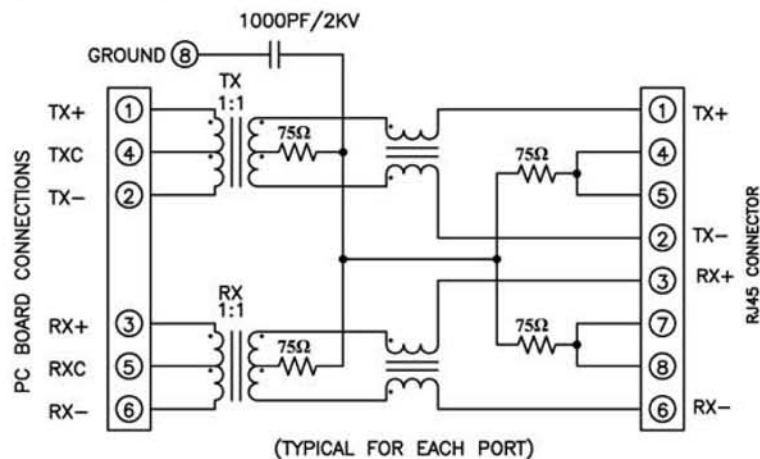


PC Board Layout
Component Side Shown



Schematic:



Characteristics Description:

1. RJ45 10/100 Base-Tx Transformer Jack With Transformer/ Impedance Resistor/High Voltage Capacitor.
2. Size Same As RJ-45 Modular Jack To Save PCB Board Space.
3. Reduce EMI Radiation, Improve EMI Performance.
4. Designed For Network Interface Card Application.
5. Designed To Meet IEEE 802.3u Requirement.
6. Designed For 100 Base Transmission over UTP-5 Cable.

Electrical Specification:

1. Inductance At 100 KHZ, 100 mV DC Bias: 350 uH MIN
2. C W/W (PF MAX): 40 PF
3. Leakage Inductance At 100 KHZ DC 100 mV: 0.3 uH MAX
4. Insertion Loss: 1.0 dB MAX @ 1-80 MHZ
1.2 dB MAX @ 100 MHZ
5. Return Loss: 14 dB MIN @ 1-60 MHZ
10 dB MIN @ 60-100 MHZ
6. Cross Talk: 35 dB MIN @ 1-80 MHZ
7. ISOLATION VOLTAGE: @60HZ1500Vrms AC (INPUT TO OUTPUT) 60SEC.

Mechanical:

1. Housing Material : NYLON66 +25%.G.F UL94V-0
2. Insert Material : PBT+30%.G.F UL94V-0
3. Contact Mateial : Phosphor Bronze t=0.35mm.
4. Plating : 1: Contact Area- Selectine Gold Plating.
2: Tails-Tin Over Nickel
5. Operating Life : 750 Cycles Min.
6. Pcb Retention Pre-Solder : 1 Lb Min.
7. Pcb Retention Post-Solder : 10 Lbs Min.
8. SHIELD: 0.25mm THICKNESS BRASS,(C2680 H);
SHIELD PLATED Nickel

Environmental:

1. Storage : -40°C To+85°C.
 2. Operation : -40°C To+85°C.
 3. Wave Soldering Temperature: 260°C (5 SECONDS)
- Mates With Modular Plug Conforming To
Fcc Part 68, Subpart F.

LED SPECIFICATIONS:

- | | | |
|-----------------------------|-----------|-----------|
| - COLOR: | YELLOW | GREEN |
| - FORWARD VOLTAGE(20mA) | 2.5V(MAX) | 2.5V(MAX) |
| - FORWARD VOLTAGE(20mA) | 2.1V(TYP) | 2.2V(TYP) |
| - POWER DISSIPATION: | 105mW | 105mW |
| - WAVE LENGTH: | 590nm | 565nm |
| - LUMINOUS INTENSITY(10mA): | 2-8MCD | 8-32MCD |

Ordering Information

LMJ362 884X TA753
a

- a. Contact Plating
1: 15u" gold
2: 30u" gold
3: 50u" gold
4: 6u" gold



TOLERANCE (mm)	APPROVALS	DATE	TITLE	AMPHENOL
X. ±0.3	DRAWN Stephane	2010/05/13	Transformer RJ45 Dip R/A w/LED	Amphenol European Design Center
XX ±0.2	CHECKED Rob	2010/05/13		
X.XX ±0.15	APPROVED Rob	2010/05/13		
UNLESS OTHERWISE SPECIFIED	UNIT: mm		SIZE: A4	DRAWING N°
			LMJ362884XTA753	Scale N.A. Sheet 1 of 1
				REV. A