

FEATURES AND SPECIFICATIONS

Features and Benefits

- 4-point contact
- Anti-fishhooking contact design

Reference Information

Packaging: Reel or bag
 Tooling Information: See end of section
 Use With: 5195-N, 5196-N, 5197-N, 5198-N,
 5199-N and 43061 housings
 Designed In: Millimeters

Electrical

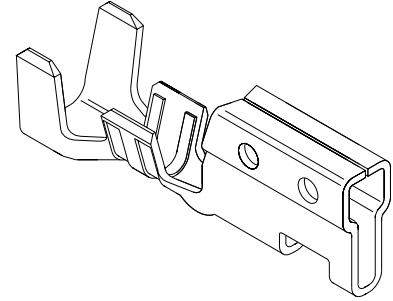
Voltage: 250V
 Current:
 5194—7.0A max. (Brass) or 5.0A (Phosphor Bronze)
 5225—4.0A max.
 Contact Resistance: 10mΩ max.
 Dielectric Withstanding Voltage: 1500V AC/1 min.
 Insulation Resistance: 1000 MΩ min.

Physical

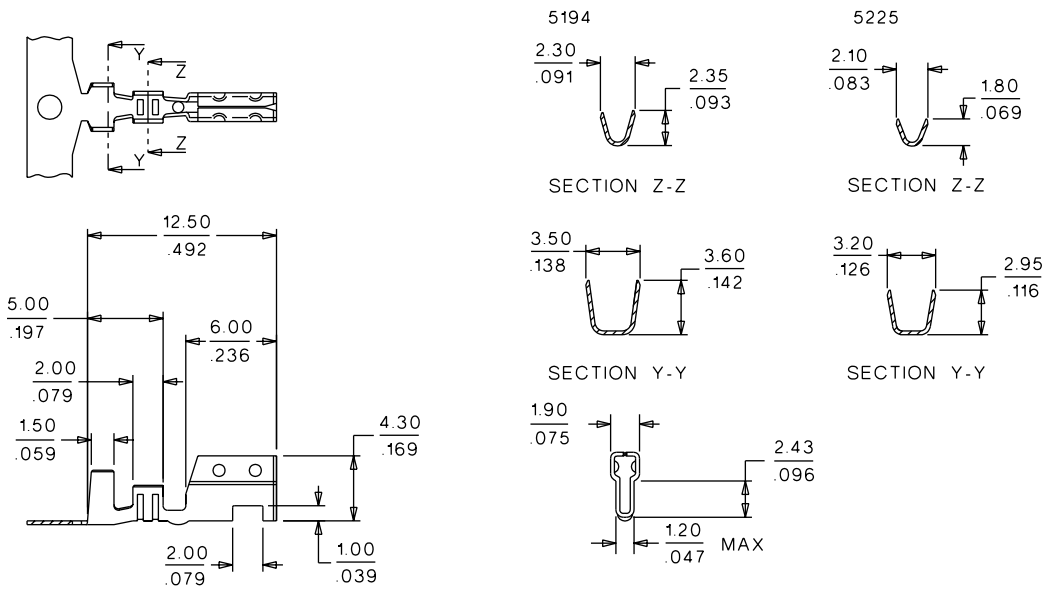
Contact: 5194—Brass and Phosphor Bronze
 5225—Brass
 Plating: Tin
 Operating Temperature: -40 to +105°C
 Wire Accommodation: 5194—18 to 24 AWG
 5225—22 to 28 AWG
 Strip Length: 3.0 to 3.5mm



3.96mm (.156") Pitch SPOX™ Crimp Terminal 5194/5225 Spring Box



CATALOG DRAWING (FOR REFERENCE ONLY)



ORDERING INFORMATION AND DIMENSIONS

Order No.	Terminal	Wire Gauge AWG	Insulation Diameter	Contact Material
08-70-1031	Reel	18-24	1.30-3.20mm	Tin-Plated Brass
08-70-1030	Bag			Tin-Plated Phosphor Bronze
39-00-0021	Reel			Tin-Plated Phosphor Bronze
39-00-0022	Bag	22-28	1.20-2.60mm	Tin-Plated Brass
08-70-1029	Reel			Tin-Plated Brass
08-70-1028	Bag			Tin-Plated Brass

Recommended wire range assumes stranded wire

D
 3.00 to 7.92mm (.118 to .312") Pitch