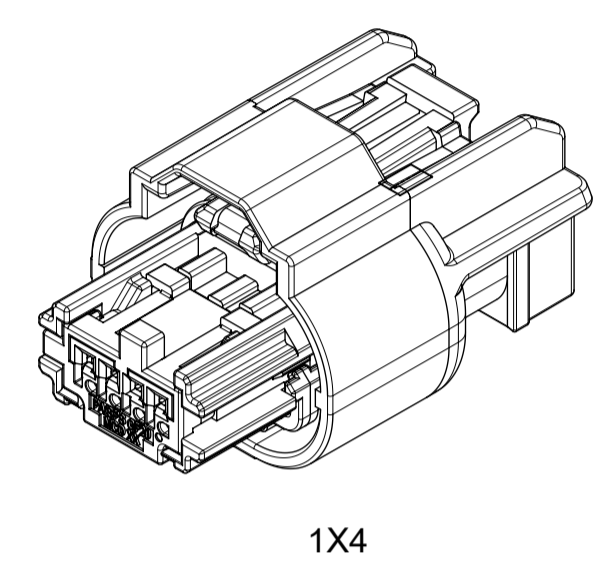


TABLE OF CONTENTS	
SHEET NO.	SHEET DESCRIPTION
1	NOTES AND BOM
2	CONFIGURATIONS
3	RECEPTACLE CONNECTOR ASSEMBLY

PART NUMBER AND MATING INTERFACE CHART						
PART NUMBER	KEY	COVER COLOR	TERMINAL POSITIONS PLUGGED	CPA INCLUDED	INTERFACE PART NUMBER	
349674001	A	BLACK	NONE	YES	349684801	
349674002	B	LIGHT GRAY	NONE	YES	349684802	
349674003	C	DARK GRAY	NONE	YES	349684803	
349674004	D	STONE GRAY	NONE	YES	349684804	
349674021	A	BLACK	2	YES	349684801	
349674005	A	BLACK	NONE	NO	349684801	
349674006	B	LIGHT GRAY	NONE	NO	349684802	
349674007	C	DARK GRAY	NONE	NO	349684803	
349674008	D	STONE GRAY	NONE	NO	349684804	
349674025	A	BLACK	2	NO	349684801	

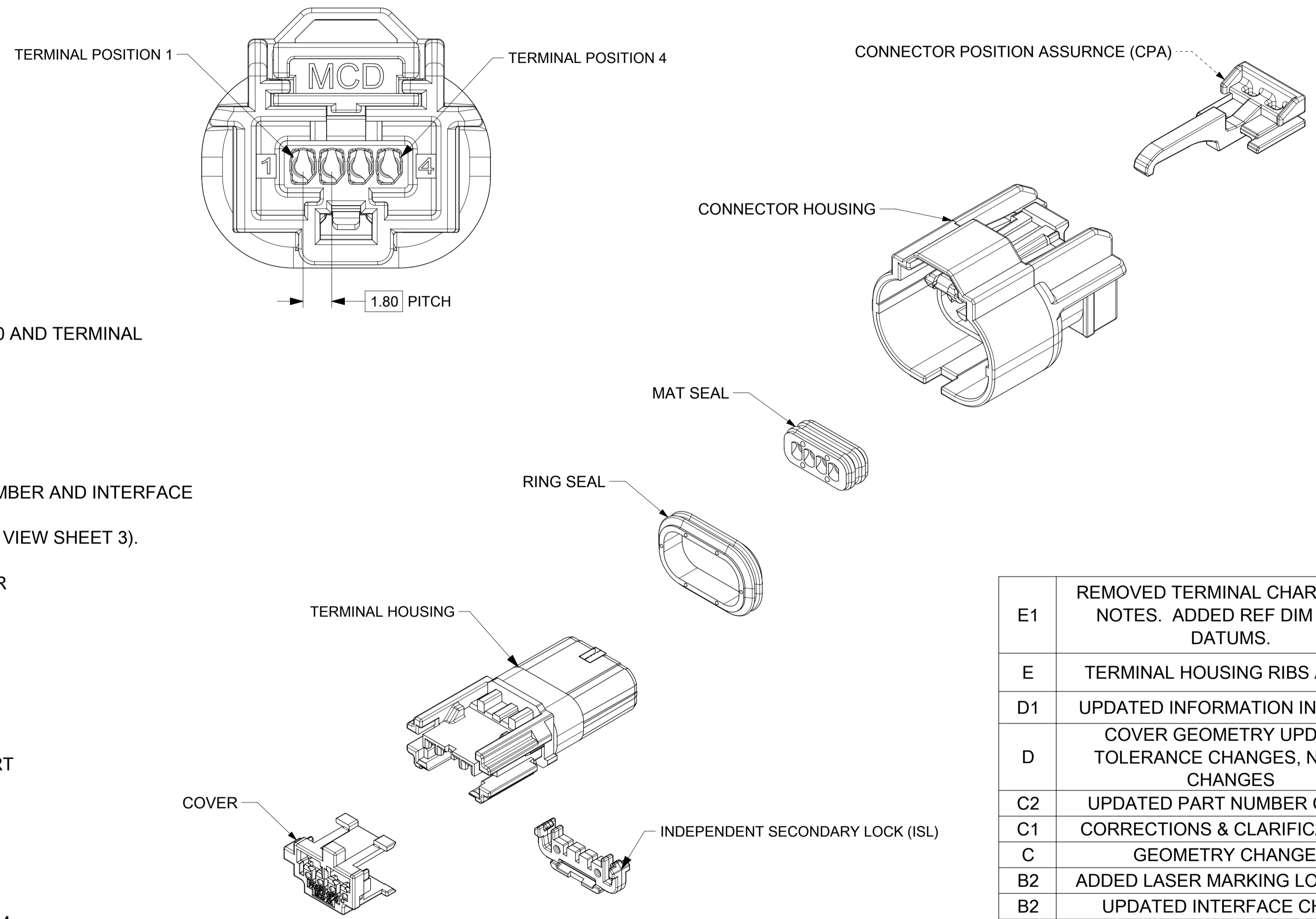


1X4

NOTES: VALID UNLESS OTHERWISE SPECIFIED

1. GENERAL:
  - A. APPLICATION SPECIFICATION SEE: AS-34894-0001  
-CONTAINS: PRODUCT INTRODUCTION, PRODUCT SUMMARY, CONNECTOR ASSEMBLY, PACKAGING INFORMATION, CONNECTOR MATING, SERVICE INSTRUCTIONS, ELECTRICAL CONTINUITY CHECKING, CRIMPING, AND TROUBLESHOOTING.
  - B. TERMINALS TO BE USED WITH THIS ASSEMBLY:  
MOLEX CTX50 SEALED RECEPTACLE TERMINALS FOR INFORMATION ON TERMINALS SEE MOLEX DRAWING 349050400 AND TERMINAL PRODUCT SPECIFICATION PS-34905-001.
  - C. CONNECTOR PRODUCT SPECIFICATION SEE 349670001 PS  
CONTAINS: PRODUCT INTRODUCTION, PRODUCT SUMMARY, RATINGS AND PRODUCT VALIDATION.  
VALIDATED TO USCAR 2 REV 6.  
RATINGS: T3 V1 S2
  - D. DESIGNED TO MATE WITH DEVICE INTERFACE AS SPECIFIED IN PART NUMBER AND INTERFACE CHART. SEE MOLEX DRAWING 349684800 FOR INTERFACE SPECIFICATION.
  - E. ASSEMBLY SHIPPED WITH ISL IN PRE-LOCK POSITION (SEE ISL PRE-LOCK VIEW SHEET 3).
  - F. PACKAGING SPECIFICATION PER MOLEX DRAWING: PK-31301-898
  - G. PARTS MUST BE IN COMPLIANCE TO MOLEX CHEMICAL SUBSTANCES FOR PRODUCTS AND PACKAGING SPECIFICATION: ES-40000-5016
  - H. DATA MUST BE SUBMITTED UNDER THE MOLEX PART NUMBER TO IMDS (COMPANY ID#13255)
2. DESIGN - MATERIALS:
 

CONNECTOR HOUSING:	SPS/NYLON GF20 BLACK
TERMINAL HOUSING:	SPS/NYLON GF20 BLACK
COVER:	SPS/NYLON GF20 COLORS IN PART NUMBER CHART
ISL:	SPS GF30 NATURAL
MAT SEAL:	INHERENTLY LUBRICATED SILICONE LIGHT BLUE
RING SEAL:	INHERENTLY LUBRICATED SILICONE RUST RED
CPA (OPTIONAL):	PBT GF30 RED
3. DESIGN - GEOMETRY:
  - A. ALL GRAPHIC DATA IS BASIC (NO TOLERANCE) AND MUST BE TAKEN FROM THE DATA FILE AT ITS LATEST REVISION.
  - B. GEOMETRIC DIMENSIONS AND TOLERANCES PER ASME Y14.5M-2009
  - C. EDGES AND UNDIMENSIONED DETAILS PER ISO13715
  - D. CORNERS SHOWN AS SHARP TO BE R 0.2 MAX.
  - E. LETTERING SHALL BE 0.15 MAX RAISED IN 0.25 MAX RECESS PAD.  
THIS INCLUDES RECYCLING CODE, CAVITY ID, VENDOR IDENTIFICATION, AND CUSTOMER MATERIAL NUMBER.
  - F. VISUAL DEFECTS SHALL MEET COSMETIC STANDARD PS-45499-002 (Class B).
  - G. PARTS ARE LASER MARKED WITH PART NUMBER AND DATE CODE

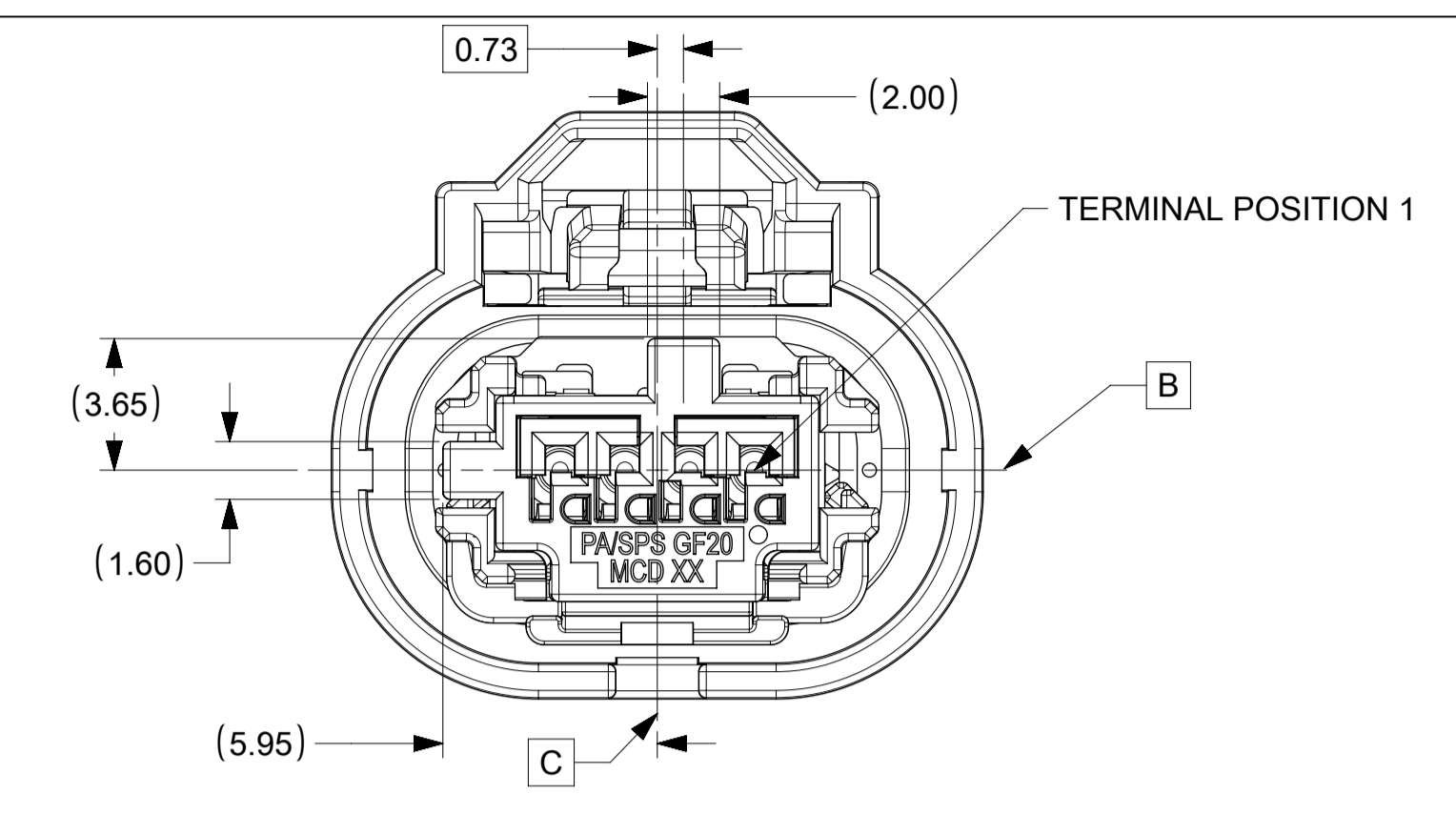


E1	REMOVED TERMINAL CHART FROM NOTES. ADDED REF DIM TO ID DATUMS.
E	TERMINAL HOUSING RIBS ADDED
D1	UPDATED INFORMATION IN NOTES
D	COVER GEOMETRY UPDATE, TOLERANCE CHANGES, NOTES CHANGES
C2	UPDATED PART NUMBER CHART
C1	CORRECTIONS & CLARIFICATIONS
C	GEOMETRY CHANGES
B2	ADDED LASER MARKING LOCATION
B1	UPDATED INTERFACE CHART
B	COMPONENT MODEL UPDATE
A1	UPDATED VIEWS & INTERFACE CHART
A	MINOR UPDATES
1	INITIAL RELEASE
REV	REV DESCRIPTION

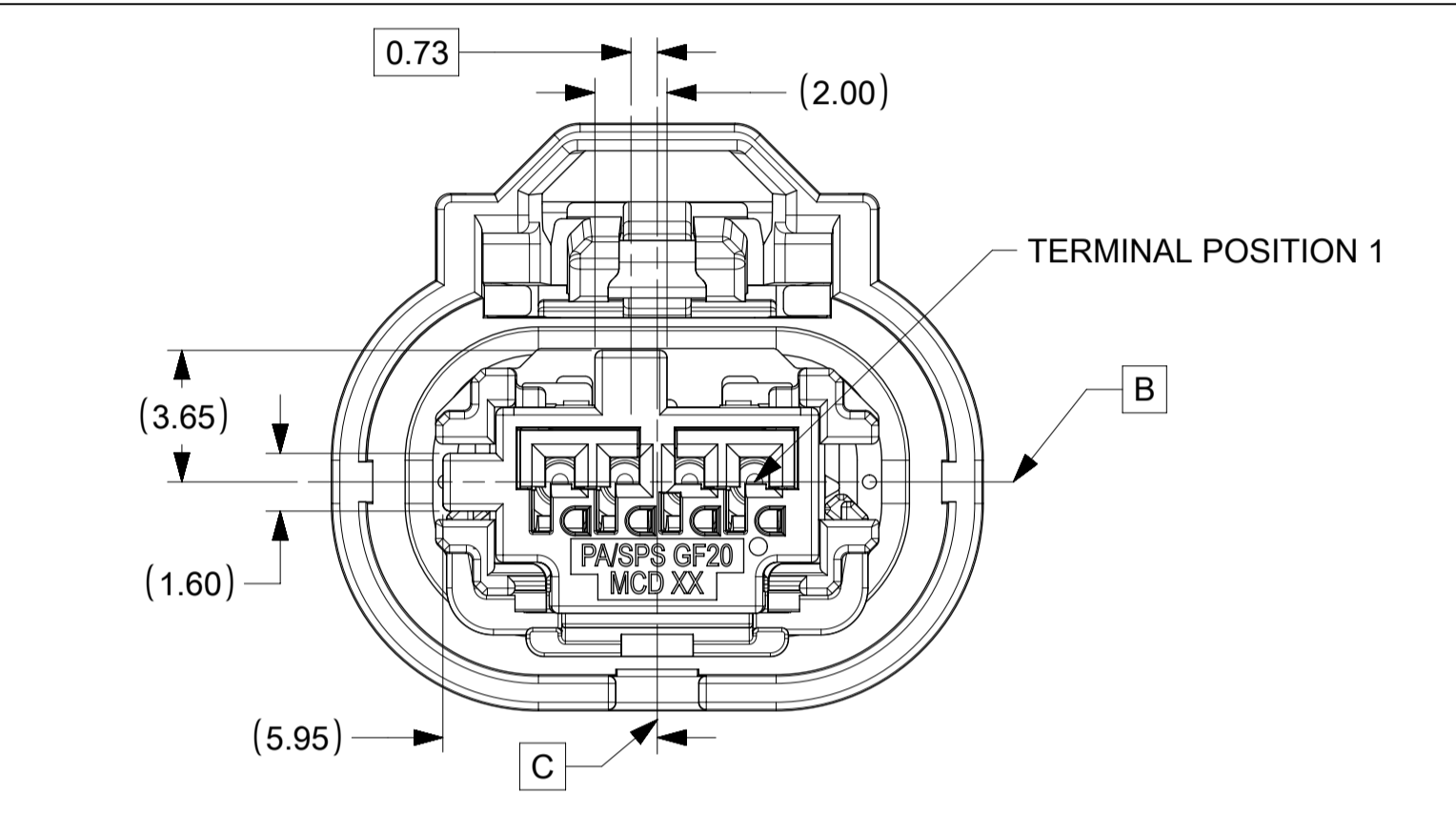
INSPECTION NUMBER LOG	
LAST NUMBER:	15
ADDED:	
REMOVED:	2,4,7,8,9,13,14

QUALITY SYMBOLS FA = 0 FE = 0 FE = 0 ▼ = 0 C = 0 ☒ = 0 ■ = 0 ∇ = 0	EC NO: 608214 DRWN: JRUTTER CHKD: JRUTTER REV APPR: JCONDON	2018/10/18 2018/10/22 2018/10/25	GENERAL TOLERANCES (UNLESS SPECIFIED) ANGULAR TOL ± 3.0 ° 4 PLACES ± 3 PLACES ± 2 PLACES ± 0.1 1 PLACE ± 0.2 0 PLACES ±	DIMENSION UNITS: mm SCALE: 1:1 DRWN BY: MNS02 DATE: 2016/04/26 CHK'D BY: DATE APPR BY: KDEKOSKI DATE: 2016/05/19			
		THIS DRAWING CONTAINS INFORMATION THAT IS PROPRIETARY TO MOLEX ELECTRONIC TECHNOLOGIES, LLC AND SHOULD NOT BE USED WITHOUT WRITTEN PERMISSION				PRODUCT CUSTOMER DRAWING	
		DRAFT WHERE APPLICABLE MUST REMAIN WITHIN DIMENSIONS		DRAWING SIZE: A1 THIRD ANGLE PROJECTION			SERIES: 34967 MATERIAL NUMBER: SEE CHART CUSTOMER:
		DOCUMENT NUMBER: 349674000		DOC TYPE: PSD DOC PART: 000 SHEET NUMBER: 1 OF 3			

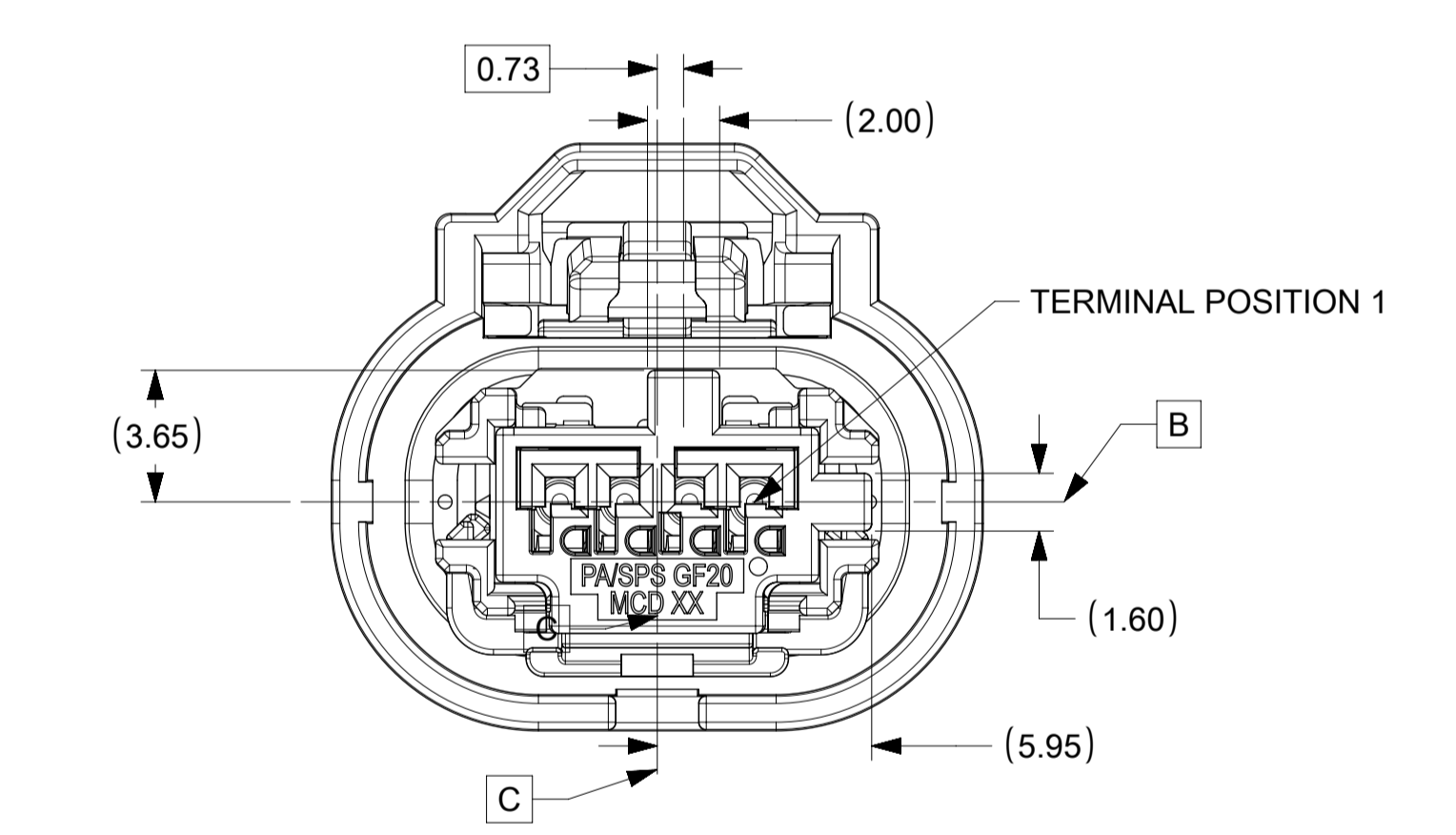
SHEET DESCRIPTION  
KEY CONFIGURATIONS



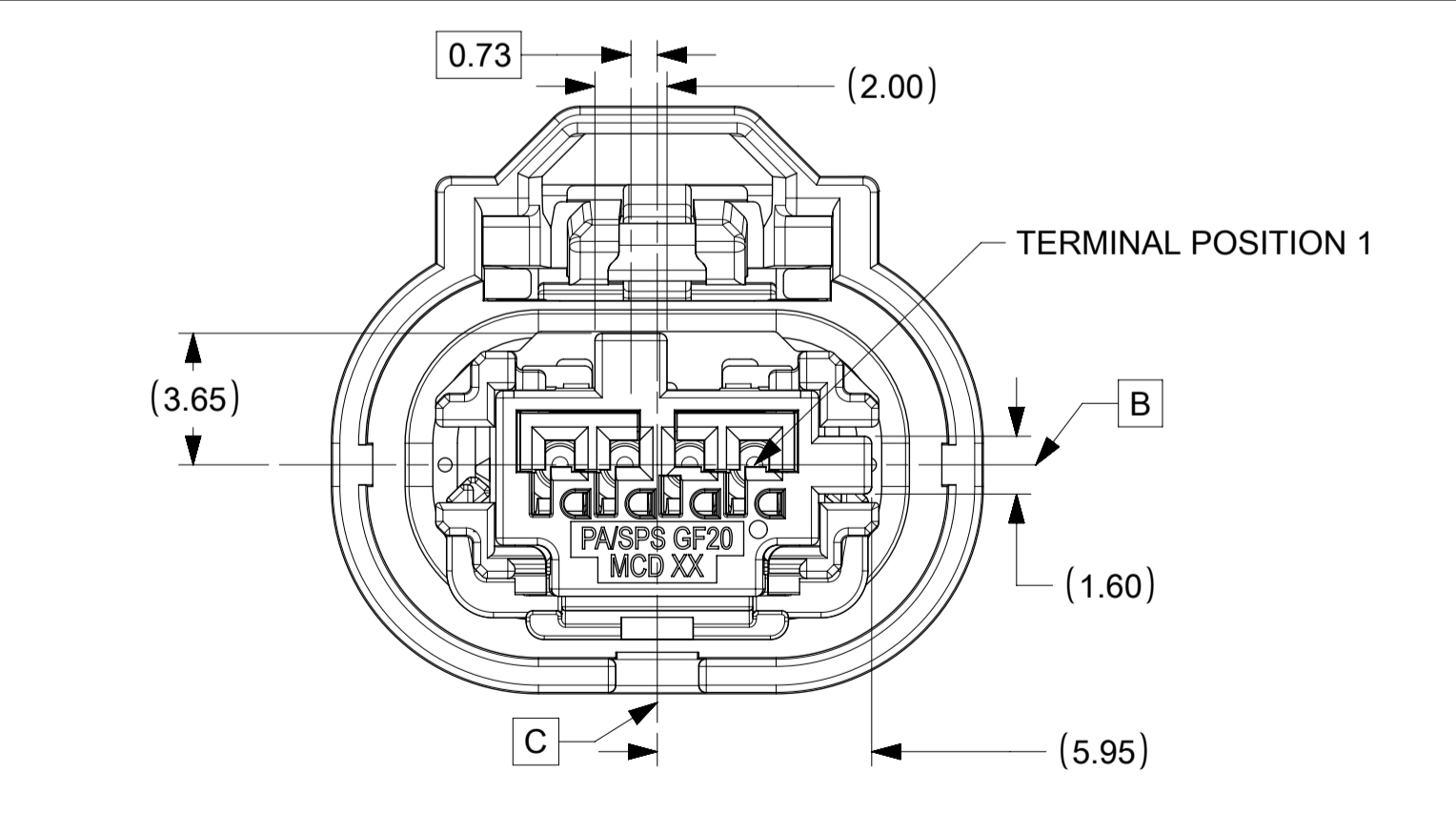
KEY A



KEY B



KEY C



KEY D

THIS DRAWING CONTAINS INFORMATION THAT IS PROPRIETARY TO MOLEX ELECTRONIC TECHNOLOGIES, LLC AND SHOULD NOT BE USED WITHOUT WRITTEN PERMISSION											
QUALITY SYMBOLS	EC NO: 608214 DRWN: JRUTTER CHKD: JRUTTER APPR: JCONDON	GENERAL TOLERANCES (UNLESS SPECIFIED)		DIMENSION UNITS	SCALE						
		ANGULAR TOL ± 3.0 °		mm	1:1						
▽ = 0	2018/10/18 2018/10/22 2018/10/25	4 PLACES ±		DRWN BY	DATE	MINI50 SEALED 1X4 RCPT ASSY					
▽ = 0		3 PLACES ±		MNS02	2016/04/26						
▽ = 0		2 PLACES ± 0.1		CHK'D BY	DATE	PRODUCT CUSTOMER DRAWING					
▽ = 0		1 PLACE ± 0.2		APPR BY	DATE						
▽ = 0		0 PLACES ±		KDEKOSKI	2016/05/19	SERIES	MATERIAL NUMBER	CUSTOMER			
▽ = 0		DRAFT WHERE APPLICABLE MUST REMAIN WITHIN DIMENSIONS		A1	THIRD ANGLE PROJECTION		34967	SEE CHART			
▽ = 0					DOCUMENT NUMBER	DOC TYPE	DOC PART	SHEET NUMBER			
						349674000	PSD	000	2 OF 3		



TABLE OF CONTENTS	
SHEET NO.	SHEET DESCRIPTION
1	INTERFACE NOTES AND BOM
2	INTERFACE KEY CONFIGURATIONS
3	INTERFACE DEFINITION
4	INTERFACE DATUM TARGETS

MATING INTERFACE CHART			
DESCRIPTION	COLOR	MODEL NUMBER	KEY
1x4, KEY A, BLACK	BLACK	349684801	A
1x4, KEY B, LIGHT GRAY	LIGHT GRAY	349684802	B
1x4, KEY C, DARK GRAY	DARK GRAY	349684803	C
1x4, KEY D, STONE GRAY	STONE GRAY	349684804	D

NOTES: VALID UNLESS OTHERWISE SPECIFIED

1. GENERAL:

REFER TO "SAE/USCAR 12 CONNECTOR GUIDELINES" AND "SAE/USCAR 2 PERFORMANCE SPECIFICATION FOR AUTOMOTIVE ELECTRICAL CONNECTOR SYSTEMS" FOR ADDITIONAL REQUIREMENTS.

2. DESIGN - MATERIALS:

- a. HOUSING: SPS/NYLON 20% GLASS FILLED OR EQUIVALENT  
FLAMMABILITY REQUIREMENT: PER ISO3795 OR GM3191
  - 1. BURN RATE 100mm/MIN MAXIMUM
  - 2. MATERIAL MUST BE SELF EXTINGUISHING
- b. BLADE TERMINAL: SEE MOLEX SALES DRAWING 347350050. FOR MATERIAL, DIMENSIONAL, PLATING AND COATING REQUIREMENTS AND ANY BLADE TERMINAL DESIGN INFORMATION NOT SHOWN ON REFERENCED OR THIS DRAWING SEE EWCAP DWG NO. EWCAP-001.
  - 1. TIN PLATING: 2.5-4.0 MICROMETERS MATTE TIN OVER 1.25-2.25 MICROMETERS DUCTILE SULFAMATE NICKEL
  - 2. SILVER PLATING: 1.9-3.3 MICROMETERS SILVER OVER 1.0-1.8 MICROMETERS DUCTILE SULFAMATE NICKEL.  
ANTI-TARNISH: SYNTHETIC HYDROCARBON CONTACT SURFACE FINISH OR EQUIVALENT APPLIED WITHOUT VOID TO CONTACT AREA

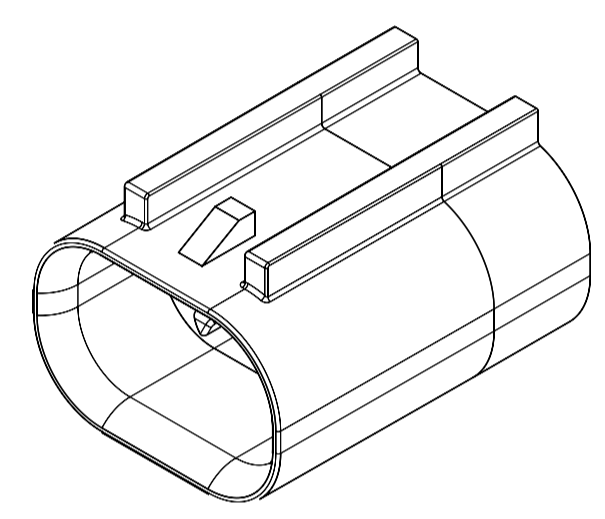
c. STANDARD COLORS FOR KEYING (SEE CHART). DEVIATION REQUIRES APPROVAL OF AUTHORIZED PERSON.

3. DESIGN - GEOMETRY:

- a. THE 3-D CAD DATA IS BASIC (WITHOUT TOLERANCE) AND THE MASTER FOR THIS PART WITH THE EXCEPTION OF UNDERLINED DIMENSIONS. DIMENSIONAL INFORMATION NOT SHOWN IN THIS DRAWING IS DEFINED BY THE DATA FILE AT ITS LATEST REVISION.
- b. PRODUCT DESIGN MODEL NUMBER(S): SEE MATING INTERFACE CHART
- c. GEOMETRIC DIMENSIONS AND TOLERANCES PER ASME Y14.5M - 2009
- d. GENERAL TOLERANCES: SEE TITLE BLOCK
- e. EDGES AND UNDIMENSIONED DETAILS PER ISO13715
- f. CORNERS SHOWN AS SHARP TO BE R 0.2 MAX.
- g. LETTERING SHALL BE 0.15 MAX RAISED IN 0.25 MAX RECESS PAD.  
THIS INCLUDES RECYCLING CODE, CAVITY ID, VENDOR IDENTIFICATION, AND CUSTOMER MATERIAL NUMBER.  
(FOR SMALL PARTS: LETTERING SHALL BE 0.10 MAX RAISED IN 0.15 MAX RECESS PAD)

4. DESIGN - MANUFACTURING:

- a. ALLOWABLE FLASH MAX 0.20 HIGH BY MAX 0.13 THICK.
- b. ALLOWABLE SPLIT/PARTING LINE MISMATCH 0.2 MAX.
- c. EJECTOR PIN MARKS TO BE FLUSH TO 0.25 MAX DEPRESSED. LOCATION MUST BE APPROVED BY PRODUCT ENGINEERING. EJECTOR PIN MARKS NOT PERMISSIBLE ON OR NEAR DATUM TARGET AREA.
- d. ALLOWABLE GATE VESTIGE FLUSH TO 0.25 MAX RECESS. LOCATION MUST BE APPROVED BY PRODUCT ENGINEERING.
- e. NO EXTERNAL MOLD RELEASE AGENT ALLOWED DURING MANUFACTURING.
- f. NO PARTING LINES, MISMATCHES OR EJECTOR MARKS PERMISSIBLE WITHIN THE INDICATED SURFACE. TOOLING FOR INDICATED SURFACE MUST BE PROCESSED TO A SURFACE FINISH OF NTMA #70 (400 PAPER).
- g. BLADE TERMINAL ENVIRONMENTAL BARRIER (USED WITH SILVER PLATED TERMINALS) SHALL NOT BE PRESENT ON ANY SURFACE OTHER THAN THE BLADE TERMINALS
- h. NO PARTING LINES, FLASH, MISMATCHES OR EJECTOR MARKS PERMISSIBLE ON THE INDICATED NOSE SURFACE OR TRANSITION TO INTERNAL SHROUD SURFACE.



1X4

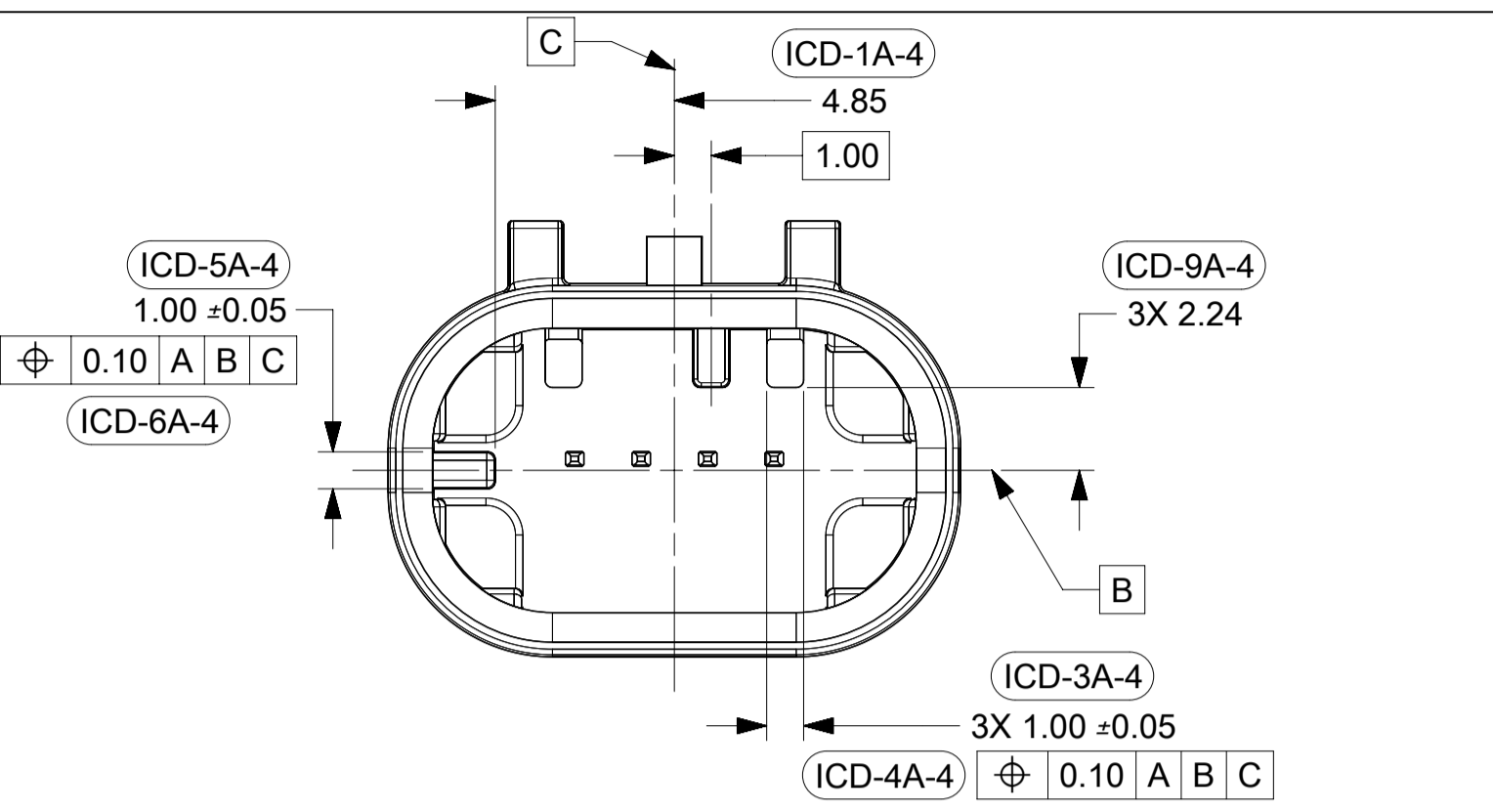
C3	ADDED SEE NOTE 2b TO PIN DETAILS, SHEET 3
C2	REMOVED SUBJECT TO CHANGE NOTE
C1	REVISED NOTES. SIMPLIFIED DIMENSIONING. REMOVED ICD-17, 19, 29, 31. ADDED ICD-3A, 7A, 8A, 9A, 27A. ADDED FP TO 12, 13, 16.
C	GEOMETRY CHANGES
REV	REV DESCRIPTION

INSPECTION NUMBER LOG	
LAST NUMBER:	ICD-31
ADDED:	ICD-21A, 21B, 3A, 7A, 8A, 9A
REMOVED:	ICD-20,23,24,25, 17, 19, 29, 31

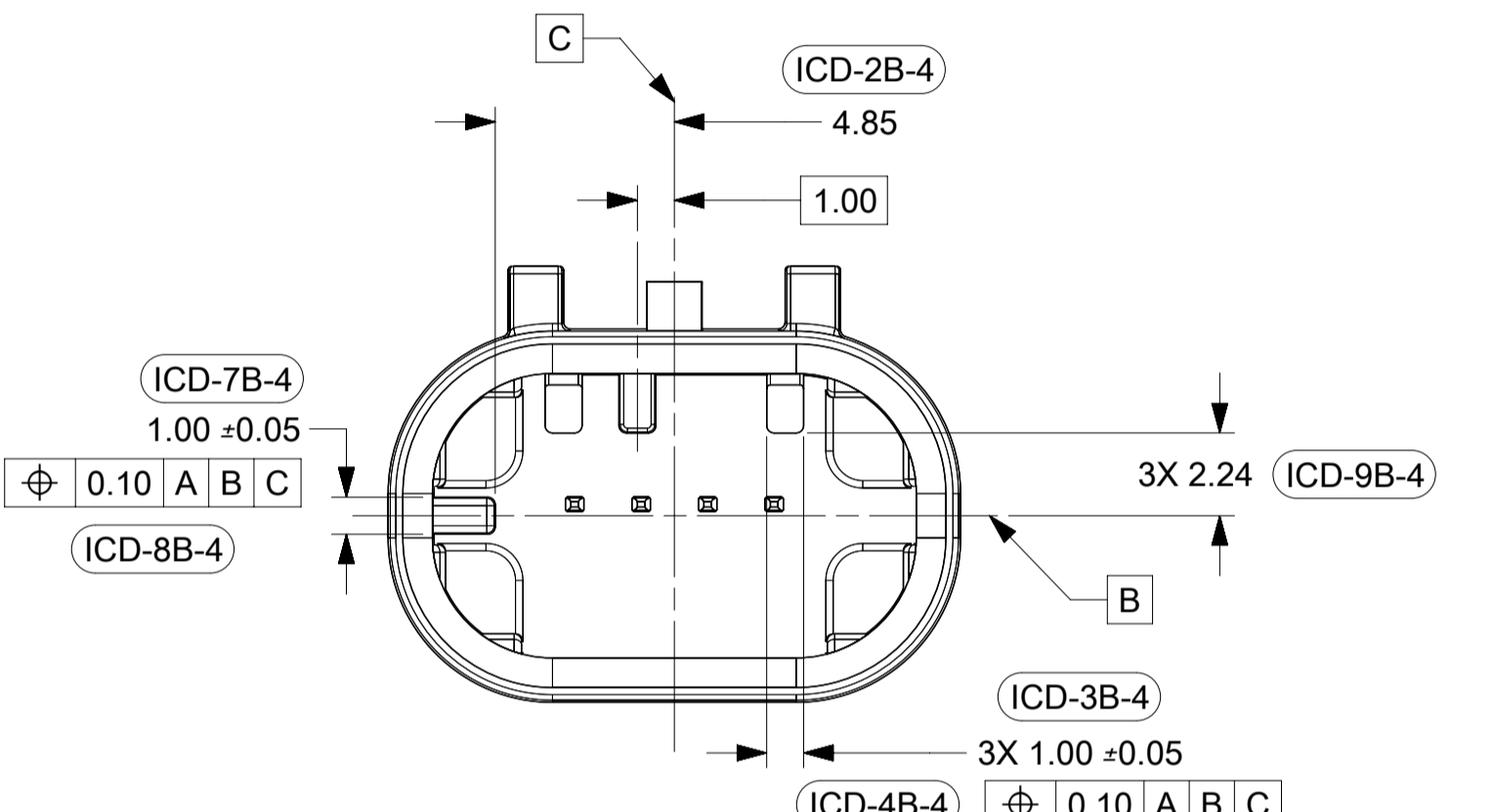
QUALITY SYMBOLS FA = 0 FE = 0 FE = 0 ▼ = 0 C = 0 ☒ = 0 ■ = 0 ∇ = 0	THIS DRAWING CONTAINS INFORMATION THAT IS PROPRIETARY TO MOLEX ELECTRONIC TECHNOLOGIES, LLC AND SHOULD NOT BE USED WITHOUT WRITTEN PERMISSION												
	EC NO: 115351 DRWN: JURUTTER CHKD: KDEKOSKI REV APPR:	2017/04/03	2017/04/13	GENERAL TOLERANCES (UNLESS SPECIFIED)		DIMENSION UNITS	SCALE						
				ANGULAR TOL ± 3.0 °		MM	1:1						
				4 PLACES ±	MNS02	2016/04/21	MINI50 SEALED 1X4 INTERFACE  PRODUCT CUSTOMER DRAWING						
			3 PLACES ±	CHK'D BY	DATE	SERIES	MATERIAL NUMBER	CUSTOMER					
			2 PLACES ± 0.1	KDEKOSKI	2016/05/04	34968	SEE CHART						
			1 PLACE ± 0.2	DRAWING SIZE		THIRD ANGLE PROJECTION	DOCUMENT NUMBER						
			0 PLACES ±	A1			349684800	DOC TYPE	DOC PART	SHEET NUMBER			
			DRAFT WHERE APPLICABLE MUST REMAIN WITHIN DIMENSIONS								PSD	000	1 OF 4

SHEET DESCRIPTION  
KEY CONFIGURATIONS

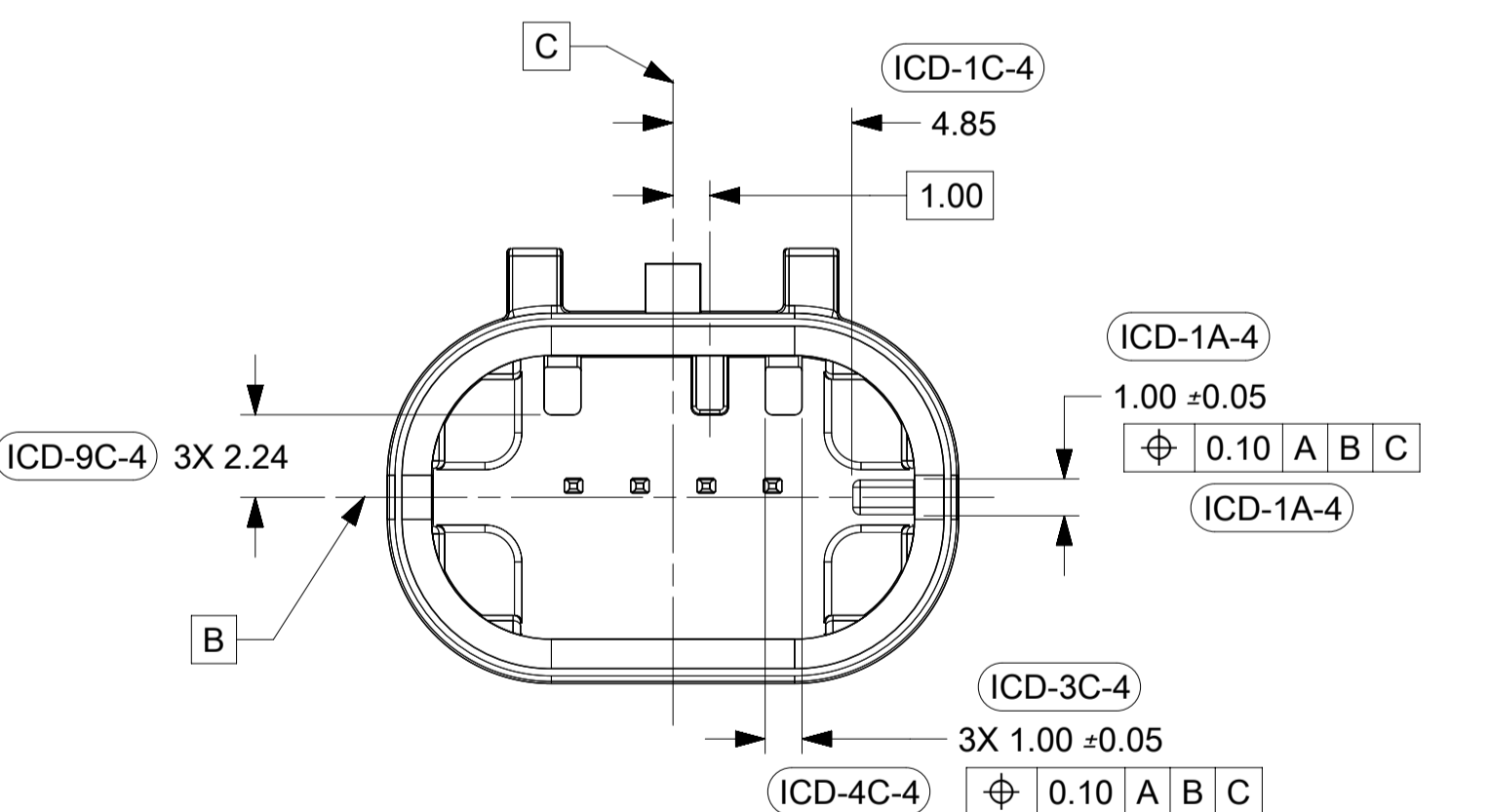
1X4



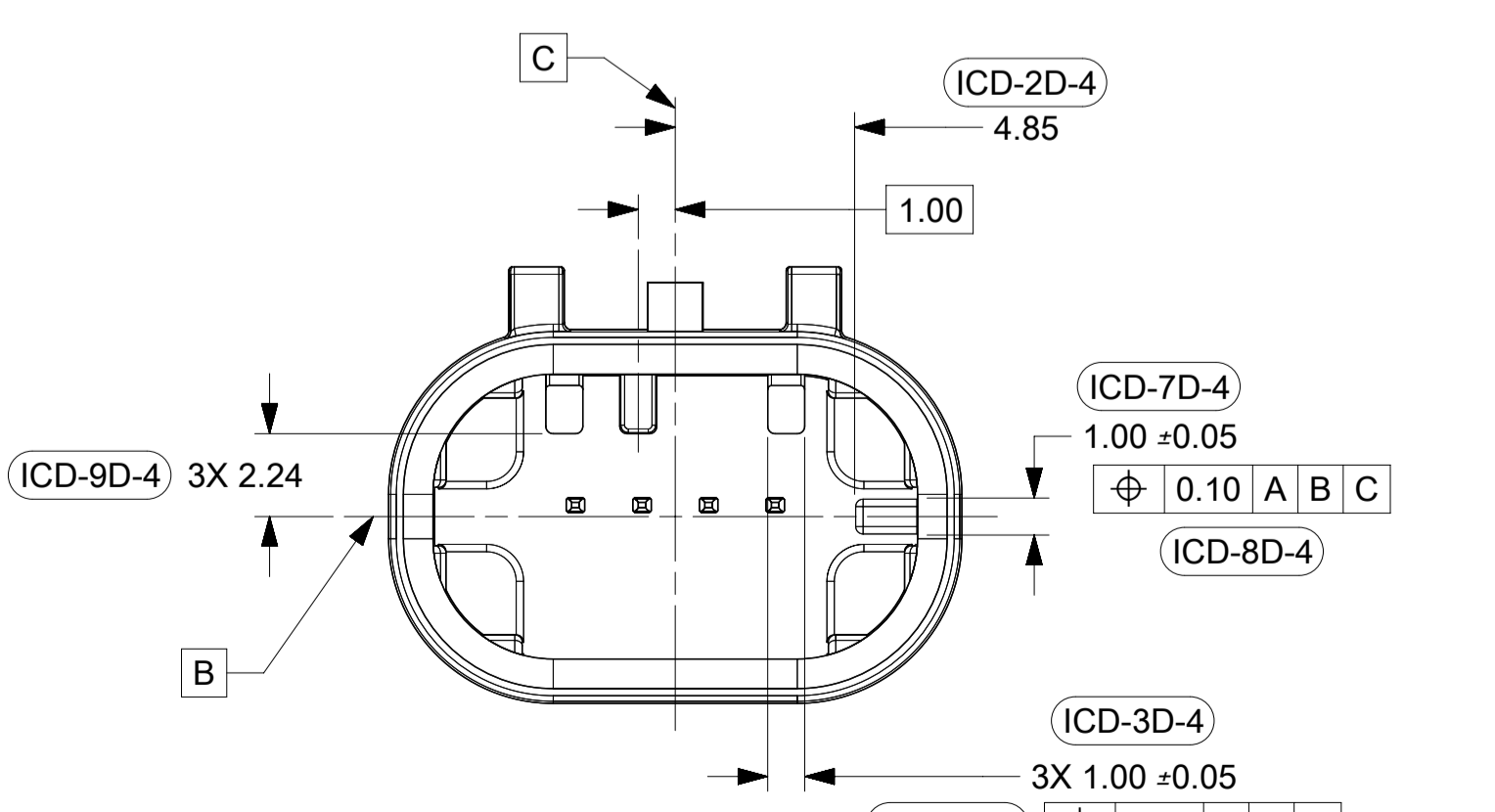
KEY OPTION A



KEY OPTION B



KEY OPTION C



KEY OPTION D

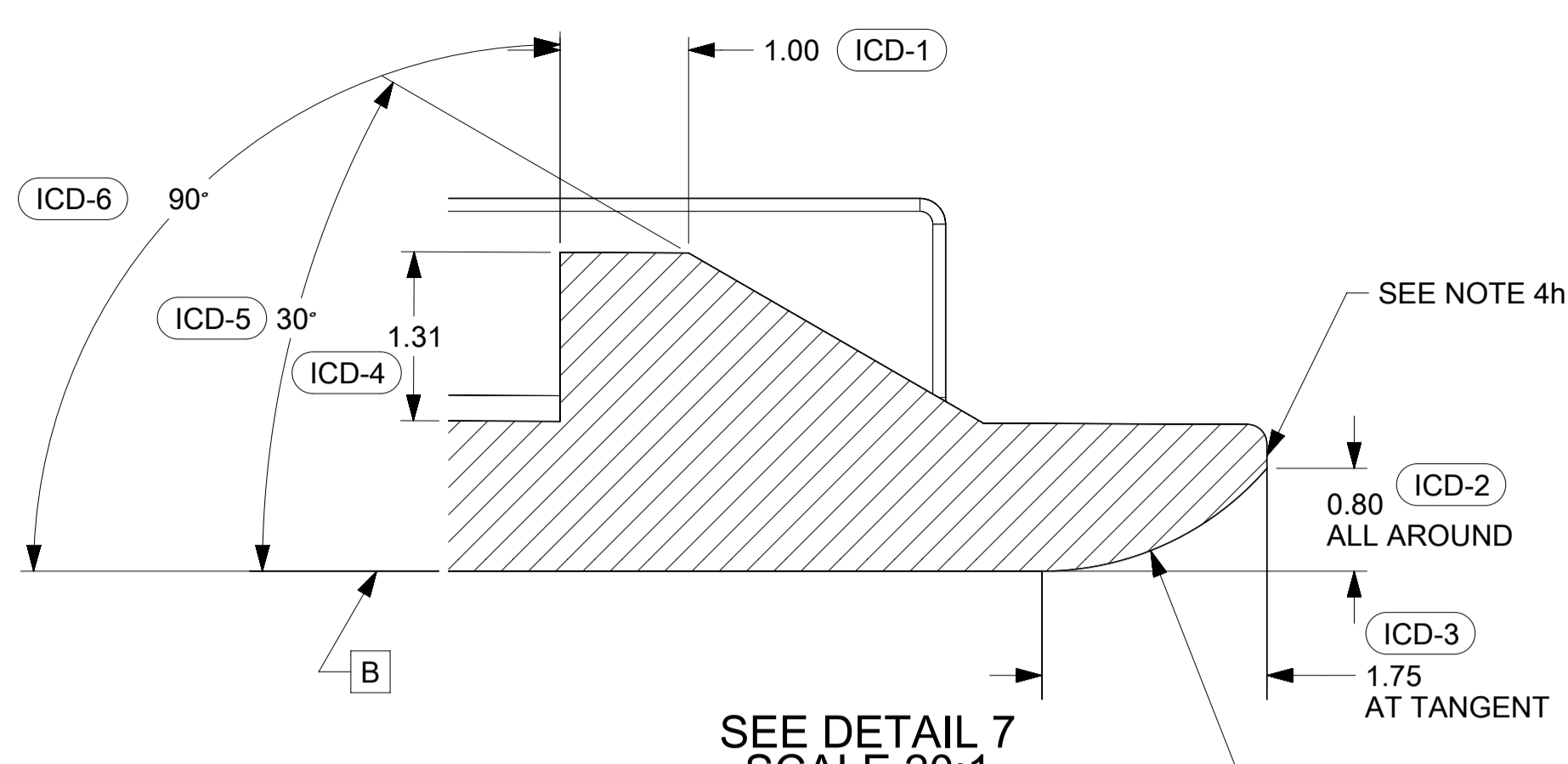
<p>QUALITY SYMBOLS</p> <p>▽ = 0</p> <p>▽ = 0</p> <p>▽ = 0</p> <p>▽ = 0</p> <p>▽ = 0</p> <p>▽ = 0</p> <p>▽ = 0</p> <p>▽ = 0</p> <p>▽ = 0</p> <p>▽ = 0</p>		<p>THIS DRAWING CONTAINS INFORMATION THAT IS PROPRIETARY TO MOLEX ELECTRONIC TECHNOLOGIES, LLC AND SHOULD NOT BE USED WITHOUT WRITTEN PERMISSION</p>		<p>GENERAL TOLERANCES (UNLESS SPECIFIED)</p> <p>ANGULAR TOL ± 3.0 °</p> <p>4 PLACES ±</p> <p>3 PLACES ±</p> <p>2 PLACES ± 0.1</p> <p>1 PLACE ± 0.2</p> <p>0 PLACES ±</p> <p>DRAFT WHERE APPLICABLE MUST REMAIN WITHIN DIMENSIONS</p>		<p>DIMENSION UNITS</p> <p>MM</p> <p>SCALE</p> <p>1:1</p>		<p>DRWN BY</p> <p>MNS02</p> <p>DATE</p> <p>2016/04/21</p>		<p>CHK'D BY</p> <p>KDEKOSKI</p> <p>DATE</p> <p>2016/05/04</p>		<p>APPR BY</p> <p>KDEKOSKI</p> <p>DATE</p> <p>2016/05/04</p>		<p>DRAWING SIZE</p> <p>A1</p> <p>THIRD ANGLE PROJECTION</p>		<p>SERIES</p> <p>34968</p>		<p>MATERIAL NUMBER</p> <p>SEE CHART</p>		<p>CUSTOMER</p>		<p>DOCUMENT NUMBER</p> <p>349684800</p>		<p>DOC TYPE</p> <p>PSD</p>		<p>DOC PART</p> <p>000</p>		<p>SHEET NUMBER</p> <p>2 OF 4</p>	
<p>EC NO: 115351</p> <p>DRWN: JURUTTER</p> <p>CHKD: KDEKOSKI</p> <p>APPR: KDEKOSKI</p>		<p>2017/04/03</p> <p>2017/04/13</p>		<p>EC NO: 115351</p> <p>DRWN: JURUTTER</p> <p>CHKD: KDEKOSKI</p> <p>APPR: KDEKOSKI</p>		<p>2017/04/03</p> <p>2017/04/13</p>		<p>EC NO: 115351</p> <p>DRWN: JURUTTER</p> <p>CHKD: KDEKOSKI</p> <p>APPR: KDEKOSKI</p>		<p>2017/04/03</p> <p>2017/04/13</p>		<p>EC NO: 115351</p> <p>DRWN: JURUTTER</p> <p>CHKD: KDEKOSKI</p> <p>APPR: KDEKOSKI</p>		<p>2017/04/03</p> <p>2017/04/13</p>		<p>EC NO: 115351</p> <p>DRWN: JURUTTER</p> <p>CHKD: KDEKOSKI</p> <p>APPR: KDEKOSKI</p>		<p>2017/04/03</p> <p>2017/04/13</p>		<p>EC NO: 115351</p> <p>DRWN: JURUTTER</p> <p>CHKD: KDEKOSKI</p> <p>APPR: KDEKOSKI</p>		<p>2017/04/03</p> <p>2017/04/13</p>		<p>EC NO: 115351</p> <p>DRWN: JURUTTER</p> <p>CHKD: KDEKOSKI</p> <p>APPR: KDEKOSKI</p>		<p>2017/04/03</p> <p>2017/04/13</p>			



MINI50 SEALED 1X4 INTERFACE

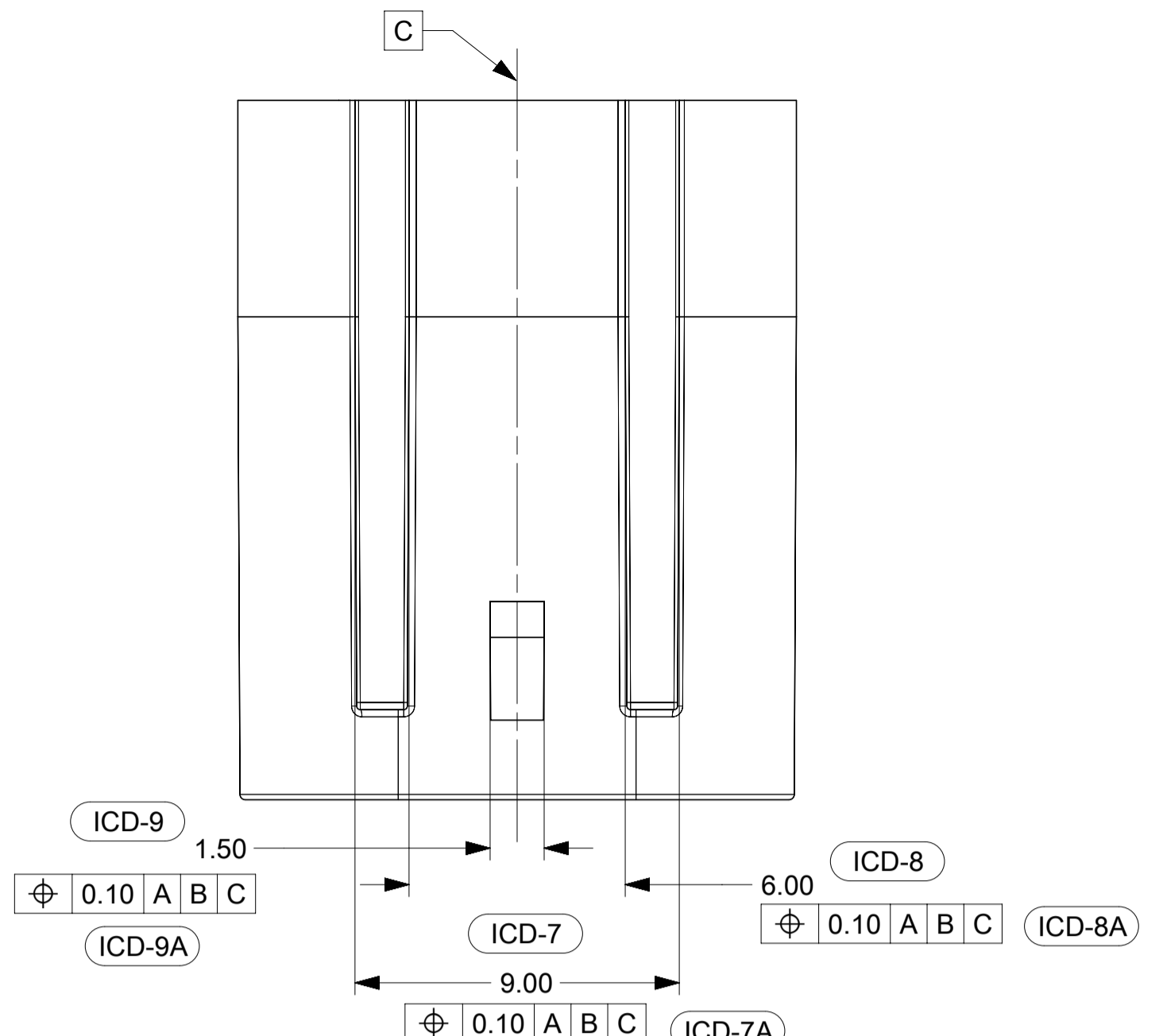
PRODUCT CUSTOMER DRAWING

**SHEET DESCRIPTION**  
CONNECTOR INTERFACE DEFINITION

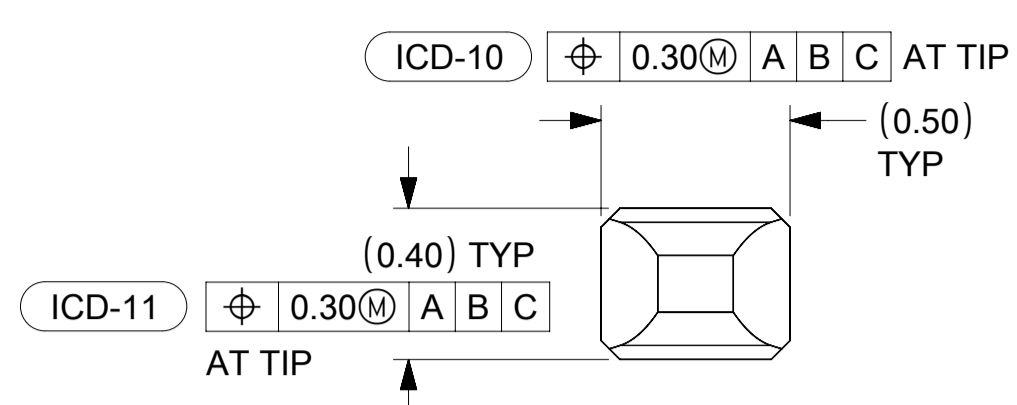


SEE DETAIL 7  
SCALE 20:1

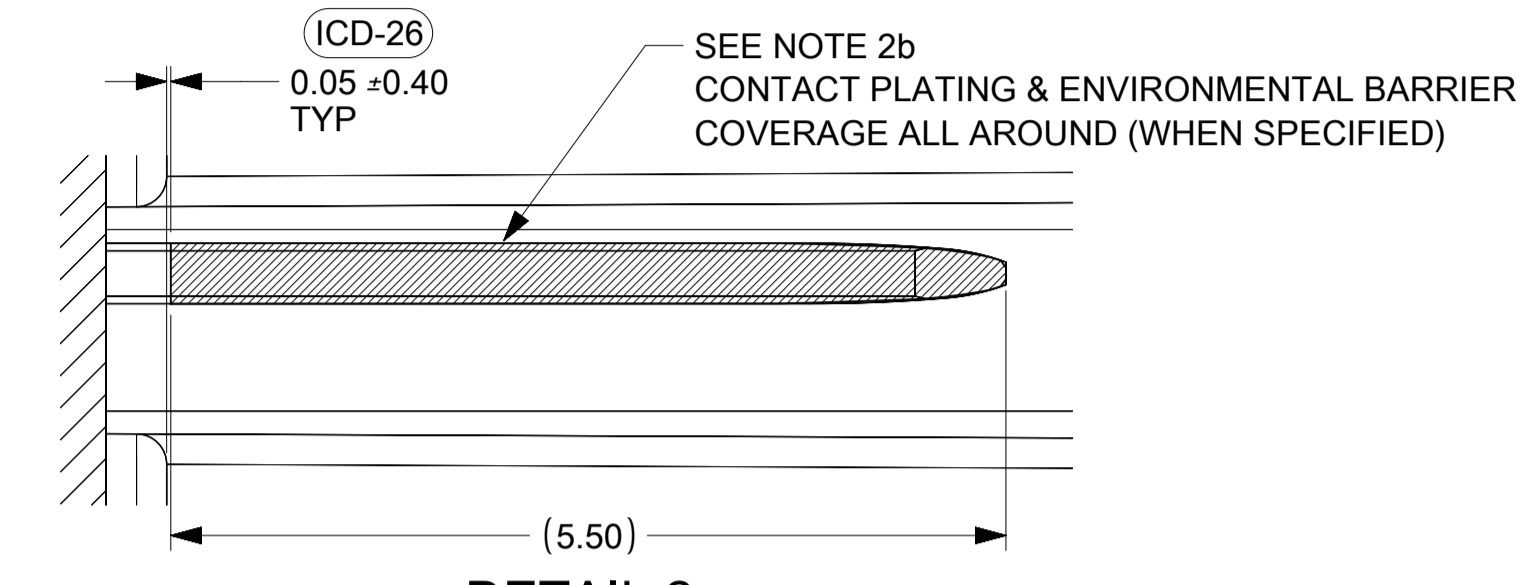
CONSTRUCTION BELOW THIS SURFACE IS NOT CONTROLLED BY THIS INTERFACE. NO FEATURES MAY EXTEND ABOVE THIS SURFACE.



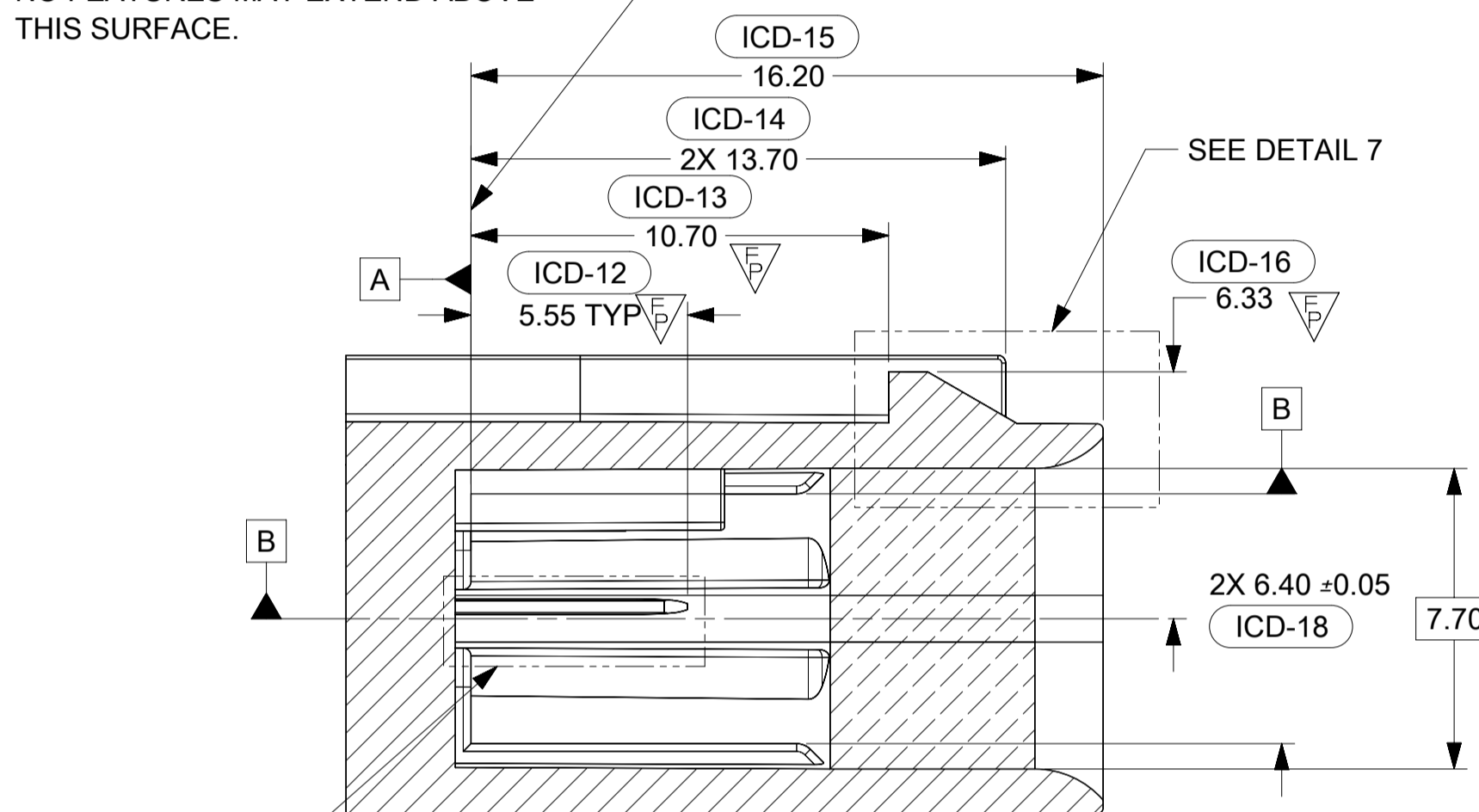
SEE NOTE 2b  
REFER TO MOLEX SALES DWG 347350050  
AND EWCAP DWG. NO. EWCAP-001 REV. P 050-T001  
0.50 TERMINAL BLADE CONFIGURATION



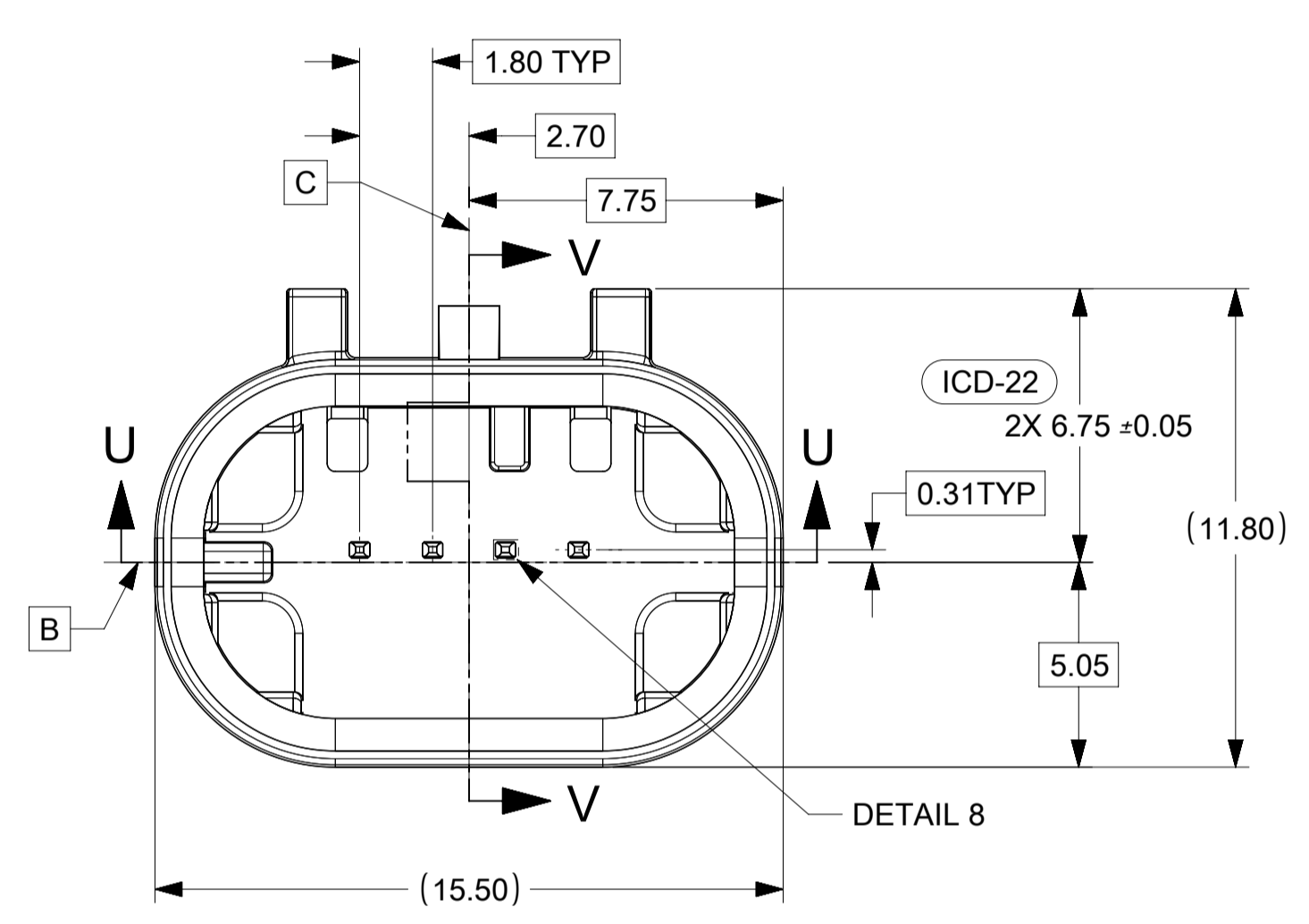
DETAIL 8  
SCALE 50:1



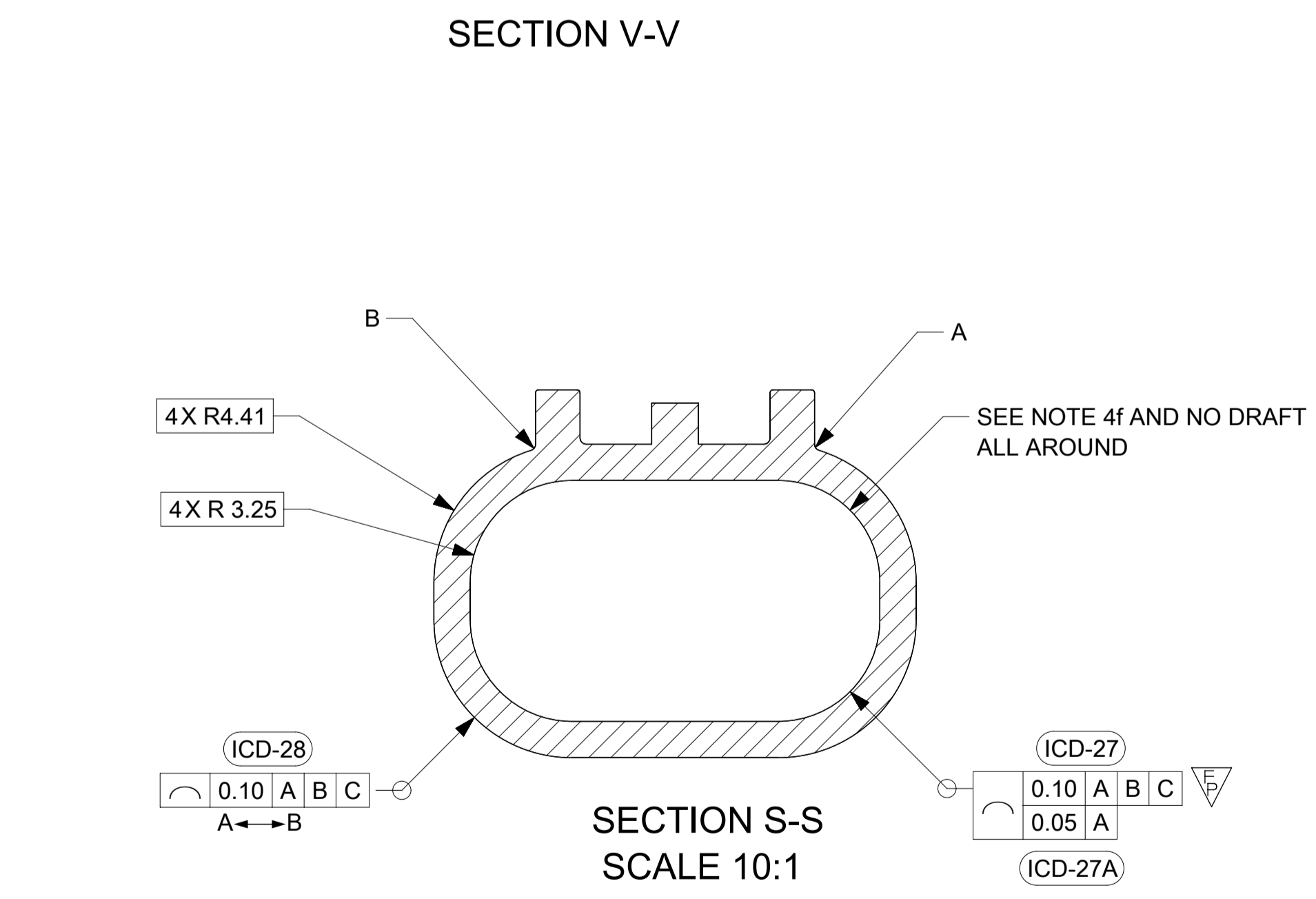
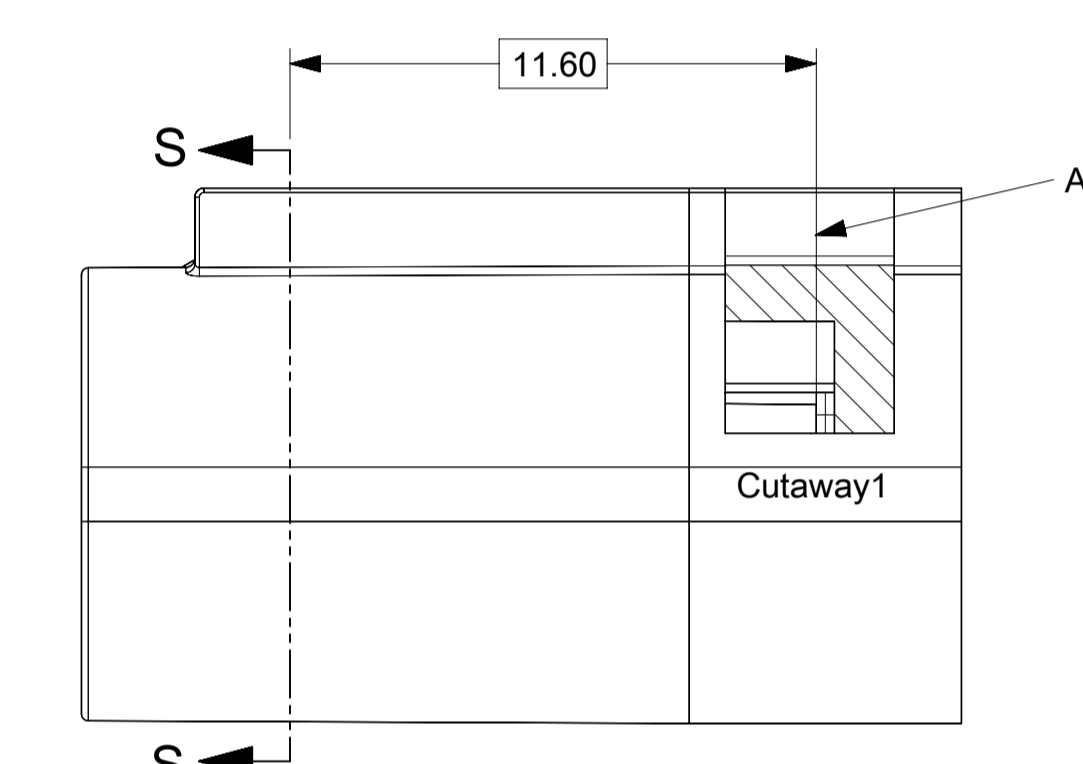
DETAIL 2  
SCALE 20:1



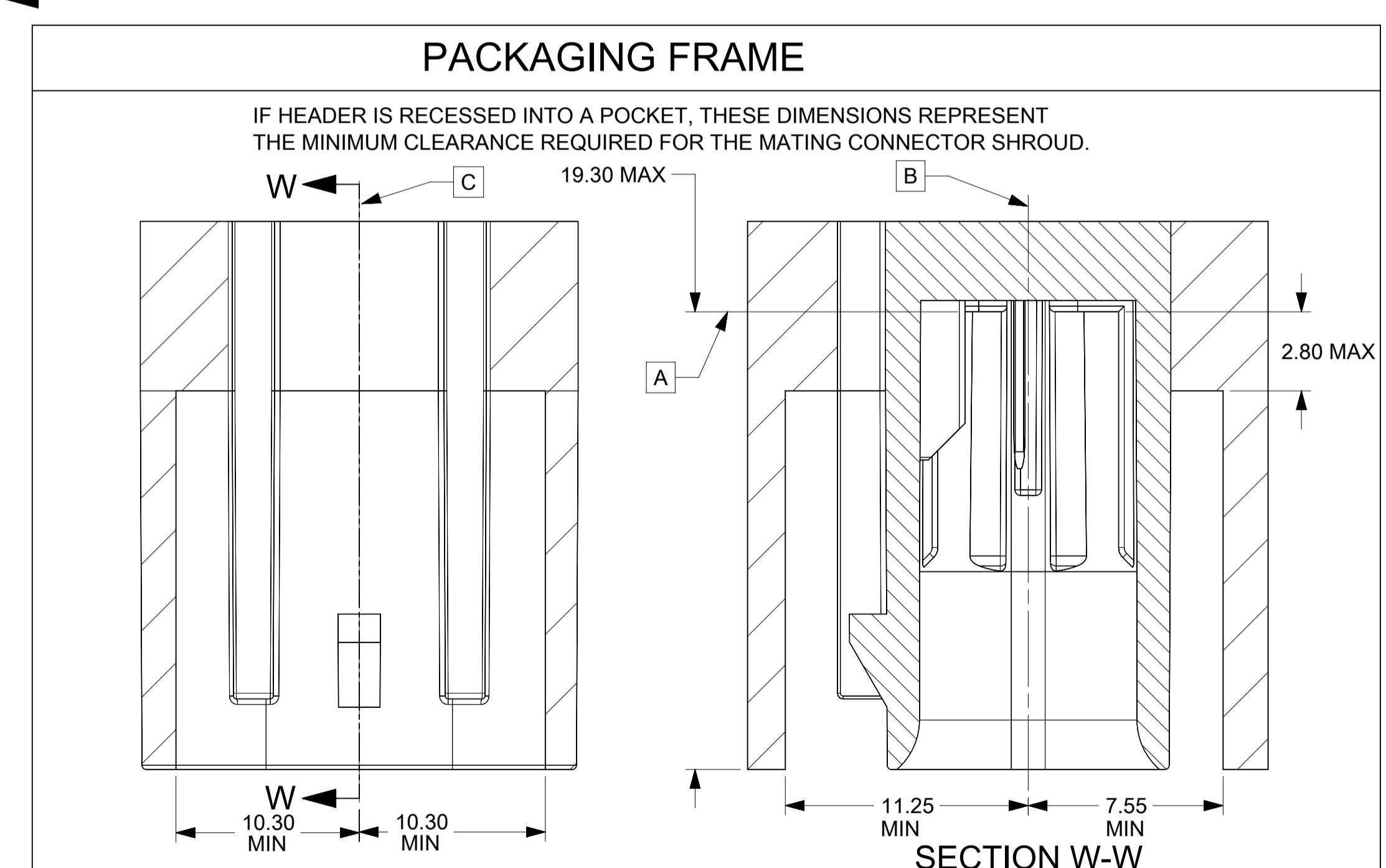
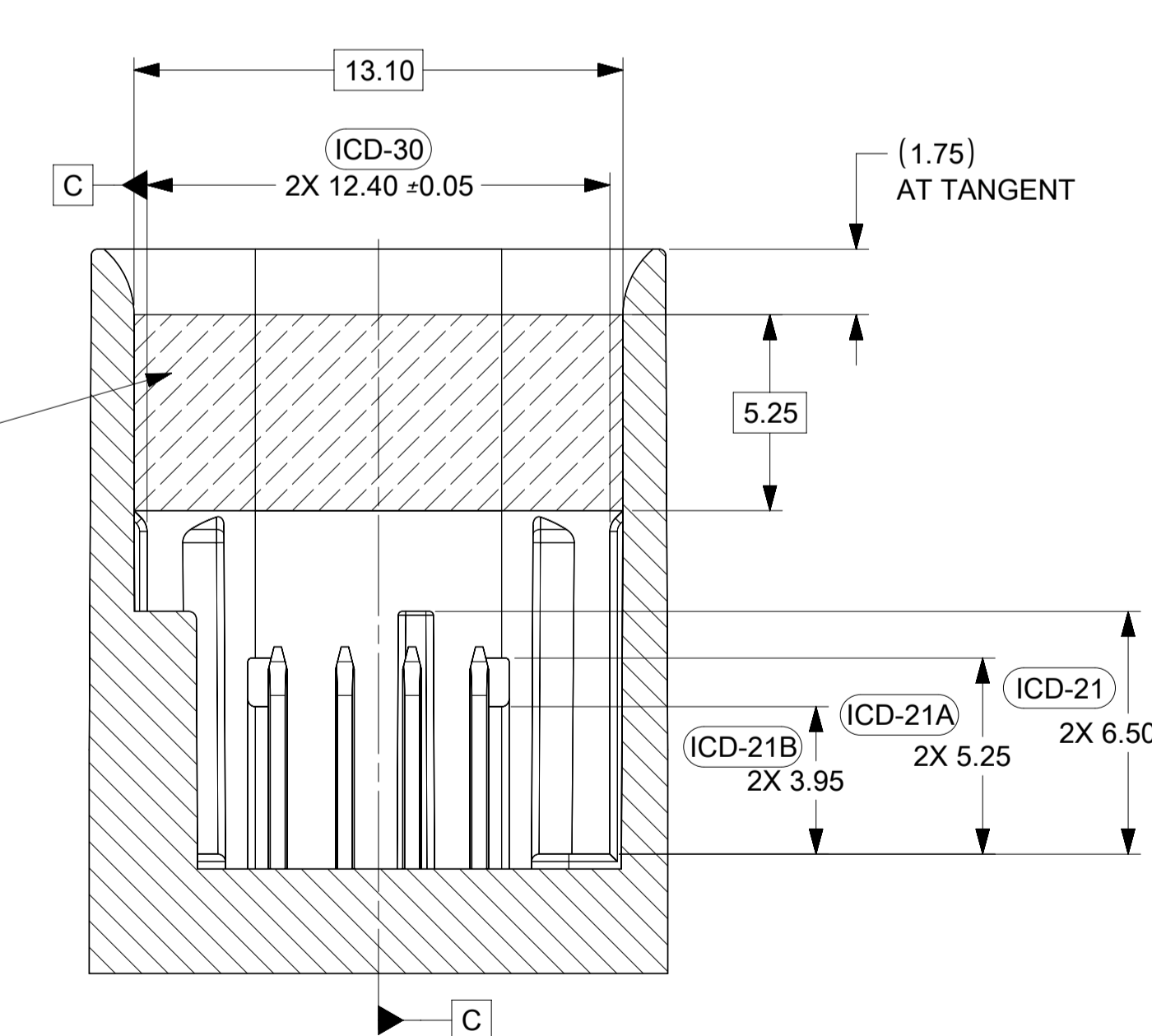
SECTION V-V



SECTION U-U



SECTION S-S  
SCALE 10:1



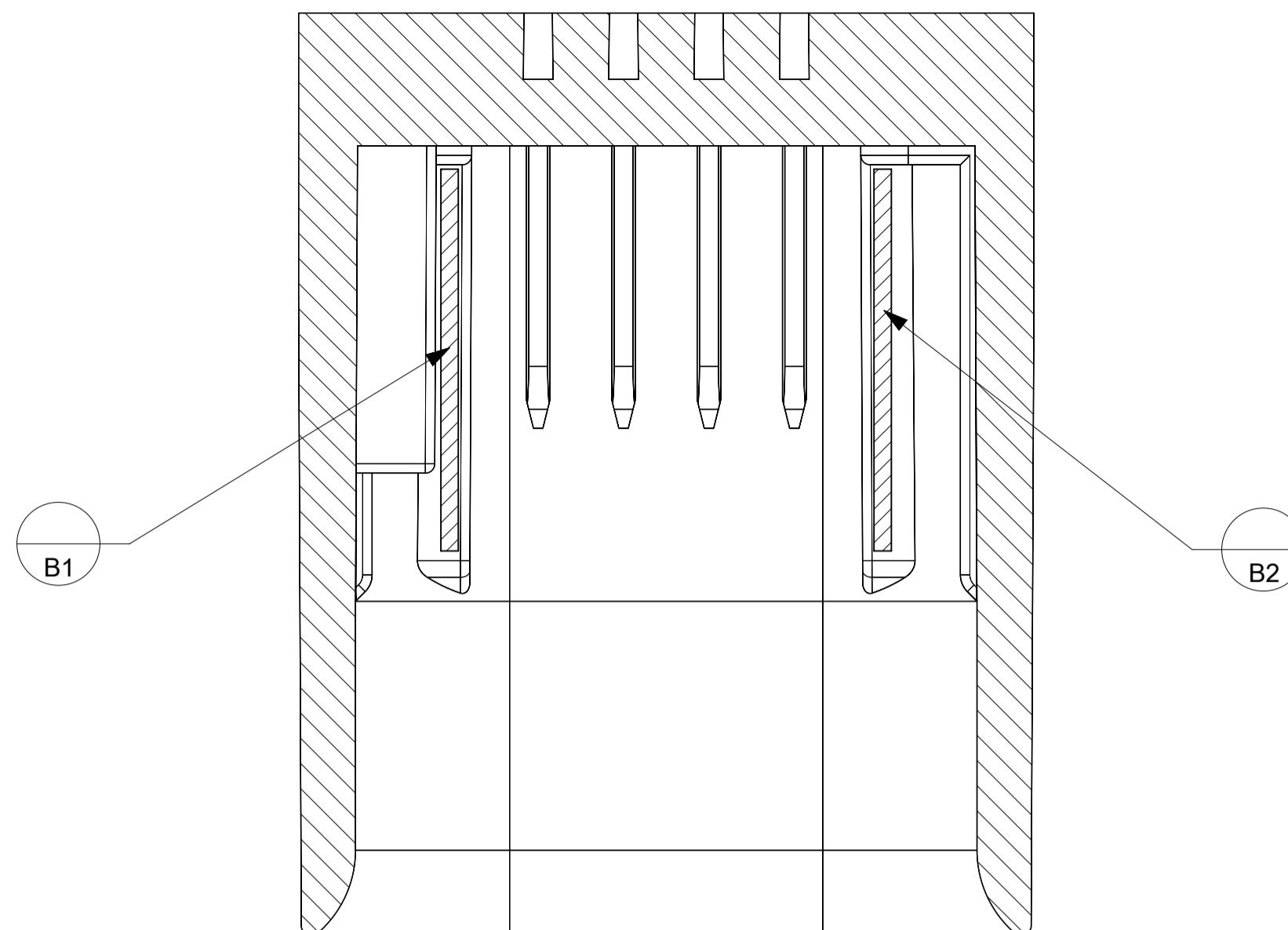
**molex**

MINI50 SEALED 1X4 INTERFACE

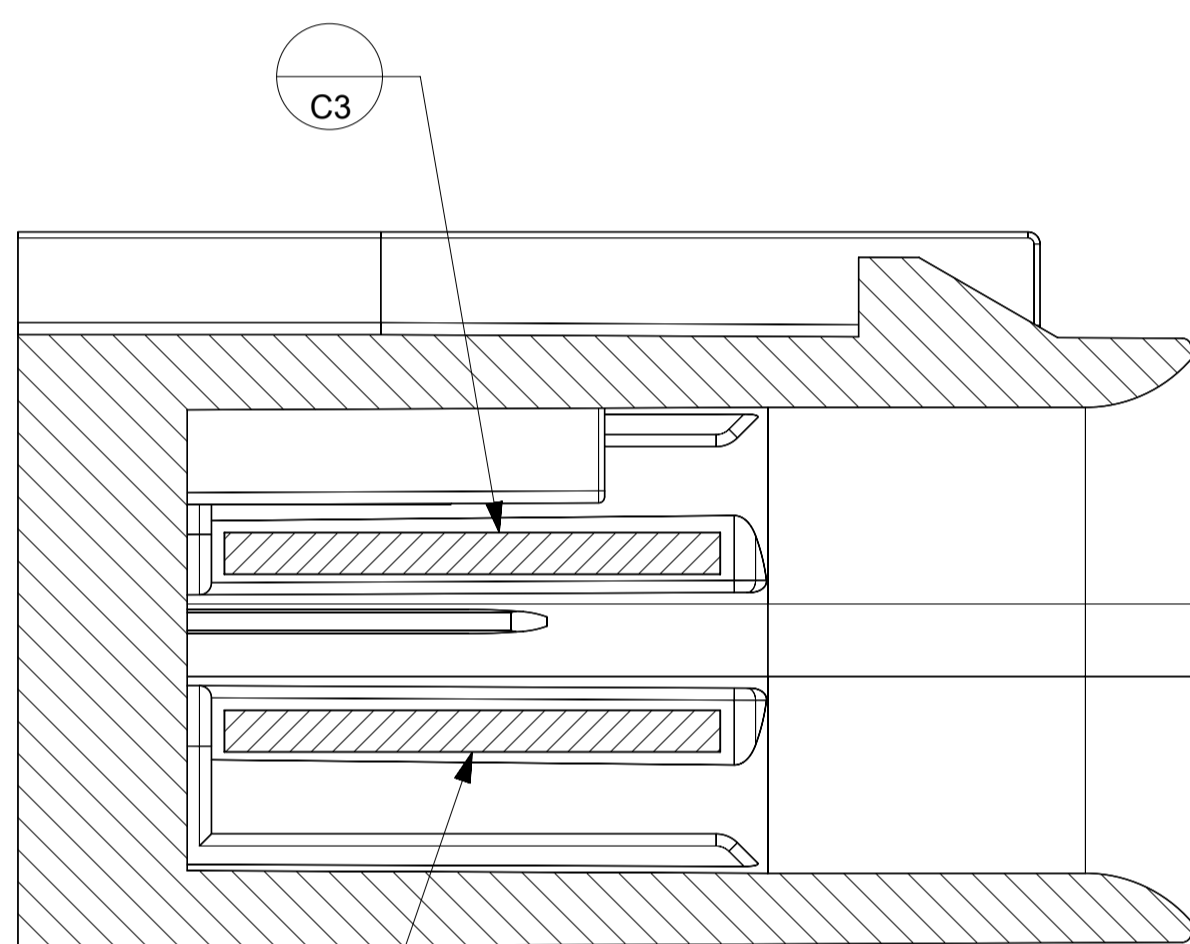
PRODUCT CUSTOMER DRAWING

QUALITY SYMBOLS	THIS DRAWING CONTAINS INFORMATION THAT IS PROPRIETARY TO MOLEX ELECTRONIC TECHNOLOGIES, LLC AND SHOULD NOT BE USED WITHOUT WRITTEN PERMISSION			
	2017/04/03	2017/04/13	GENERAL TOLERANCES (UNLESS SPECIFIED)	DIMENSION UNITS: MM, SCALE: 1:1
▽ = 0	EC NO: 115351 DRWN: JURUTTER CHKD: KDEKOSKI REV APPR: KDEKOSKI	C3	4 PLACES ±	DRWN BY: MNS02, DATE: 2016/04/21
▽ = 0			3 PLACES ±	CHK'D BY: DATE:
▽ = 0			2 PLACES ± 0.1	APPR BY: KDEKOSKI, DATE: 2016/05/04
▽ = 0			1 PLACE ± 0.2	SERIES: 34968, MATERIAL NUMBER: SEE CHART, CUSTOMER:
▽ = 0			0 PLACES ±	DRAWING SIZE: A1, THIRD ANGLE PROJECTION
▽ = 0			DRAFT WHERE APPLICABLE MUST REMAIN WITHIN DIMENSIONS	

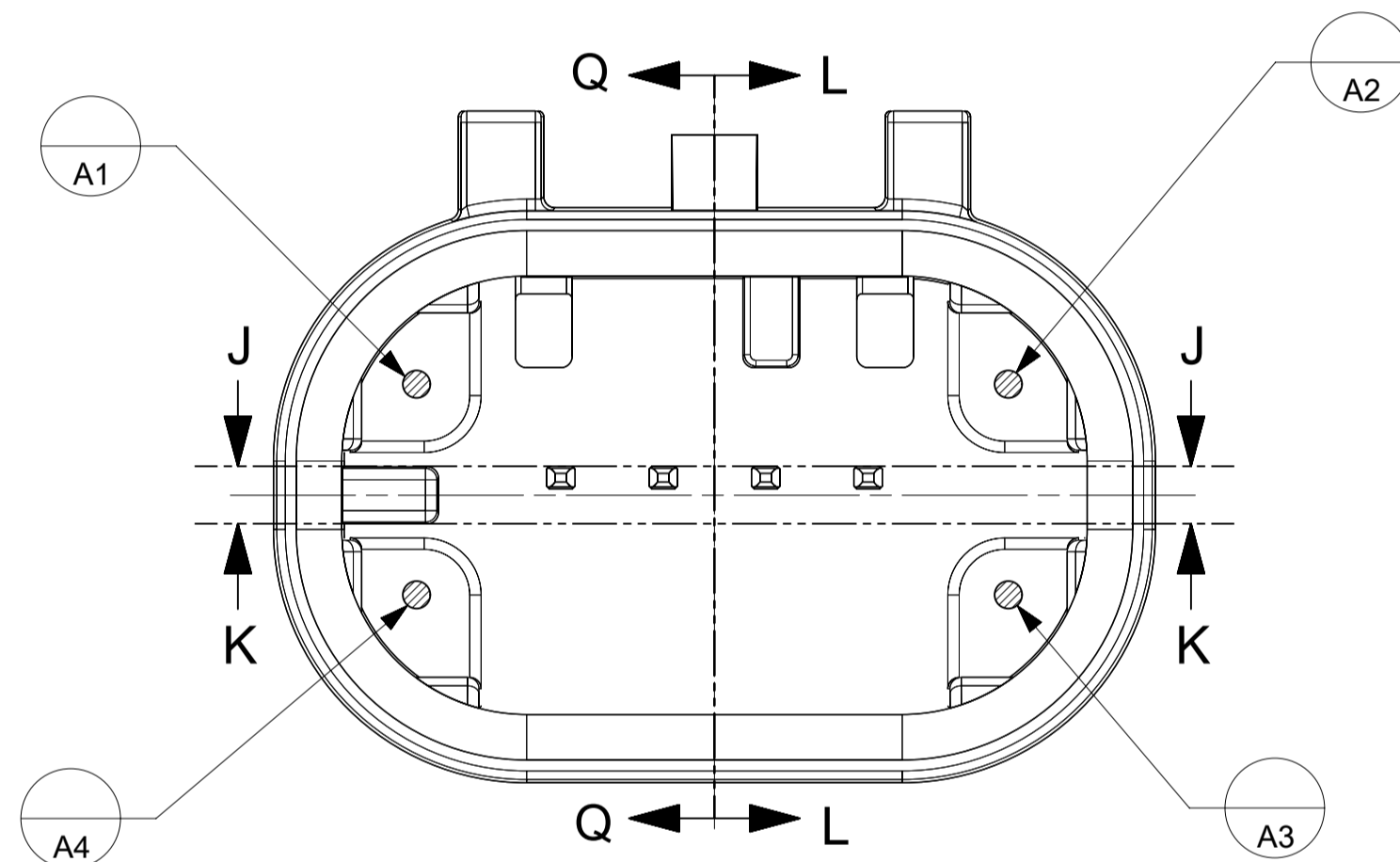
SHEET DESCRIPTION  
DATUM TARGETS



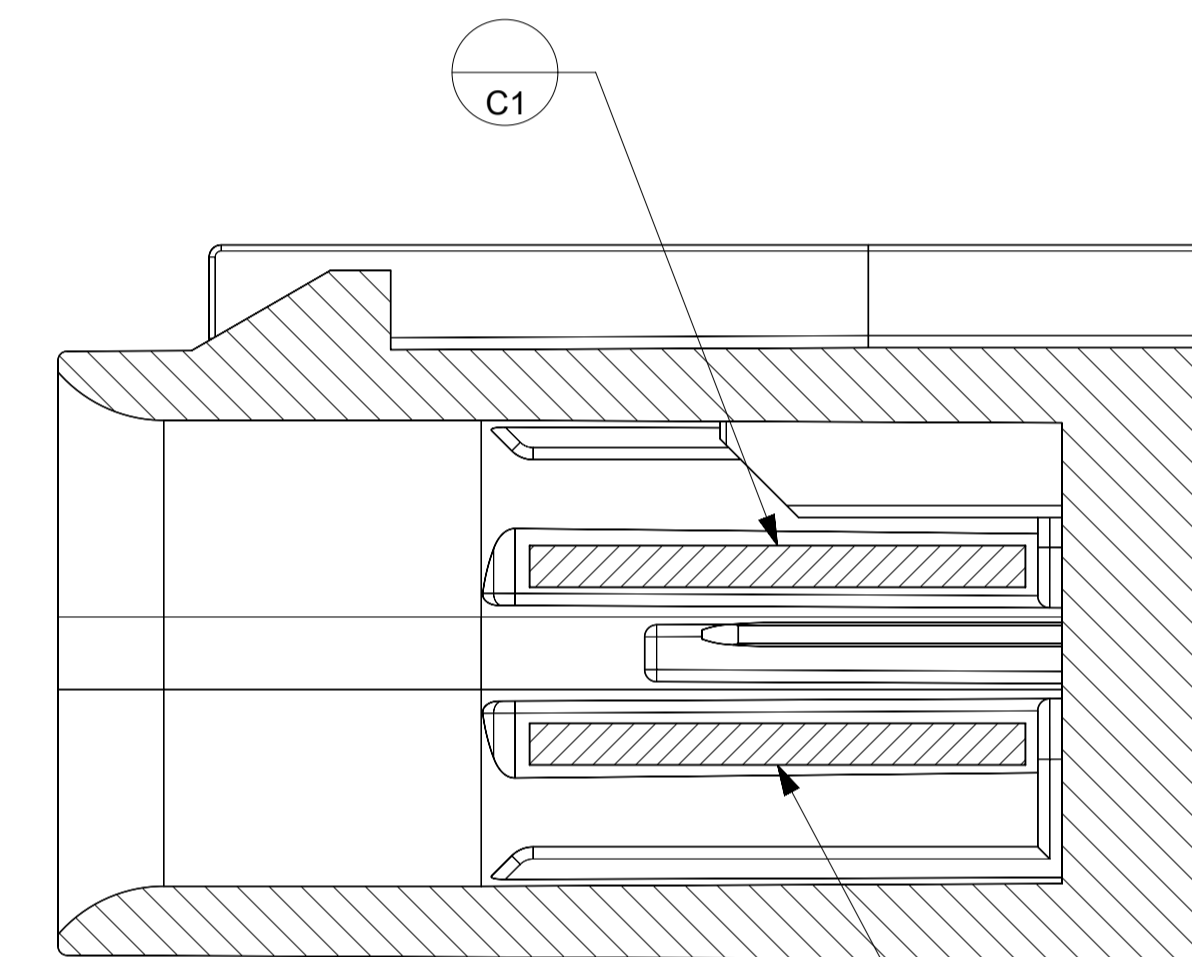
SECTION J-J  
SCALE 8:1



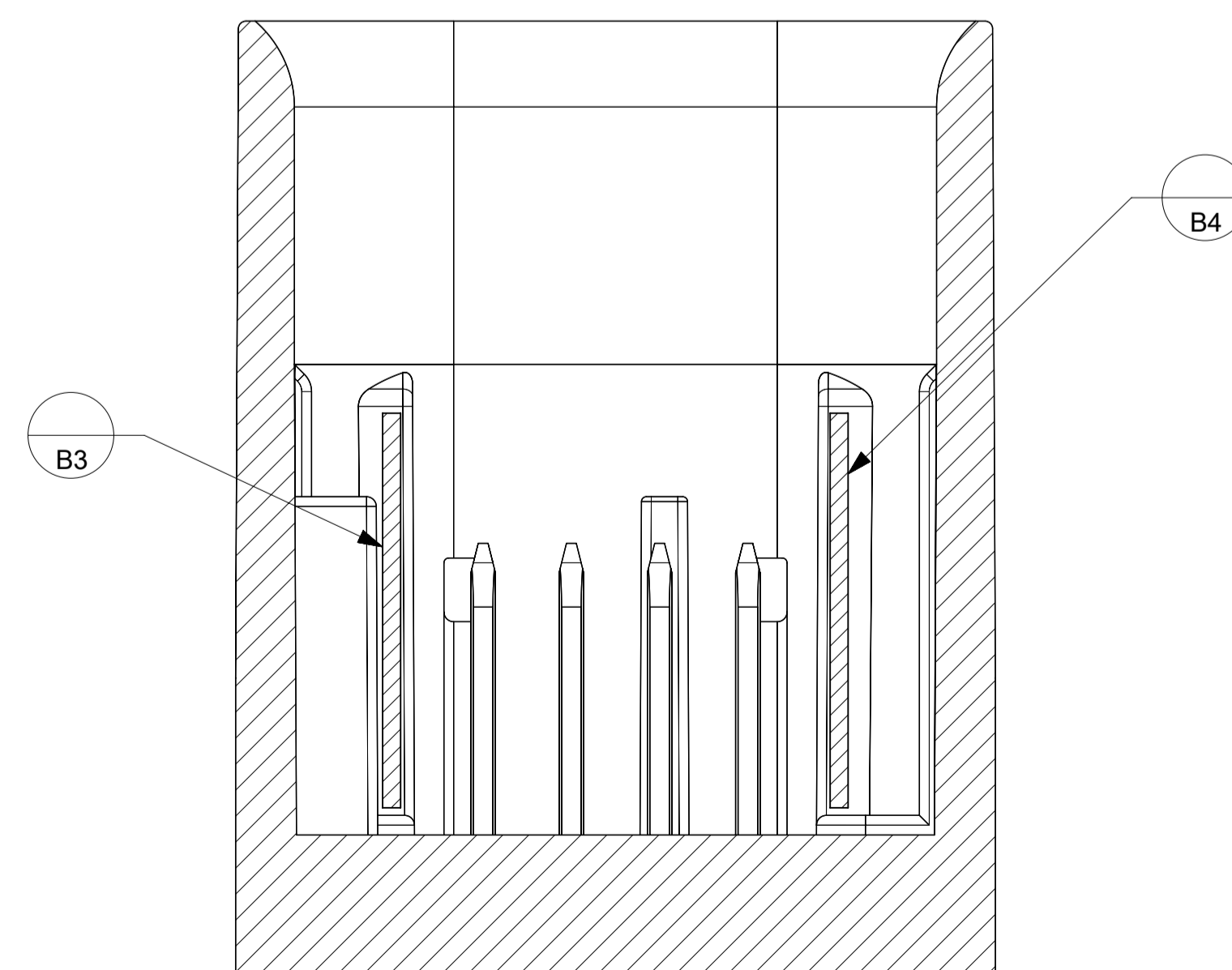
SECTION L-L  
SCALE 8:1



SECTION K-K  
SCALE 8:1



SECTION Q-Q  
SCALE 8:1



THIS DRAWING CONTAINS INFORMATION THAT IS PROPRIETARY TO MOLEX ELECTRONIC TECHNOLOGIES, LLC AND SHOULD NOT BE USED WITHOUT WRITTEN PERMISSION													
QUALITY SYMBOLS	2017/04/03	2017/04/13	GENERAL TOLERANCES (UNLESS SPECIFIED)		DIMENSION UNITS	SCALE							
			ANGULAR TOL ± 3.0 °		MM	1:1							
▽ = 0	EC NO: 115351 DRWN: JRUTTER CHKD: REV / APPR: C3 / KDEKOSKI	KDEKOSKI	4 PLACES ±	MNS02	DRWN BY DATE							2016/04/21	
▽ = 0			3 PLACES ±		CHK'D BY DATE								
▽ = 0			2 PLACES ± 0.1	APPR BY DATE		KDEKOSKI 2016/05/04							
▽ = 0			1 PLACE ± 0.2	DRAWING SIZE		THIRD ANGLE PROJECTION		SERIES		MATERIAL NUMBER			
▽ = 0			0 PLACES ±	DRAFT WHERE APPLICABLE MUST REMAIN WITHIN DIMENSIONS		A1		34968		349684800			
▽ = 0							CUSTOMER		CUSTOMER				
							PRODUCT CUSTOMER DRAWING		CUSTOMER				
							SEE CHART		CUSTOMER				
							DOCUMENT NUMBER		DOC TYPE				
							349684800		PSD				
							000		4 OF 4				