

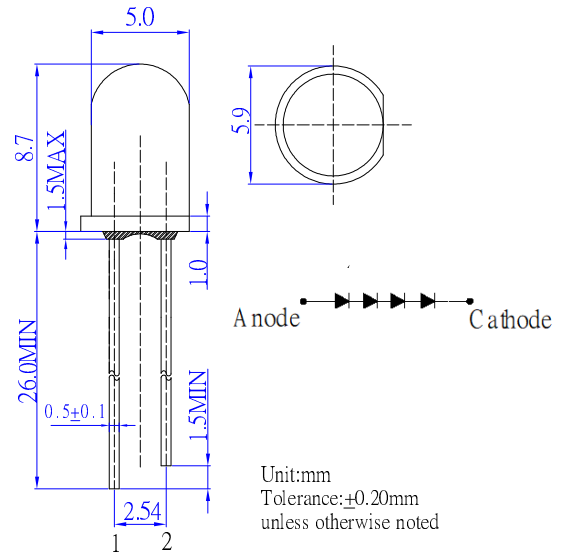
■ **Features**

- High Lumen Output
- 5mm Round Standard Directivity
- UV Resistant Epoxy
- Long Lifetime Operation
- Water Clear Type

■ **Applications**

- Electronic Signs And Signals
- Small Area Illuminations
- Back Lighting
- Other Lighting

■ **Outline Dimension**

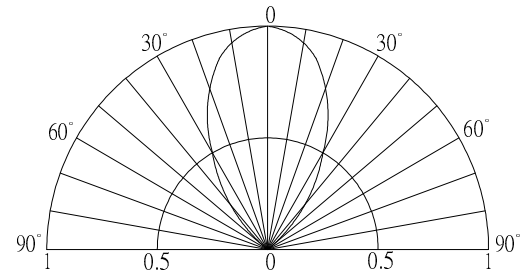


■ **Absolute Maximum Rating**

(Ta=25°C)

Item	Symbol	Value		Unit
		B/PG/W	Y/O/R	
DC Forward Current	I _F	25	25	mA
Pulse Forward Current#	I _{FP}	40	40	mA
Reverse Voltage	V _R	20	20	V
Power Dissipation	P _D	340	260	mW
Operating Temperature	Topr	-30 ~ +85		°C
Storage Temperature	Tstg	-40 ~ +100		°C
Lead Soldering Temperature	Tsol	260°C/5sec		-

■ **Directivity**



#Pulse width Max.10ms Duty ratio max 1/10

■ **Electrical -Optical Characteristics**

(Ta=25°C)

Part Number	Color		V _F (V)*			I _R (μA)	Φ _V (LM)*			Wd(nm)/CCT(K)*			2θ1/2(deg)
			Min.	Typ.	Max.	Max.	Min.	Typ.	Max.	Min.	Typ.	Max.	Typ.
			I _F =20mA			V _R =20V		I _F =20mA					
OSW4745B61A	White	W	-	12	13.6	10	30	32	-	5500-8500K(X:0.31,Y:0.33)			60
OSM5745B61A	Warm white	M	-	12	13.6	10	25	27	-	2700-3300K(X:0.44,Y:0.41)			60
OSB5645B61A	Blue	B	-	12	13.6	10	6	8	-	465	470	475	60
OSG5945B61A	Pure Green	PG	-	12	13.6	10	20	22	-	520	525	530	60
OS5YA45B61A	Yellow	Y	-	8.4	10.4	10	8	10	-	585	590	595	60
OS5OG45B61A	Orange	O	-	8.4	10.4	10	9	11	-	600	605	610	60
OS5RA45B61A	Red	R	-	8.4	10.4	10	8	10	-	620	625	630	60

*1 Tolerance of measurements of forward voltage is ±0.1V

*2 Tolerance of measurements of luminous flux is ±15%

*3 Tolerance of measurements of dominant wavelength is ±1nm

*4 Tolerance of measurements of chromaticity coordinate is ±10%

*5 Tolerance of measurements of color temperature is ±10%