

MSUD valve form A 18mm with cable PUR-JZ 3x0,75 yellow UL, CSA 7,5m

Form A (18 mm)
24 V AC/DC with LED and suppression

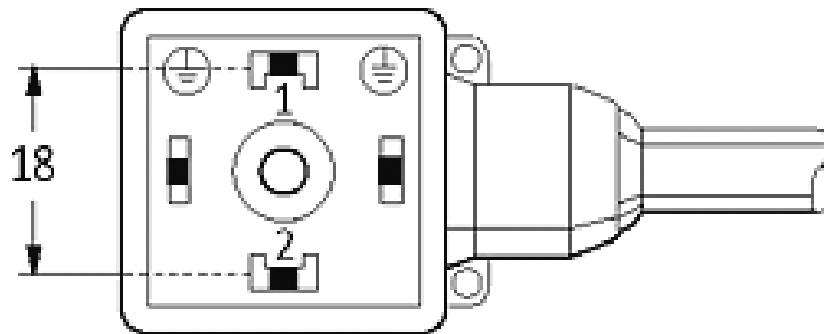
Image

Vicarious picture

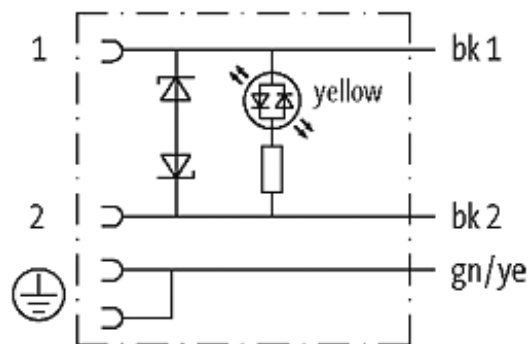
| | |
|--------------------------------|--|
| Form | 18021 |
| Technical Data | |
| Operating voltage | 24 V AC/DC ±25 % |
| Operating current per contact | max. 4 A |
| Switch off peak | max. 55 V |
| Switch off delay time | max. 20 ms |
| Locking of ports | M3 (recommended torque 0.4 Nm) |
| Protection | IP65 and IP67 when plugged and screwed down (EN 60529) |
| Housing | Black plastic (gray on request) |
| Temperature range | -25...+85 °C, depending on cable quality |
| Cable | |
| No./diameter of wires | 3 × 0.75 mm ² |
| Wire isolation | PP (bk, num, gnye) |
| C-track properties | 5 million |
| Jacket | PUR (UL/CSA) |
| Outer diameter | approx. 5.9 mm |
| Bend radius (moving) | 10 x outer diameter |
| Temperature range (fixed) | -40...+80 °C |
| Temperature range (mobile) | -25...+80 °C |
| Commercial data | |
| Net weight | 420 |
| Weight unit | Gram |
| Basic unit | pc. |
| Customs tariff number | 85444290 |
| Unit (piece) | 1 |
| Minimum order quantity (piece) | 1 |
| Comments | |
| | Further cable lengths on request. |
| | Plastic housings with good resistance against chemicals and oils. |
| | The resistance to aggressive media should be individually tested for your application. Further details on request. |

All data on this data sheet was compiled carefully.
Liability regarding correctness, completeness, and actuality is limited to gross negligence. Created: 06/14

Contact layout



Circuit diagram



Dimension drawing

