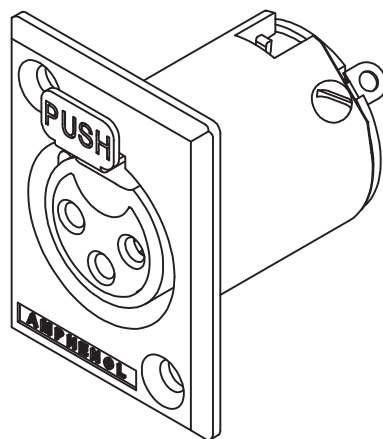


PANEL CUT OUT



ISO VIEW

AC*FPZ	INSERT No.
AC3FPZ	156-4065-*00
AC4FPZ	156-4073-*00
AC5FPZ	156-4074-*00
AC6AFPZ	156-4075-*00
AC7FPZ	156-4076-*00

UNLESS OTHERWISE SPECIFIED TOLERANCE TO BE		THIS DOCUMENT IS THE PROPERTY OF AMPHENOL AUSTRALIA PTY. LTD.. NO PART THEREOF MAY BE REPRODUCED AND USED WITHOUT THE PRIOR WRITTEN CONSENT OF THE OWNER		2	UPDATE TO AMPHENOL TITLE BLOCK & LOGO ADD SHEET 2 OF 2 FOR CUSTOMER DRAWING	L.V	02-10-01	7871
LINEAR	ANGULAR	CAD FILE: 00822102	DRN: D.v.E.	0	FIRST ISSUE	D.v.E.	21-09-1995	----
X ± 0.50	X' ± 1'	MATL: REFER TO COMPONENT	CKD: M.N.H	REV.	CHANGE DETAILS	BY	DATE	CHG/No
X,X ± 0.10	X,X' ± 30'	DO NOT SCALE	FINISH: REFER TO COMPONENT	APP'D: P.M	DATE: 21-09-95	TITLE: AC*FPZ PANEL MOUNT CUSTOMER DRAWING		
X,XX ± 0.05	X',X'X' ± 15'	DIMENSIONS IN MILLIMETRES	THIRD ANGLE PROJECTION	SCALE: 2:1 UOS	DATE: 24-10-01	Amphenol		
				PART No:	128462-0000	Amphenol Australia Pty Ltd, 2 Fineways Blvd, Keysborough, Vic 3173		
				SIZE:	A3	DRAWING NO. 128462-0000		SHEET 2 OF 2