

◆ Features:

- **single colour**
- **radio frequency control RF**
- **low power consumption**
- **24 months warranty**
- **suitable for power supplies**
- **suitable for RGB amplifiers**
- **PWM output**
- **transmitter and receiver in one set**
- **easy connection**

◆ Photo:**CE**

Input	Working voltage	12Vdc +/- 5% 24Vdc +/- 5%
	Static power consumption	1W
	Supply connector	Plug 2,1x5,5mm or screw terminal
Output	Output type	PWM
	Output voltage*	0-12V 0-24V
	Channel quantity	1
	Single channel max. current	8A
	Max single output power	96W (for 12Vdc) 192W (for 24Vdc)
Control	Transmission	Radio frequency (RF)
	Transmitter	3-key transmitter with touch panel
	Range	70m open area 25m close area
	Match code**	Yes
	Control without remote	Yes
Other	Working temp.	-20...+40°C
	Weight netto	110g
	Weight brutto	130g
	Controller dimension L x W x H	115 x 56 x 34 mm
	Package dimension L x W x H	120 x 84 x 45 mm
	Warranty	24m

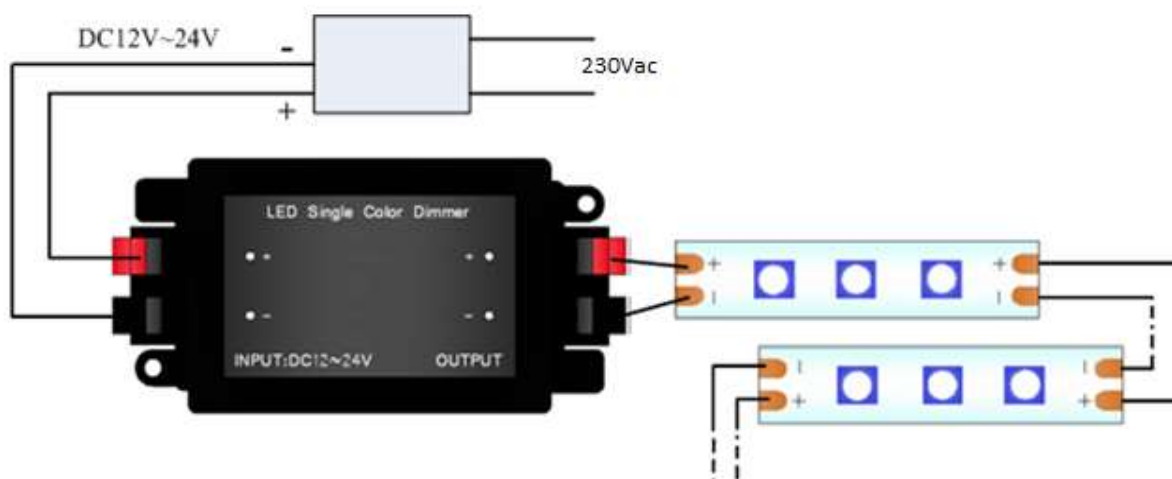
* depends on forking voltage

** match code helps do not interfeerena two controllers working in the same area

◆ OUTPUT DIMMENSION

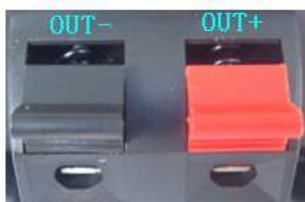


◆ **TYPICAL APPLICATION**



◆ **CONNECTOR DESCRIPTION**

RGB load



Switching power supply



◆ **TOUCH REMOTE CONTROLLER DESCRIPTION**

	Brightness "+"		ON/OFF
	Brightness "-"		