

DETAILS

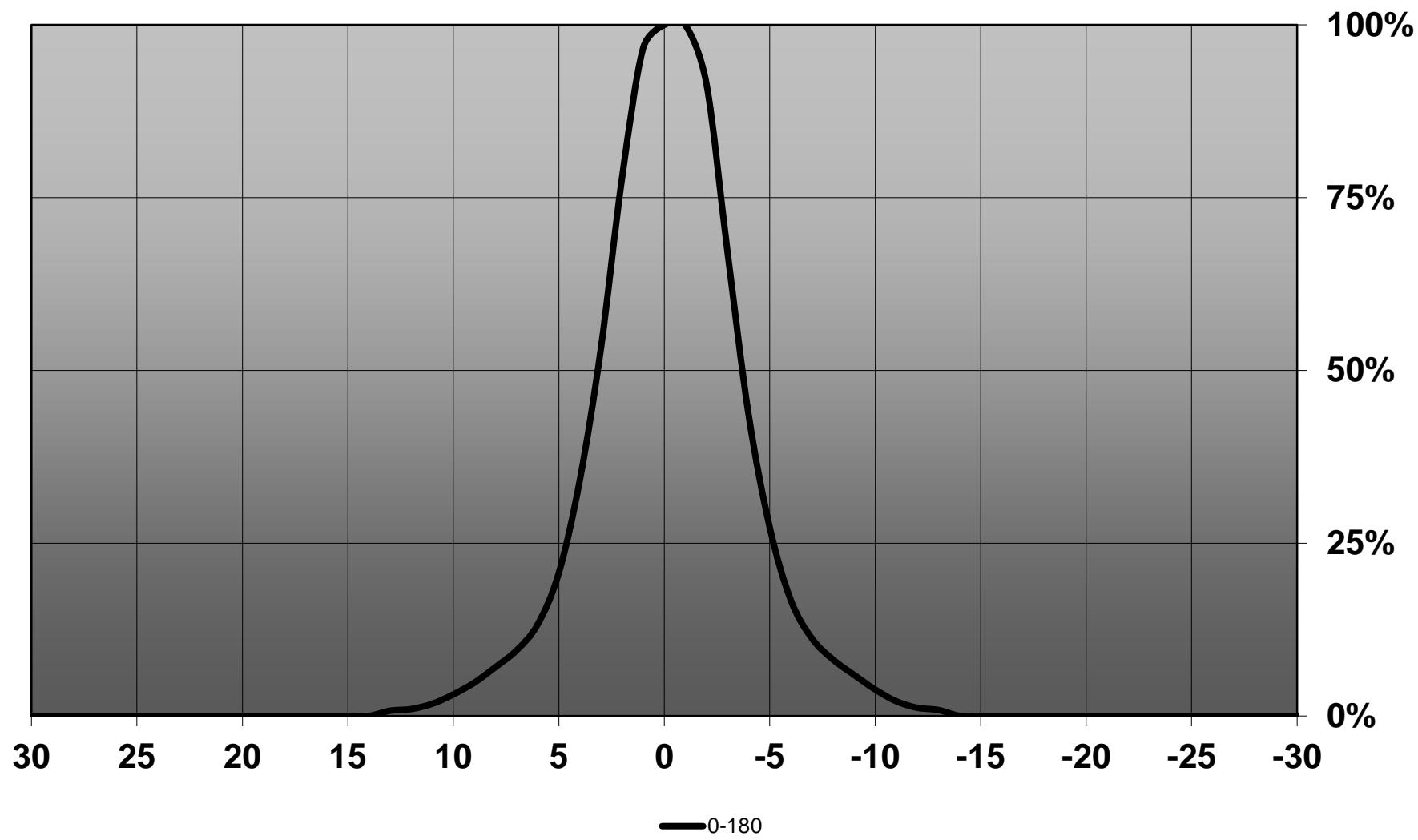
Product Number	F12985_CRYSTAL-MINE
Family	Crystal
Type	Lens
Color	clear
Diameter	46,8 mm
Height	27,4 mm
Style	round
Optic Material	PMMA
Holder Material	
Fastening	
Status	production ready
ROHS Compliant	Yes
Date Updated	6/10/2017

OPTICAL PROPERTIES

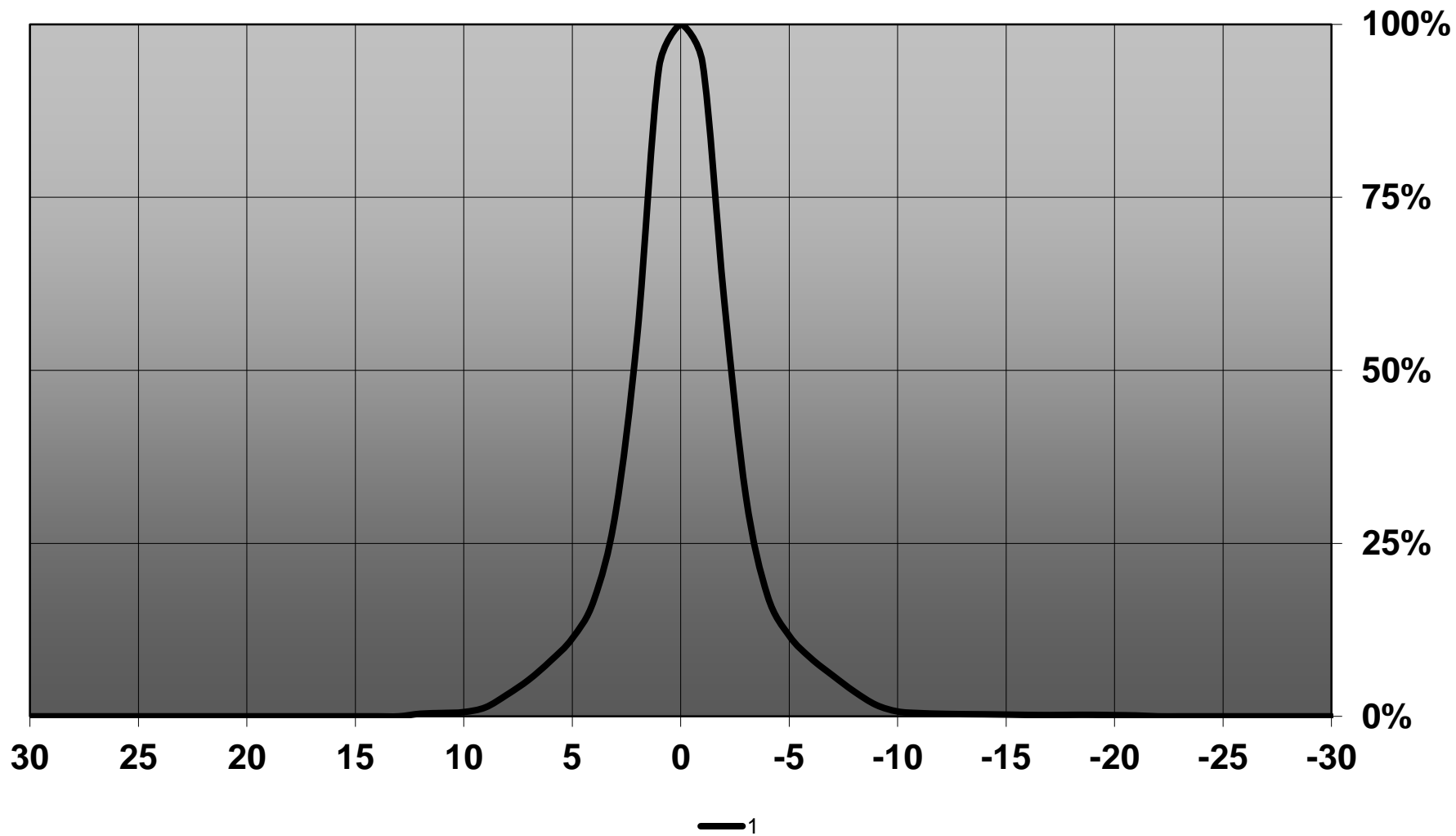
LED	Viewing	Light	Efficiency	cd/lm	Connector
	Angle	Beam			
XP-E	3 deg	Spot	92 %	96.000	-
XP-G	4.7 deg	Spot	90 %	66.900	-
XM-L2	6.9 deg	Spot	90 %	35.000	-
XP-G2	4.6 deg	Spot	90 %	65.200	-
LUXEON A	4.9 deg	Spot	89 %	58.200	-
LUXEON T	4.9 deg	Spot	89 %	55.100	-
LUXEON TX	5.0 deg	Spot	94 %	50.600	-
NCSxx19B	3.6 deg	Spot	90 %	73.300	-
LH351Z	4.2 deg	Spot	90 %	71.400	-
LH351B	5.1 deg	Spot	90 %	51.770	-



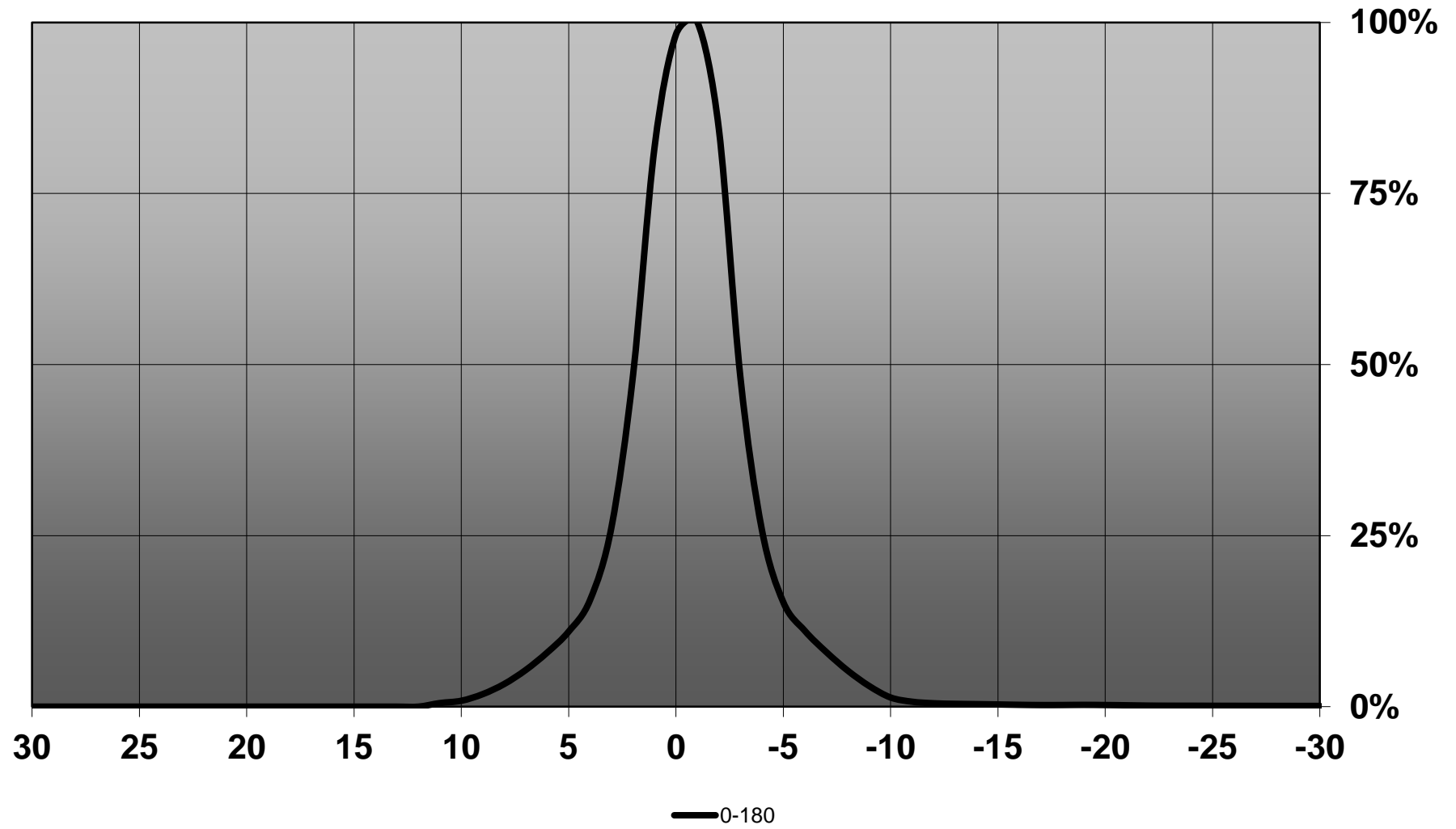
Relative intensity of CN13595_CRYSTAL-MINE_(XM-L2)



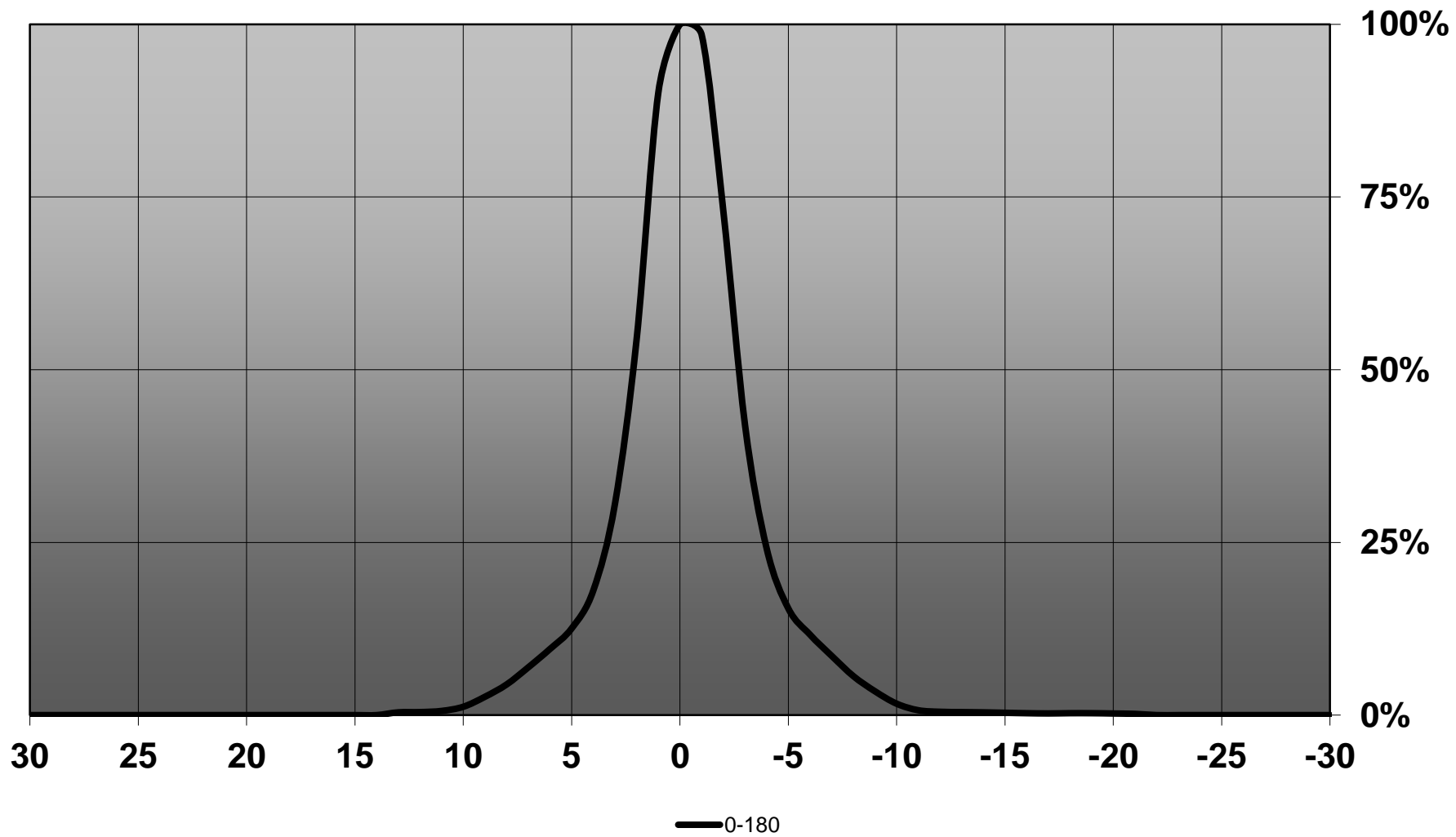
Relative intensity of CN13595_CRYSTAL-MINE_(XP-G2)



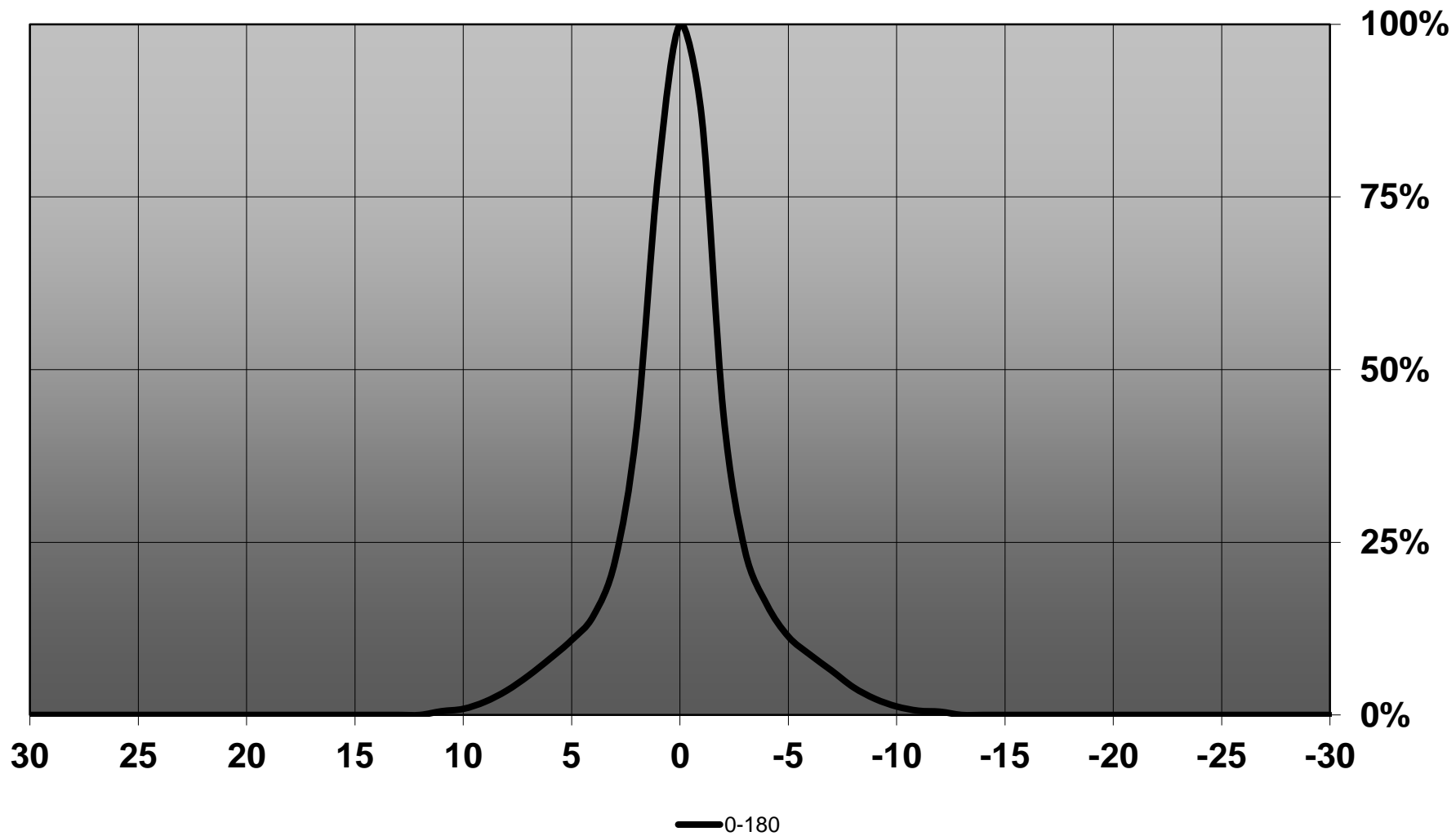
Relative intensity of CN13595_CRYSTAL-MINE_(Luxeon_A)



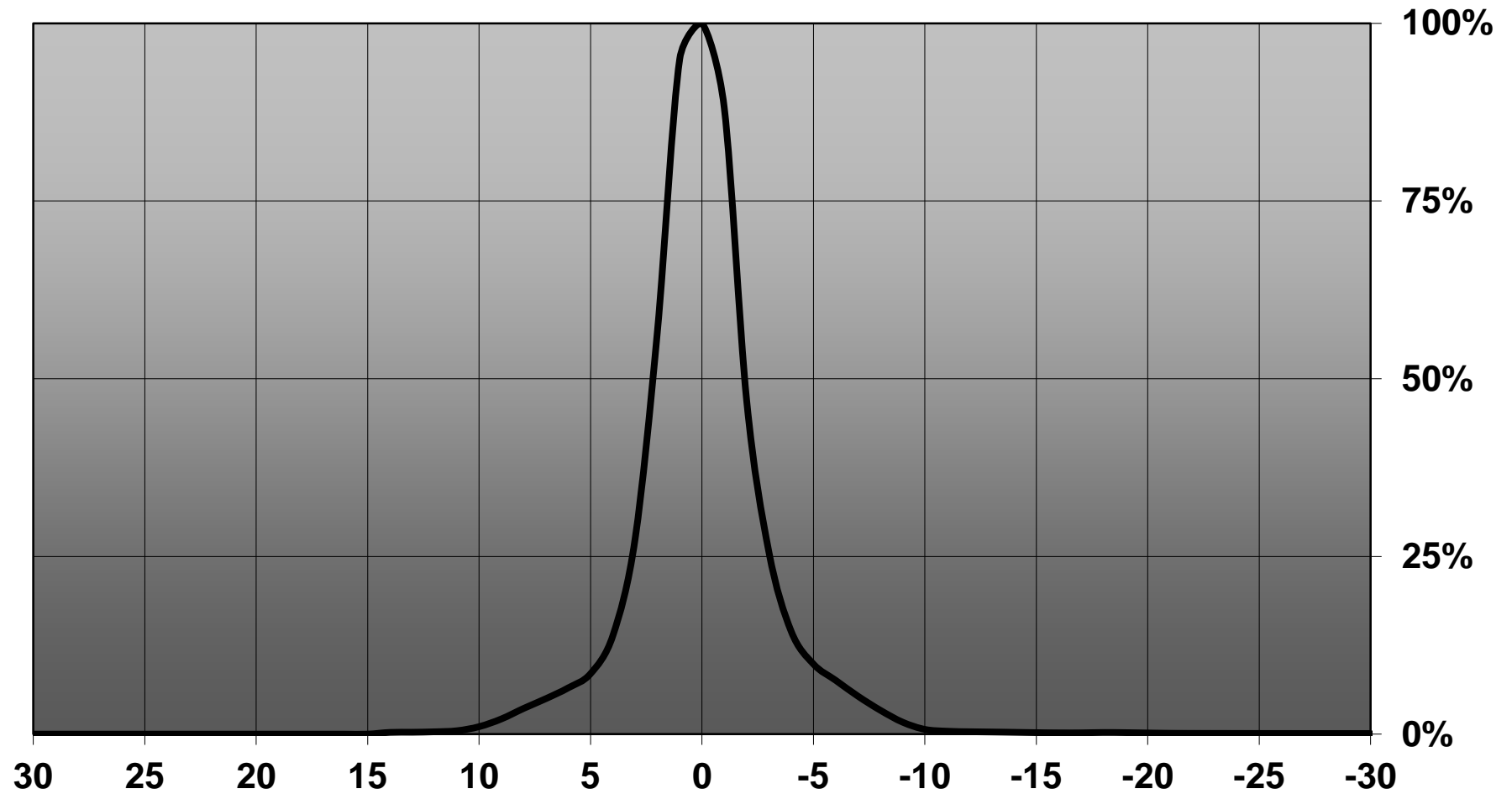
Relative intensity of CN13595_CRYSTAL-MINE_(Luxeon_T)



Relative intensity of CN13595_CRYSTAL-MINE_(NCSxx19B)

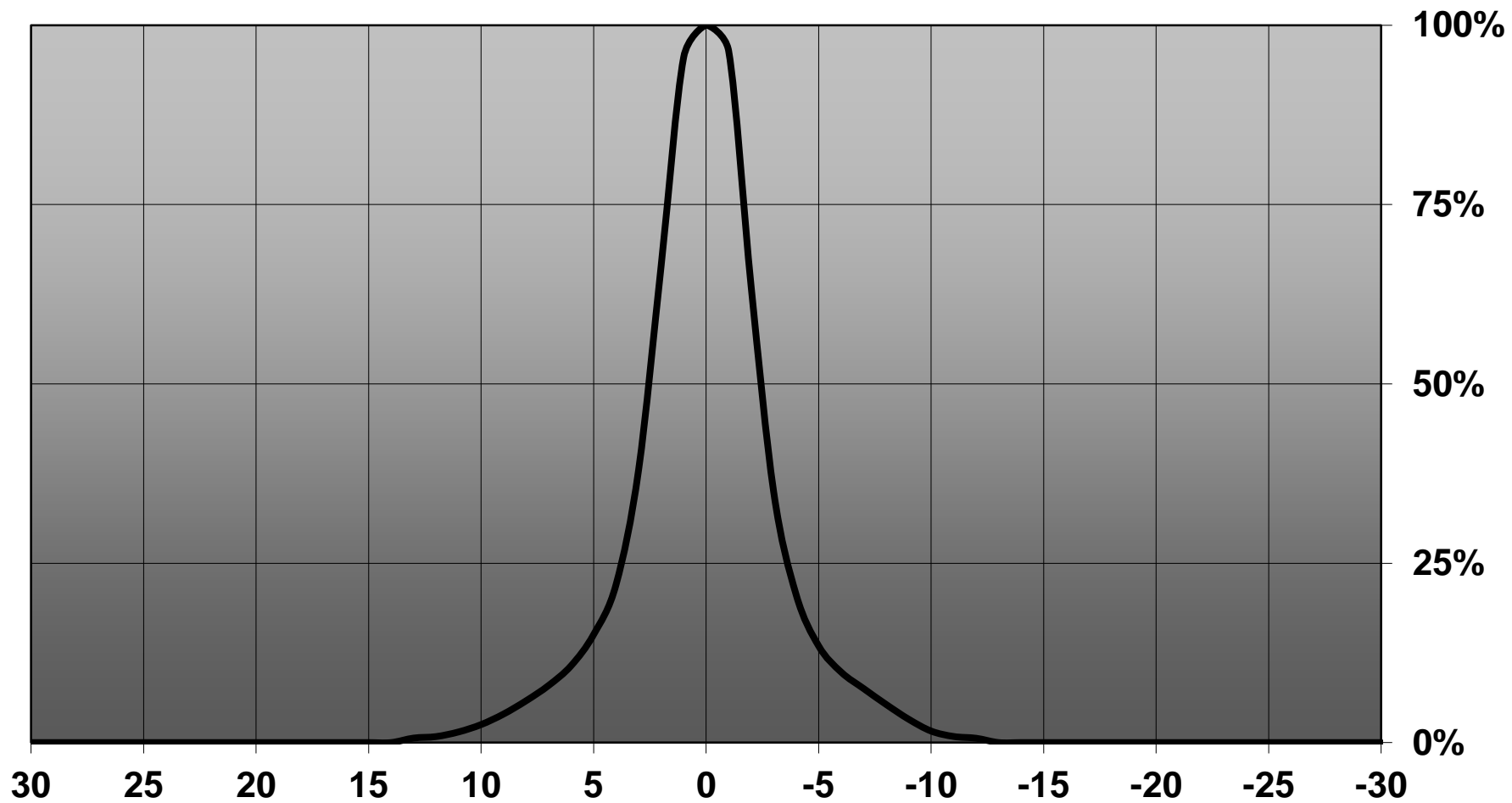


Relative intensity of C12985_CRYSTAL-MINE_(LH351Z)



— 1: 0-180

Relative intensity of C12985_CRYSTAL-MINE_(LH351B)

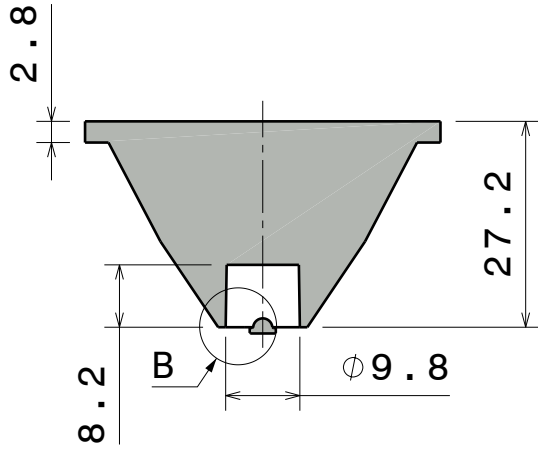


D

C

B

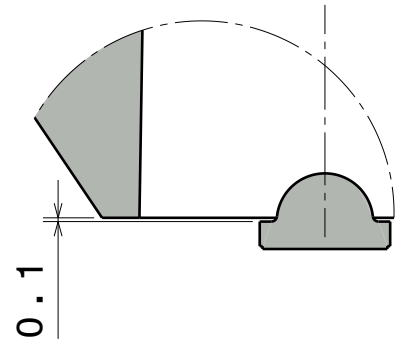
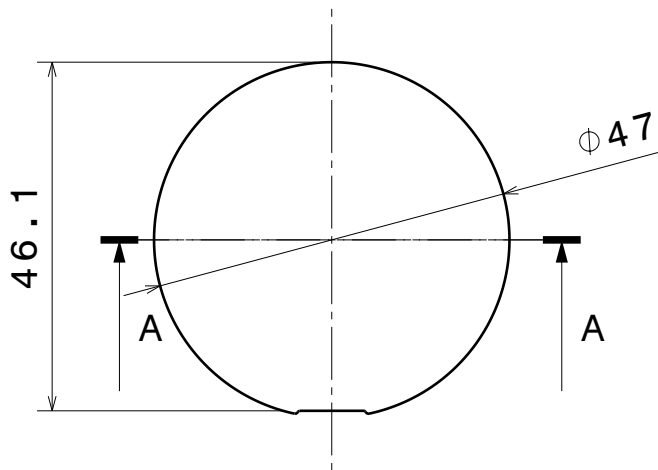
A



Section view A-A
Scale: 1:1



Isometric view
Scale: 1:1



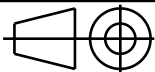
Detail B
Scale: 5:1

Tolerances if not otherwise shown
According to DIN ISO 2768-1
Linear measures: class C
According to DIN ISO 2768-2
Form and position: class L

LEDiL

Ledil Oy
Salorankatu 10
FIN 24240 SALO
Finland

THIRD ANGLE PROJECTION:



DRAWING TITLE

CRYSTAL_MechDrawing

This drawing is the property
of LEDiL Oy. It may not be
reproduced, copied or
communicated without a written
agreement with LEDiL Oy.

SIZE PART NUMBER

A4

-

SCALE 1:1 WEIGHT

-

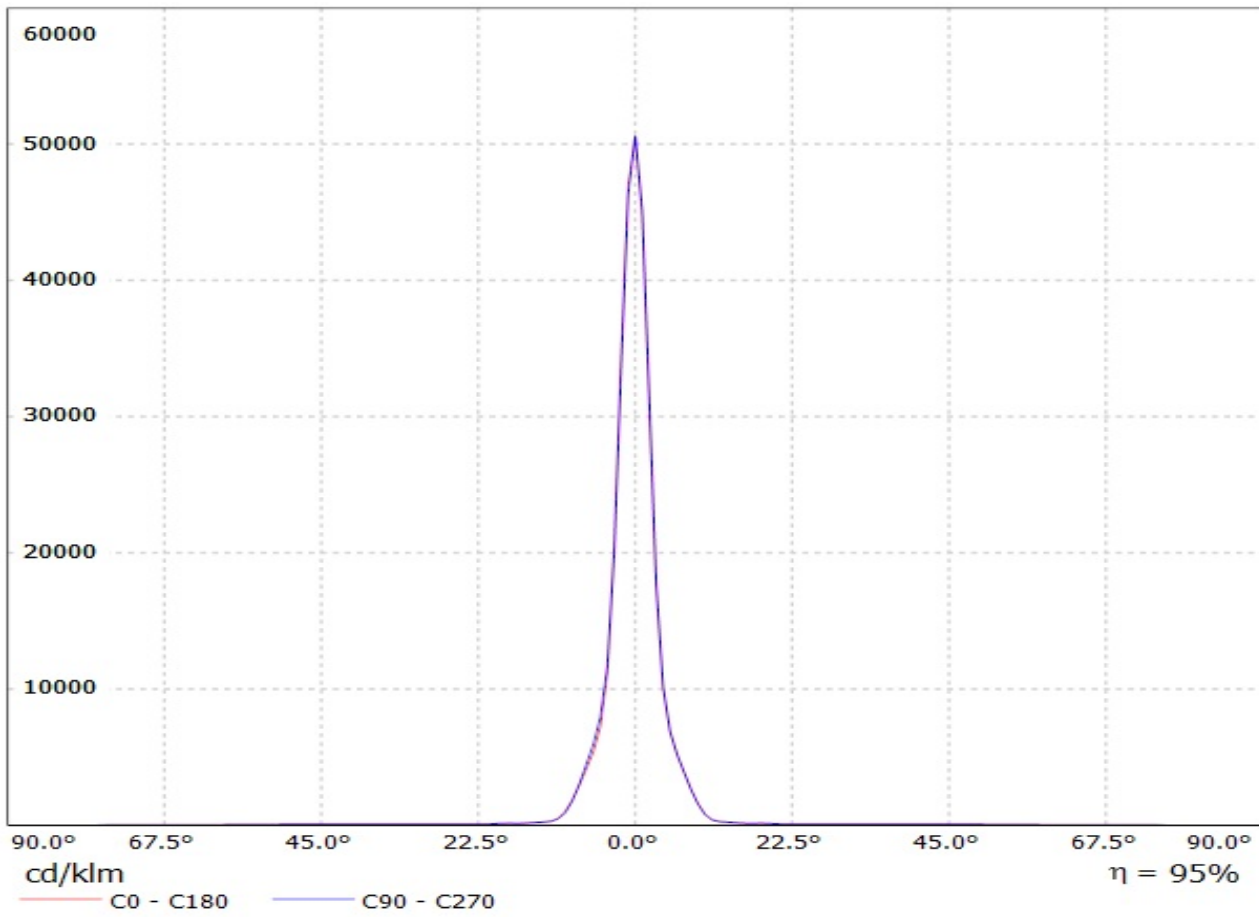
SHEET 1/1

D

A

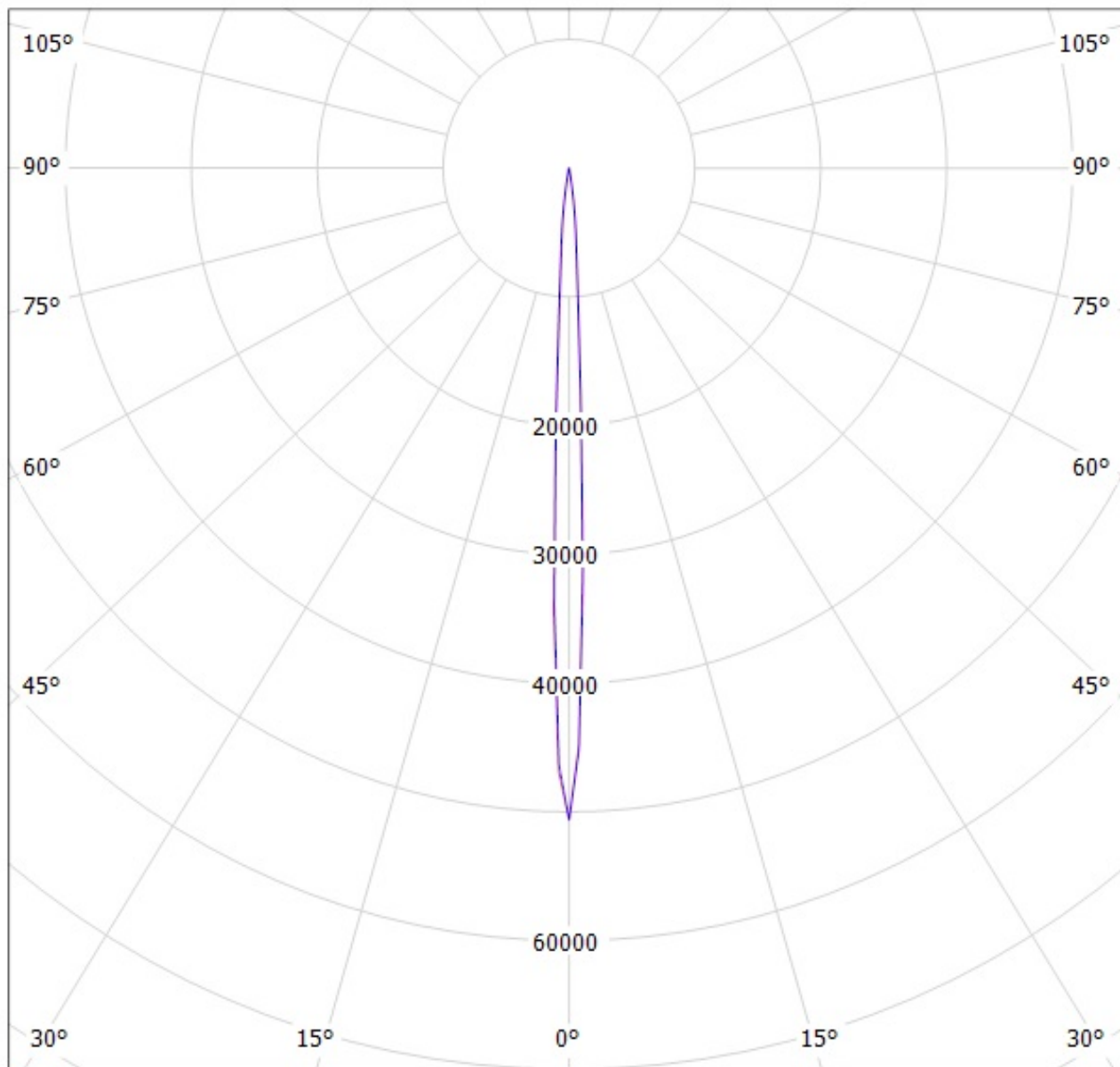
Luminaire: LEDiL Oy C12985_CRYSTAL-MINE_(Luxeon_TX)

Lamps: 1 x Philips_Lumileds_Luxeon_TX_(L1T2-3585)_79.5244lm@250mA_CCT=3554K_P=0.740729W_I=0.2499A



Luminaire: LEDiL Oy C12985_CRYSTAL-MINE_(Luxeon_TX)

Lamps: 1 x Philips_Lumileds_Luxeon_TX_(L1T2-3585)_79.5244lm@250mA_CCT=3554K_P=0.740729W_I=0.2499A



cd/klm

$\eta = 95\%$

— C0 - C180 — C90 - C270

NOTE: The typical divergence will be changed by different color, chip size and chip position tolerance. The typical total divergence is the full angle measured where the luminous intensity is half of the peak value.