

**D-SERIES DRI  
DRI424730**

**Weidmüller Interface GmbH & Co. KG**  
 Klingenbergstraße 26  
 D-32758 Detmold  
 Germany  
 Fon: +49 5231 14-0  
 Fax: +49 5231 14-292083  
 www.weidmueller.com

**Product image**


Similar to illustration

Relay from the D-SERIES DRI

- 1 or 2 CO contacts
- Robust industrial plug-in connections
- Optional: latching / spring return operable test button with coloured control voltage identification (AC coil: red / DC coil: blue)
- Optional: Mechanical switch position indication (for version with test button)
- Optional: Bright status LED (AC coil: red / DC coil: green)
- Optional: free-wheeling diode

**General ordering data**

Type	DRI424730
Order No.	<a href="#">7760056327</a>
Version	D-SERIES DRI, Relay, Number of contacts: 2 CO contact AgNi, Rated control voltage: 230 V AC, Continuous current: 5 A, Flat blade connections (2.5 mm x 0.5 mm)
GTIN (EAN)	6944 169740329
Qty.	20 pc(s).

**D-SERIES DRI  
DRI424730**

**Weidmüller Interface GmbH & Co. KG**  
 Klingenbergstraße 26  
 D-32758 Detmold  
 Germany  
 Fon: +49 5231 14-0  
 Fax: +49 5231 14-292083  
 www.weidmueller.com

**Technical data****Dimensions and weights**

Width	13 mm	Width (inches)	0.512 inch
Height	31 mm	Height (inches)	1.22 inch
Depth	28 mm	Depth (inches)	1.102 inch
Net weight	19 g		

**Temperatures**

Humidity	35...85 % rel. humidity, no condensation	Operating temperature, max.	55 °C
Operating temperature, min.	-40 °C	Storage temperature, max.	85 °C
Storage temperature, min.	-40 °C	Operating temperature	-40 °C...55 °C
Storage temperature	-40 °C...85 °C		

**Environmental Product Compliance**

REACH SVHC	Lead 7439-92-1
------------	----------------

**Rated data UL**

Certificate No. (cURus)	E312083
-------------------------	---------

**Input**

Rated control voltage	230 V AC	Rated current AC	4,9 mA
Power rating	1.1 VA	Pull-in/drop-out voltage, typ.	184 V / 69 V AC
Coil resistance	23500 Ω ± 10 %		

**Output**

Rated switching voltage	250 V AC	Max. switching voltage, AC	250 V
Max. switching voltage, DC	250 V	Continuous current	5 A
AC switching capacity (resistive), max.	1250 VA	DC switching capacity (resistive), max.	150 W @ 24 V
Switch-on delay	≤ 15 ms	Switch-off delay	≤ 10 ms
Min. switching power	10 mA @ 12 V, 100 mA @ 5 V	Max. switching frequency at rated load	0.1 Hz

**Contact data**

Contact type	2 CO contact (AgNi)	Mechanical service life	10 x 10 <sup>6</sup> switching cycles
--------------	---------------------	-------------------------	---------------------------------------

**General data**

Test button	No	Mechanical switch position indicator	No
Colour	Transparent	UL 94 flammability rating	V-2

**Insulation coordination**

Rated voltage	300 V	Surge voltage category	III
Pollution severity	2	Insulating material group	IIIa
Protection degree	IP20	Dielectric strength, Input/Output	5 kV <sub>eff</sub> / 1 min
Creepage and clearance distance input - output	≥ 4 mm	Dielectric strength of neighbouring contacts	1.5 kV <sub>eff</sub> / 1 min.
Dielectric strength of open contact	1 kV <sub>eff</sub> / 1 min	Impulse withstand voltage	5 kV (1.2/50 μs)

**Data sheet**

**D-SERIES DRI  
DRI424730**

**Weidmüller Interface GmbH & Co. KG**  
 Klingenbergstraße 26  
 D-32758 Detmold  
 Germany  
 Fon: +49 5231 14-0  
 Fax: +49 5231 14-292083  
 www.weidmueller.com

**Technical data**

**Further details of approvals / standards**

Standards	IEC 61810-1, EN 60664-1:2007, EN 61000-6-2:2005, EN 61000-6-4:2007 + A1:2011, UL 508	Certificate No. (cURus)	E312083
-----------	--	-------------------------	---------

**Connection data**

Wire connection method	Flat blade connections (2.5 mm x 0.5 mm)
------------------------	--

**Classifications**

ETIM 6.0	EC001437	ETIM 7.0	EC001437
eClass 9.0	27-37-16-01	eClass 9.1	27-37-16-01
eClass 10.0	27-37-16-01		

**Approvals**

Approvals	
-----------	--

ROHS	Conform
------	---------

**Downloads**

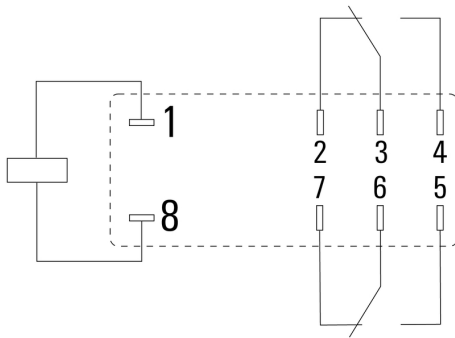
Approval/Certificate/Document of Conformity	<a href="#">EU Konformitätserklärung / EU Declaration of Conformity</a>
Engineering Data	<a href="#">EPLAN, WSCAD</a>
Engineering Data	<a href="#">STEP</a>

**D-SERIES DRI  
DRI424730**

**Weidmüller Interface GmbH & Co. KG**  
 Klingenbergstraße 26  
 D-32758 Detmold  
 Germany  
 Fon: +49 5231 14-0  
 Fax: +49 5231 14-292083  
 www.weidmueller.com

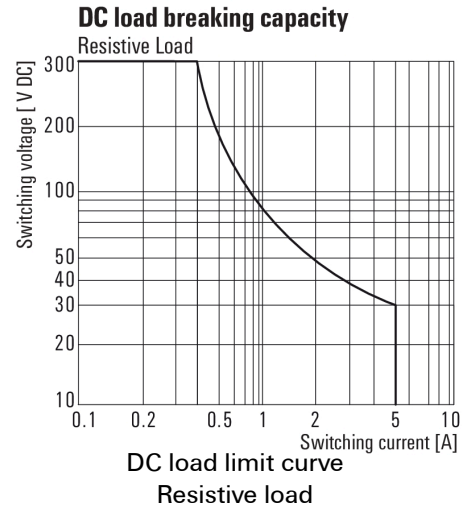
**Drawings**

**Wiring diagram**

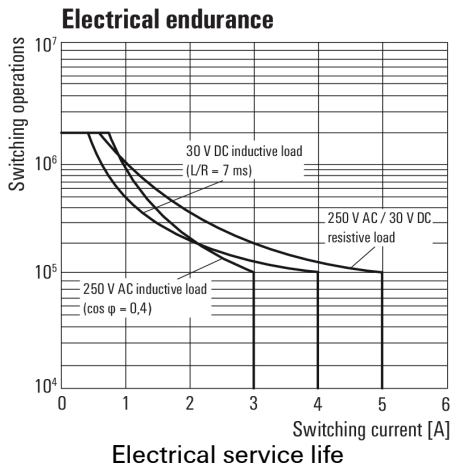


View of Pins from below

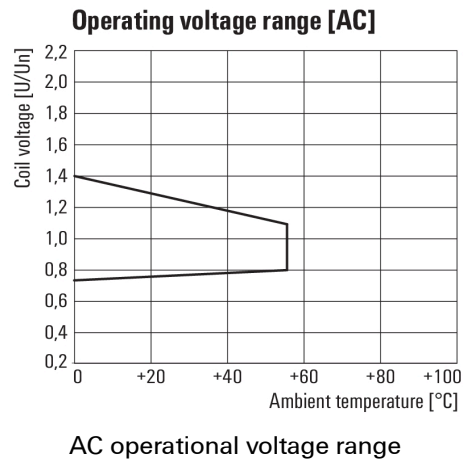
**Graph**



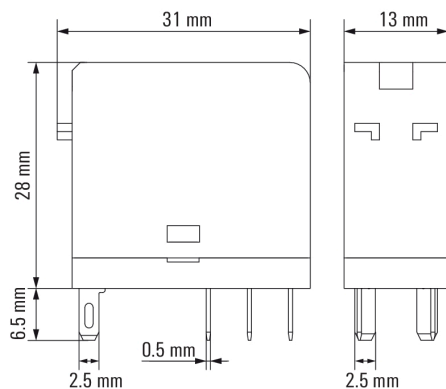
**Graph**



**Graph**



**Dimensional drawing**



## D-SERIES DRI DRI424730

**Weidmüller Interface GmbH & Co. KG**  
 Klingenbergstraße 26  
 D-32758 Detmold  
 Germany  
 Fon: +49 5231 14-0  
 Fax: +49 5231 14-292083  
 www.weidmueller.com

## Mating connector (fully pluggable)

### Base



Accessories for D-SERIES relays include:

- Relay bases
- LED / Protective modules
- Metal retaining clips

### General ordering data

Type	SDI 2CO ECO	Version
Order No.	<a href="#">7760056347</a>	D-SERIES DRI, Relay bases, Number of contacts: 2 CO contact,
GTIN (EAN)	6944169739941	Continuous current: 8 A, Screw connection
Qty.	10 pc(s).	
Type	SDI 2CO	Version
Order No.	<a href="#">7760056351</a>	D-SERIES DRI, Relay bases, Number of contacts: 2 CO contact,
GTIN (EAN)	6944169739989	Continuous current: 8 A, Screw connection
Qty.	10 pc(s).	
Type	SDI 2CO P	Version
Order No.	<a href="#">7760056365</a>	D-SERIES DRI, Relay bases, Number of contacts: 2 CO contact,
GTIN (EAN)	6944169772290	Continuous current: 8 A, PUSH IN with actuator
Qty.	20 pc(s).	
Type	SDI 2CO F ECO	Version
Order No.	<a href="#">7760056349</a>	D-SERIES DRI, Relay bases, Number of contacts: 2 CO contact,
GTIN (EAN)	6944169739965	Continuous current: 8 A, Screw connection
Qty.	10 pc(s).	

## D-SERIES DRI DRI424730

**Weidmüller Interface GmbH & Co. KG**  
 Klingenbergstraße 26  
 D-32758 Detmold  
 Germany  
 Fon: +49 5231 14-0  
 Fax: +49 5231 14-292083  
 www.weidmueller.com

# Accessories

## MultiCard



The Weidmüller device markers enable users to conform to obligatory equipment labelling regulations. Users can label the device markers themselves by means of suitable software and system-compatible printer systems. ESG is the tried-and-tested marker in MultiCard format. The result is high-quality device marking with a high-contrast appearance.

ESG 6/15 SDI MC... for marking D-SERIES DRI relay sockets:

- Attachable MultiCard markers
- Depending on the relay socket it is attachable on up to 4 levels
- Additional option for attaching the marker on plastic retaining clip: SDI CLIP P
- PrintJet printable

### General ordering data

Type	ESG 6/15 SDI MC SDR	Version
Order No.	<a href="#">2558310000</a>	ESG, Device markers x 15 mm, PA 66, Colour: To customer specification
GTIN (EAN)	4050118569025	
Qty.	40 pc(s).	

Type	ESG 6/15 SDI MC NE WS	Version
Order No.	<a href="#">2558340000</a>	ESG, Device markers x 15 mm, PA 66, Colour: white
GTIN (EAN)	4050118569056	
Qty.	200 pc(s).	

## Retaining clip



Accessories for D-SERIES relays include:

- Relay bases
- LED / Protective modules
- Metal retaining clips

### General ordering data

Type	SDI CLIP LM	Version
Order No.	<a href="#">7760056368</a>	D-SERIES DRI, Retaining clip
GTIN (EAN)	6944169773341	
Qty.	10 pc(s).	

Type	SDI CLIP P	Version
Order No.	<a href="#">7760056389</a>	D-SERIES DRI, Retaining clip
GTIN (EAN)	6944169787539	
Qty.	10 pc(s).	

**Data sheet**

**D-SERIES DRI  
DRI424730**

**Weidmüller Interface GmbH & Co. KG**  
 Klingenbergstraße 26  
 D-32758 Detmold  
 Germany  
 Fon: +49 5231 14-0  
 Fax: +49 5231 14-292083  
 www.weidmueller.com

**Accessories**

Type	SDI CLIP	Version
Order No.	<a href="#">7760056352</a>	D-SERIES DRI, Retaining clip
GTIN (EAN)	6944169739996	
Qty.	10 pc(s).	

**LED**



Accessories for D-SERIES relays include:

- Relay bases
- LED / Protective modules
- Metal retaining clips

**General ordering data**

Type	RIM 3 110/230VUC	Version
Order No.	<a href="#">7940018455</a>	D-SERIES, LED module, Rated control voltage: 110...230 V UC, Plug-in connection
GTIN (EAN)	4032248878185	
Qty.	20 pc(s).	

**Base**



Accessories for D-SERIES relays include:

- Relay bases
- LED / Protective modules
- Metal retaining clips

**General ordering data**

Type	SDI 2CO ECO	Version
Order No.	<a href="#">7760056347</a>	D-SERIES DRI, Relay bases, Number of contacts: 2 CO contact, Continuous current: 8 A, Screw connection
GTIN (EAN)	6944169739941	
Qty.	10 pc(s).	
Type	SDI 2CO	Version
Order No.	<a href="#">7760056351</a>	D-SERIES DRI, Relay bases, Number of contacts: 2 CO contact, Continuous current: 8 A, Screw connection
GTIN (EAN)	6944169739989	
Qty.	10 pc(s).	
Type	SDI 2CO P	Version
Order No.	<a href="#">7760056365</a>	D-SERIES DRI, Relay bases, Number of contacts: 2 CO contact, Continuous current: 8 A, PUSH IN with actuator
GTIN (EAN)	6944169772290	
Qty.	20 pc(s).	

**Data sheet**

**D-SERIES DRI  
DRI424730**

**Weidmüller Interface GmbH & Co. KG**  
 Klingenbergstraße 26  
 D-32758 Detmold  
 Germany  
 Fon: +49 5231 14-0  
 Fax: +49 5231 14-292083  
 www.weidmueller.com

**Accessories**

Type	SDI 2CO F ECO	Version
Order No.	<a href="#">7760056349</a>	D-SERIES DRI, Relay bases, Number of contacts: 2 CO contact,
GTIN (EAN)	6944169739965	Continuous current: 8 A, Screw connection
Qty.	10 pc(s).	

**Protection modules**



Accessories for D-SERIES relays include:

- Relay bases
- LED / Protective modules
- Metal retaining clips

**General ordering data**

Type	RIM 3 110/230VAC LED	Version
Order No.	<a href="#">7760056045</a>	D-SERIES, RC filter, Rated control voltage: 110...230 V AC, Plug-in connection
GTIN (EAN)	4032248878147	
Qty.	10 pc(s).	
Type	RIM 3 110/230VAC	Version
Order No.	<a href="#">7760056014</a>	D-SERIES, RC filter, Rated control voltage: 110...230 V AC, Plug-in connection
GTIN (EAN)	4032248878109	
Qty.	10 pc(s).	



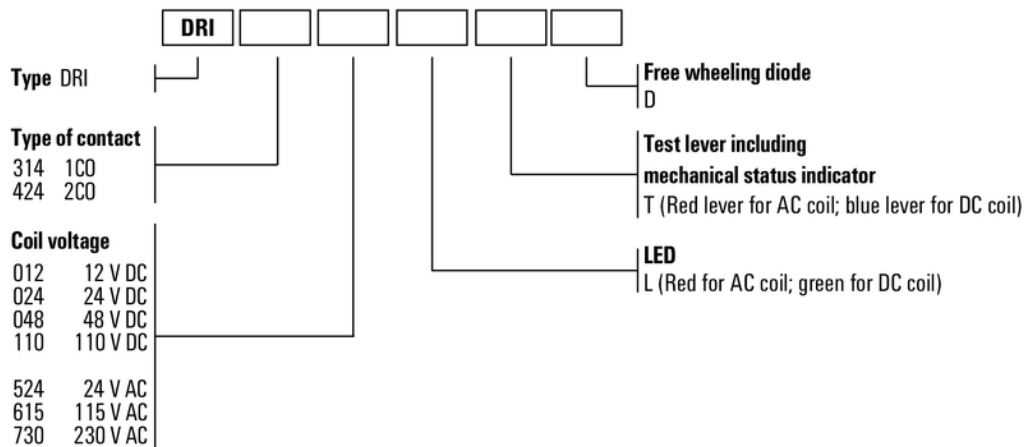
**Data sheet**

**D-SERIES DRI  
DRI424730**

**Weidmüller Interface GmbH & Co. KG**  
 Klingenbergstraße 26  
 D-32758 Detmold  
 Germany  
 Fon: +49 5231 14-0  
 Fax: +49 5231 14-292083  
 www.weidmueller.com

**Drawings**

**Miscellaneous**



Type codes