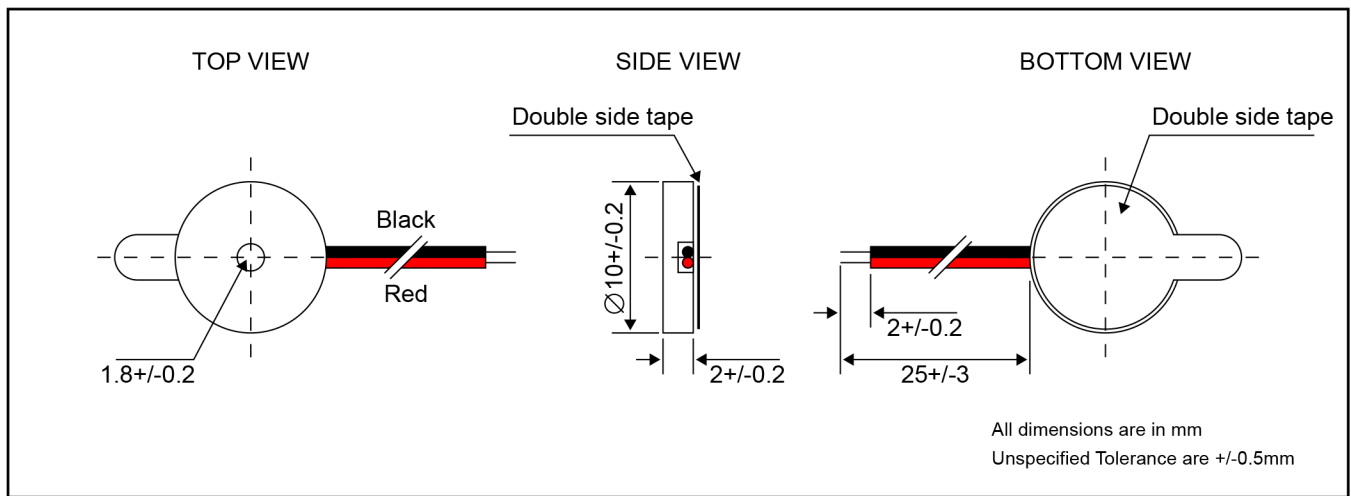


External Drive Piezo Transducer SPT59 series



DIMENSIONS

Date : 30 Jun.,2016



Ref. no. : SR132-R



ELECTRICAL SPECIFICATIONS

Model No.	LD-BZPN-1002
Sound Pressure Level	75 dBA min. [10 Vp-p Square Wave, 10cm, 4500Hz]
Capacitance	10500 pF +/- 30% at 100Hz
Max. Input Voltage	30V p-p
Operating Temperature [°C]	-30 ~ +100
Storage Temperature [°C]	-30 ~ +100
Terminal	Wire - UL1571 AWG#32
Housing Material	PPO
Housing Colour	Black
Weight [gm]	0.2