

Technical data sheet

Junction box A 8

Art.-Nr. 2000016



Protection rating IP55, nominal voltage 400 V, nominal cross-section 2,5 mm², 7 entries for cable diameter 5–14 mm.
Clamshell.
Dimensions: 75 x 75 x 36,2 mm
Clear internal dimensions: 65x65x32 mm
1 cut-out tool for every 10 boxes



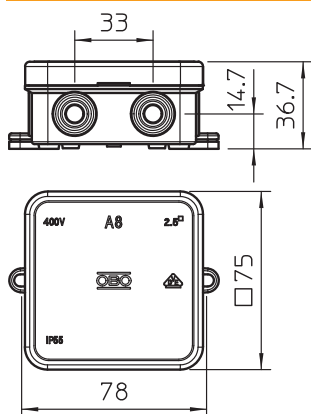
PE Polyethylene

Product additional text 1 | A8 VDE empty: without terminal block

Master data

Item No.	2000016
Type	A 8
Description 1	Junction box
Dimension	75x75x36
Colour	Light grey
RAL number	7.035,00
Material	Polyethylene
Material symbol	PE
Smallest sales unit	10,00 pcs
Weight	3,65 kg/100 pcs.

Technical specifications



Length	75,00 mm
Width	75,00 mm
Height	36,20 mm
Clear internal dimensions	65x65x32 mm
Dimension LxWxH	75x75x36,2 mm
Dimension	75 x 75 x 36,2 mm
Expandable	<input checked="" type="checkbox"/>
No. of entries	7,00
Type of entry	Cable
Type of entry	Cable
Type of housing penetration	Pre-marking
Measured insulation voltage Vi	400,00 V
Equipment	Without
Cover	Transparent
Cover fastening	Locking
Entries	7 entries for cable diameter 5–14 mm
Entry from rear	<input checked="" type="checkbox"/>
Explosion-tested version	<input checked="" type="checkbox"/>
Flame resistant	flame resistant to VDE 0471/DIN 695 Part 2-1, test temperature 650° C
Shape	Square
Function maintenance (ETIM)	Without
For Ex zone	Without

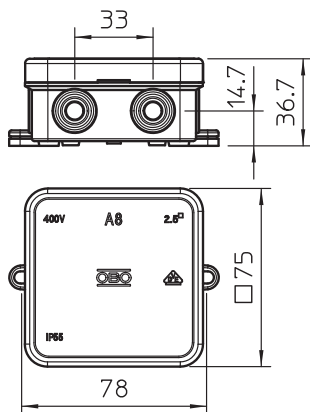
Technical data sheet

Junction box A 8

Art.-Nr. 2000016



Technical specifications



For Ex zone gas	Without
For Ex zone dust	Without
Halogen-free	<input checked="" type="checkbox"/>
Max. conductor cross-section	2,50 mm ²
With screening	<input checked="" type="checkbox"/>
With cover	<input checked="" type="checkbox"/>
Installation type	Wall/ceiling mounting
Mounting type	Wall/ceiling mounting
Nominal cross section	2,50 mm ²
Nominal voltage	400,00 V
Protection rating	IP55
Sealable	<input checked="" type="checkbox"/>
max. permitted ambient temperature	-5,00 - 45,00 °C
Transparent lid	<input checked="" type="checkbox"/>
Weatherproof	<input checked="" type="checkbox"/>