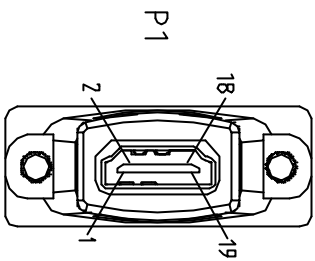


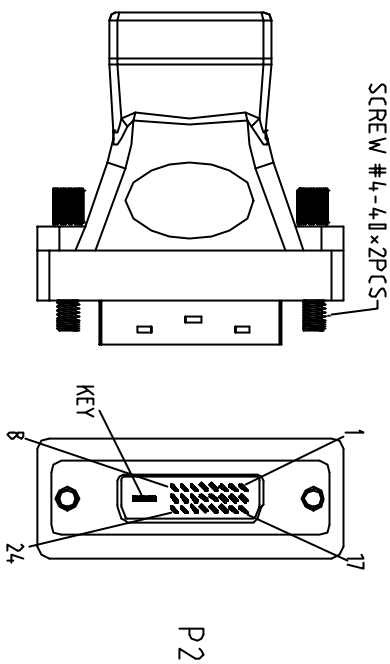
ROHS - COMPLIANT

LTR	REV.	DESCRIPTION	DATE

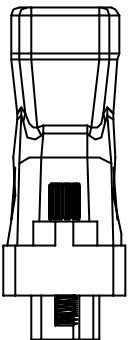
HDMI FEMALE
PLASTIC:BLACK



DVI_D MALE
PLASTIC:BLACK



- NOTE:
- 1.HOOK UP WIRE:NON-UL 28AWG
 - 2.CONNECTOR:



HDMI	PIN OUT	DVI_D	CABLE FUNCTION
P1		P2	
1		2	TMDS DATA 2+
3		1	TMDS DATA 2-
2		3	TMDS DATA 2 SHIELD
4		10	TMDS DATA 1+
6		9	TMDS DATA 1-
5		11	TMDS DATA 1 SHIELD
7		18	TMDS DATA 0+
9		17	TMDS DATA 0-
8		19	TMDS DATA 0 SHIELD
10		23	TMDS CLOCK +
12		24	TMDS CLOCK -
11		22	TMDS CLOCK SHIELD
15		6	DDC CLOCK/ISCLL
16		7	DDC DATA/SDAI
17		15	GROUND/1+5V&DDCI
18		14	POWER +5V
19		16	HOT PLUG DETECT
			SHELL GROUND

- P1: HDMI 19P FEMALE CONTACT:15U"; SHELL:NICKEL-PLATED .
- P2: DVI 24+KEY DIGITAL MALE CONTACT:G/F,SHELL:NICKEL-PLATED .
- INNER MOLD WITH COPPER FOIL
- HOOD:MOLDED TYPE,PVC 45P,COLOR:BLACK(NK-K01) .
- ELECTRICAL TEST :

- 100% OPEN SHORT & MIS WIRE TEST .
- CONTACT RESISTANCE 3 ohm Max .
- INSULATION RESISTANCE 5M ohm Min .
- PACKING: <1>EACH PC / POLYBAG + EAN CODE LABEL & ROHS LABEL
- EAAN CODE:4260113560075

2DIRECT GMBH

Title
HDMI 19 FEMALE TO DVI_D 24+KEY MALE ADAPTOR

Tolerance	Inch	M/M
X	.015	.30
XX	.010	.10
XXX	.005	.05

Drawn
FANNIE 04/14/06

Customer P/N: AH0001

Check

App'd

Customer:

Engr

Scale NONE Units m/m

Dwg No. 160-1292 REV:A Sheet 1/2