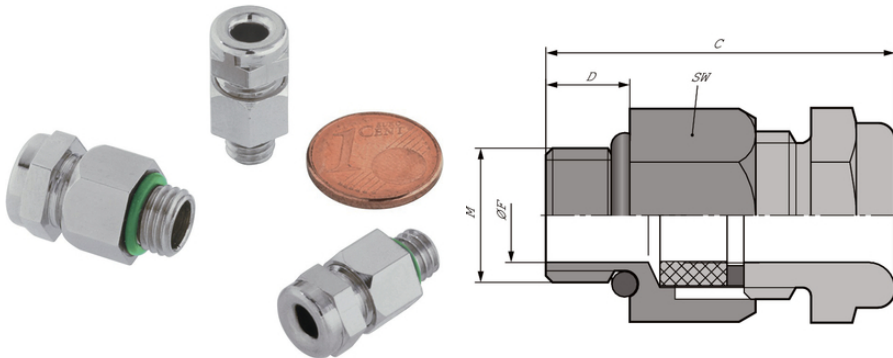


SKINDICHT® MINI FKM

SKINDICHT® MINI, cable gland for the smallest conductor sizes and high packing density, gentle cable clamping and high degree of protection

Info

For high temperature ranges up to max. +200°C



Temperature-resistant



Acid-resistant



Robust



Space requirement



Heat-resistant



Good chemical resistance



Kompletterande automationskomponenter från Lapp

Benefits

High degree of protection

For the smallest conductor sizes

Low height

Gentle cable clamping

High packing density

SKINDICHT® MINI FKM

Application range

For use wherever there is limited assembly space.

Sensors

Measurement and control technology

Product features

Suitable for high temperature and aggressive media surroundings

Technical Data

Classification ETIM 5:	ETIM 5.0 Class-ID: EC000441 ETIM 5.0 Class-Description: Cable screw gland
Classification ETIM 6:	ETIM 6.0 Class-ID: EC000441 ETIM 6.0 Class-Description: Cable screw gland
Caution:	Recommendation of torque M 6 x 1 1,5 Nm M 8 x 1 3,0 Nm M 10 x 1 6,0 Nm
Material:	Body: Nickel-plated brass Sealing: FKM
Protection rating:	IP 66 IP 68 - 5 bar
Temperature range:	-20°C up to +200°C

Note

Photographs and graphics are not to scale and do not represent detailed images of the respective products.

Prices are net prices without VAT and surcharges. Sale to business customers only.



SKINDICHT® MINI FKM

Article number	Article designation / size	Clamping range ØF (mm)	SW wrench size mm	Overall length, C (mm)	Thread length, D (mm)	Clear opening F (mm)
52001889	M 6 x 1	2 - 3	9	19.7	5	3.0
52001887	M 8 x 1	3.5 - 5.5	11	20.5	5	5.5
52001894	M 10 x 1	5 - 7	14	22.3	5	7.4

Last Update (10.04.2018)

©2018 Lapp Group - Technical changes reserved

Product Management www.lappkabel.de

You can find the current technical data in the corresponding data sheet.
PN 0456 / 02_03.16