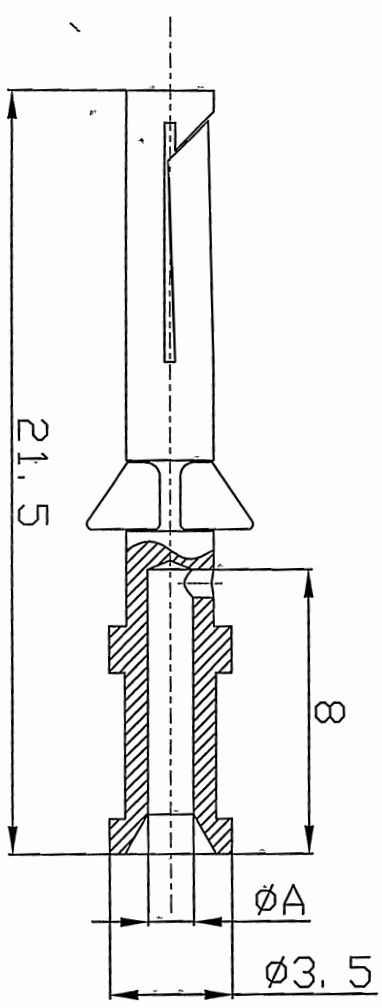


REVISION RECORD			
REV	ECN	DESCRIPTION	DATE

Contacts, silver-plated	(∅A)	Wire gauge		Recommended stripping length
		(mm ²)	(AWG)	
◆ 10A-SF-0.37	0.9	0.14-0.37	26-22	8mm
10A-SF-0.5	1.1	0.50	20	8mm
10A-SF-0.75	1.3	0.75	18	8mm
10A-SF-1.0	1.45	1.00	18	8mm
10A-SF-1.5	1.75	1.50	16	8mm
10A-SF-2.5	2.25	2.50	14	6mm



- Crimp contacts
- 01. Material : Copper alloy
 - 02. Surface : hard-silver plated
 - 03. Contact resistance : ≤3mΩ
 - 04. Terminal : Crimp connection
 - 05. Wire gauge : 0.37-2.5mm² (AWG 22-14)
 - 06. Rohs Compliance

DETACHED LISTS		PART NO. : /	
APPD: H152016-812	NAME: DEGSON 宁波高松电子有限公司	NINGBO DEGSON ELECTRICAL CO., LTD	
CHKD: Mr. Yong 2016.08.08	TITLE: CUSTOMER DRAWING	10A-Female Contacts	
DRAWING NO. : /	REV	DO	DO
THIRD ANGLE PROJECTION	DO NOT SCALE DRAWING	SCALE	5:1