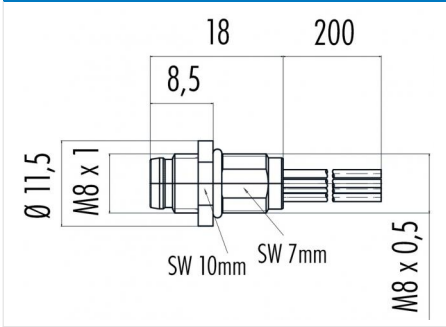


Product description	M8 male panel mount connector, Contacts: 4, not shielded, single wires, IP67 (snap), UL, M8x0.5
Area	M8 series 718
Order number	76 6019 0111 00004-0200

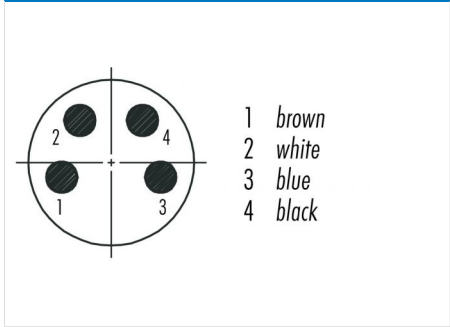
Illustration



Scale drawing



Contact arrangement (Plug-in side)



You can find the assembly instructions on the next page.

Technical data

General values

Notice	Please note that, due to the change from the old to the new order number, there may be deviations in the technical specifications. For questions about product details, please use the 'Contact Customer Service' form on the right.
Connector design	male panel mount connector
Connector locking system	snap, screw
Termination	single wires
Wire gauge (mm)	0.25 mm ²
Wire gauge (AWG)	24
Upper limit temperature	85 °C
Lower limit temperature	-40 °C
Customs tariff number	85369054

Cable data

Approval 1	UL
------------	----

Electrical values

Rated current (40 °C)	4 A
Rated voltage	60 V
Rated impulse voltage	1500 V
Pollution degree	3
Overvoltage category	II
Insulating material group	II
EMC compliance	not shielded
Degree of protection	IP67 (snap) IP67 (screw)
Mechanical operation	> 100 Mating cycles

Material

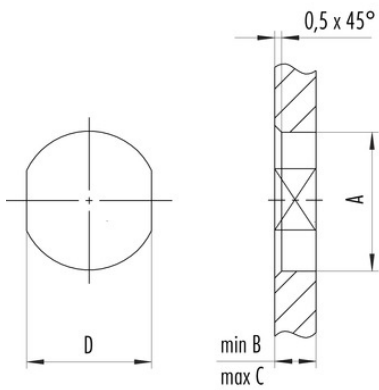
Contact material	CuZn (brass)
Contact plating	Au (gold)
Contact body material	PA
Housing material	CuZn (Brass nickel plated)
REACH SVHC	CAS 80-05-7 (4,4'-isopropylidendiphenol) CAS 7439-92-1 (Lead) CAS 61788-32-7 (Terphenyl, hydrogenated)

Product description **M8 male panel mount connector, Contacts: 4, not shielded, single wires, IP67 (snap), UL, M8x0.5**
 Area **M8 series 718**
 Order number **76 6019 0111 00004-0200**

Assembly instructions / Panel cut-out

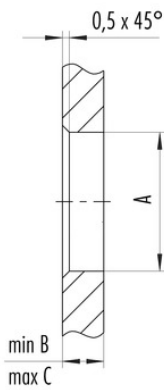
1. Einbauvorschlag

Mit Fläche als Verdrehschutz



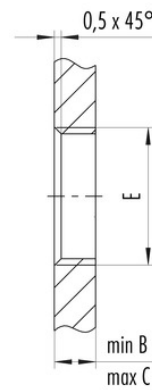
2. Einbauvorschlag

Mit Durchgangsbohrung



3. Einbauvorschlag

Mit Gewinde, einschraubbar



Gewinde E	A	B	C	D
M8 x 0,5	8,1	2,5	3,5	7,1
M8 x 1	8,1	2,5	3,5	7,1
M10 x 0,75	10,1	2,5	5,0	9,1

Anzugsdrehmoment 1 Nm

Product description	M8 male panel mount connector, Contacts: 4, not shielded, single wires, IP67 (snap), UL, M8x0.5
Area	M8 series 718
Order number	76 6019 0111 00004-0200

Security notices

The connectors are designed for use in plant, control system and electrical equipment. The end user is responsible for checking whether the connectors are suitable for use in other applications. Connectors with degree of protection IP 67 and IP 68 are not suitable for use under water. When used outdoors, the connectors must be separately protected against corrosion. For further information about IP degrees of protection refer to 'Technical support' in the Download Centre.