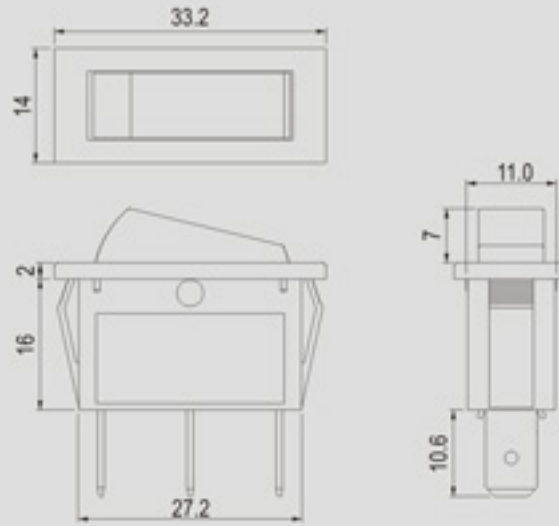


R13-70.91



Rating
16A 125V AC 1/8HP 125VAC 10A 250V AC 1/3HP 250VAC
Contact resistance
50mΩ Max
Insulation resistance
DC 500V 100MΩ Min
Dielectric strength
AC 1500V 1 minute
Cut-out

FEATURES

- * MATERIAL: Frames are nylon (UL flame: 94V-2). Terminals are silver plated brass.
- * Illuminated actuators are molded in PC, available with red, amber and green colors.
- * Snap-in mounting, easy to install switch into panel.
- * The dimension of frame is 33.2*14, for shorter dimension of frame 31.5*14, please refer to page 1-23, item NO. R13-221.
- * **SO terminal is not available for function H & I.**

	X	Y
	X	Y
0.75-1.25	30.2±0.1	11.2±0.1
1.25-2	30.4±0.1	11.2±0.1
2-3	30.8±0.1	11.2±0.1
Cut-out for X8 ROCKER		



	X	Y
	X	Y
0.75-1.25	30.2±0.1	11.2±0.1
1.25-2.0	30.4±0.1	11.2±0.1
2.0-3.0	30.8±0.1	11.2±0.1

Ordering number instruction

R13- -

ROCKER	FUNCTION			TERMINAL
7 0 	Different position (動作特性不同)			0 1 .250" SQ
9 1 	A 	C 	D 	0 5 SO
	Illuminated (帶燈)		Momentary / Illuminated (彈回/帶燈)	
9 1 	B 	B F 		
	Momentary (彈回)			
9 1 	F 	H 	I 	
	Waterproof (防水)			
9 1 	A 8 	B 8 	B 8 F 	
	C 8 	D 8 	F 8 	