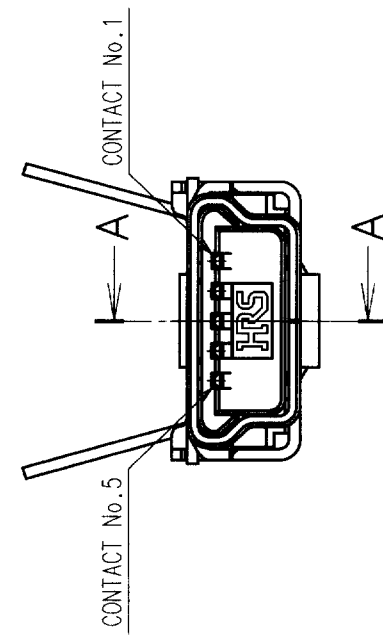
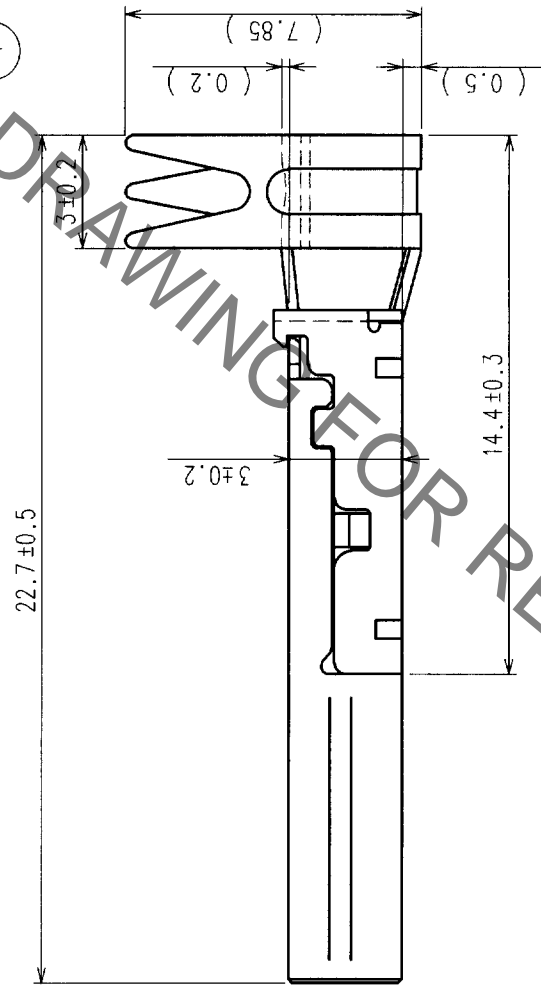
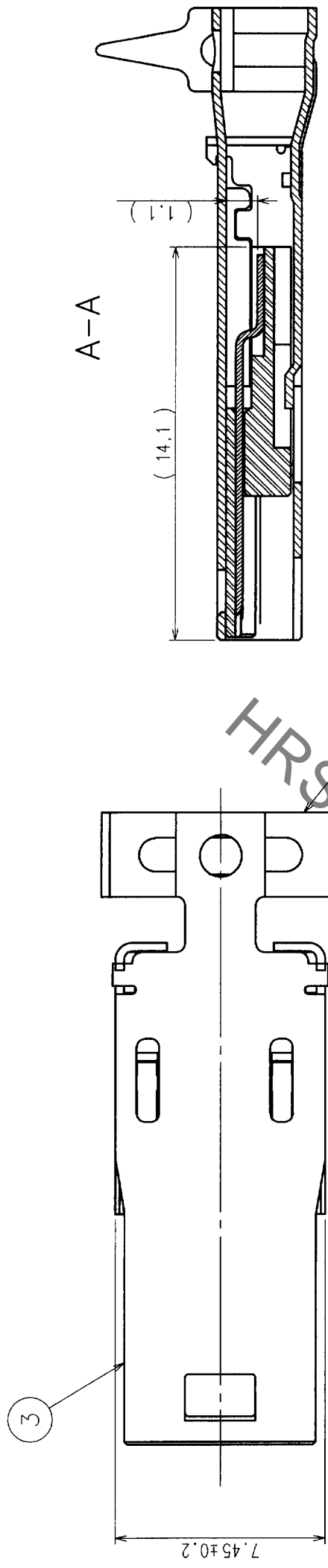
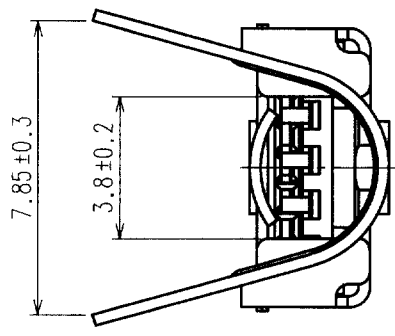
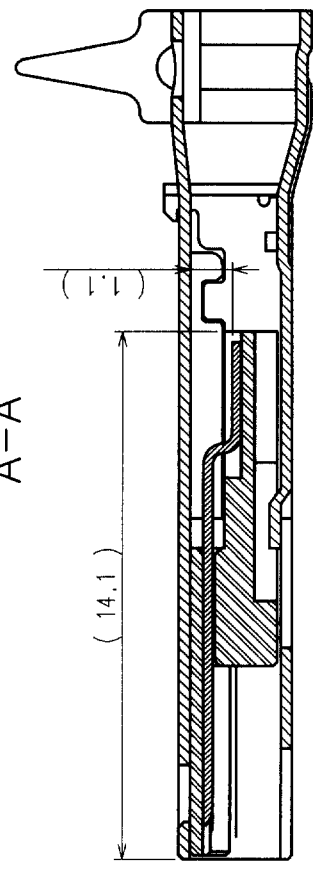


In case of consideration for using Automotive equipment / device which demand high reliability, kindly contact our sales window correspondents.

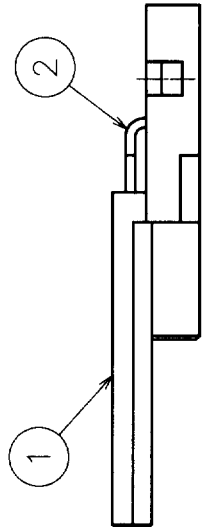
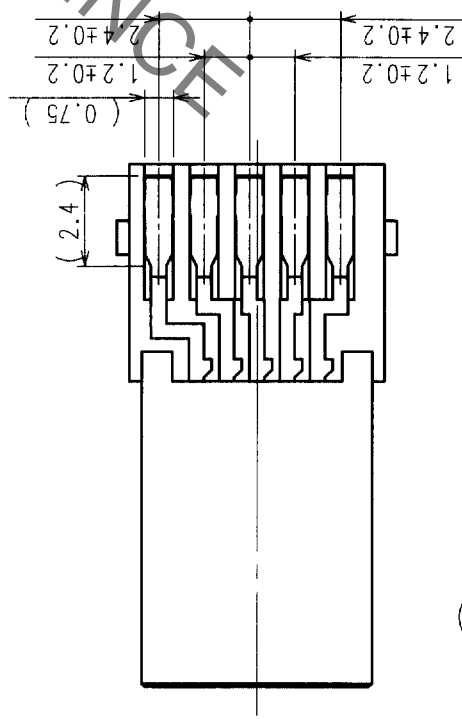
COUNT	DESCRIPTION OF REVISIONS	BY	CHKD	DATE	COUNT	DESCRIPTION OF REVISIONS	BY	CHKD	DATE
1	RE-E-08442	M.K	A.f	02.02.20					



A-A



CONNECTOR UNIT



NOTES 1 INTERFACE DIMENSIONS CONFORM TO USB2.0 STANDARDS.(Mini-B)  
 2 COMPONENTS OF REF.NO. ③ AND ④ ARE APPENDED PRODUCTS.  
 ③ THE DIAMETER OF A CABLE SHOULD FOLLOW φ 4.1 TO φ 4.6 AS A GUIDE.  
 (IT CHANGES A LITTLE WITH HARDNESS OF A SHEATH ETC.)

NO.	COPPER ALLOY	SELECTED GOLD PLATING	4	STELL	TIN ALLOY PLATING	TIN ALLOY PLATING
1	PBT	BLACK UL94V-0	3	STELL	TIN ALLOY PLATING	TIN ALLOY PLATING
NO.	MATERIAL	FINISH, REMARKS	NO.	MATERIAL	FINISH, REMARKS	FINISH, REMARKS
CODE NO. (OLD)						
DRAWN		M.KENJO	DESIGNED	M.KENJO	CHECKED	A.SUZUKI
DATE		01.12.18	DATE	01.12.18	DATE	01.12.18
SCALE		5 : 1	PART NO.		UX40A-MB-5P	
UNITS		mm	DRAWING NO.		EDC3-123440	
			CODE NO.		CL240-0005-0	
			HRS		HIROSE ELECTRIC CO., LTD	

TO