



Frequency generator Adjustable frequency generator Part number 81506940



■ xxx

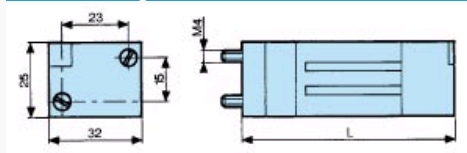
Type	Code
81506940 Adjustable frequency generator	81506940

Symbol

Delay (s)	-
Frequency (Hz)	0,02 →8
Operating pressure (bar)	2→8
Flow at 6 bars NI/min	170
Orifice diameter mm	2,7
Accuracy %	±5
Reset min. time S	<0,1
Connection - Sub-base	■
Operating temperature (°C)	-5 +50
Mechanical life (operations)	>10 ⁷
Weight (g)	85

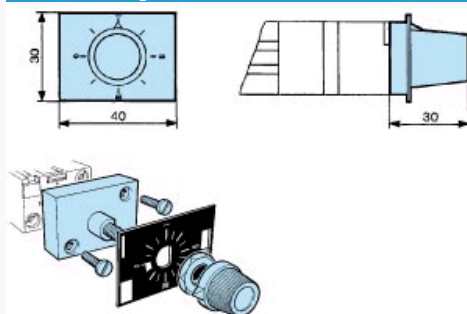
Panel mounting adaptor	Weight (g)
79451905	53

Dimension Diagram : 81 506 940

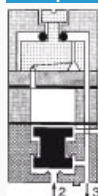


References	L (mm)
81 506 940	72 mm

Dimension Diagram : 79 451

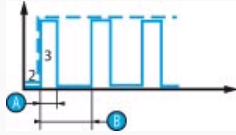


: Frequency generator



N°	Legend
2	Operating time
3	Period time

Curves : *** TRADUCTION MANQUANTE ***



N°	Legend
A	
B	

: *** TRADUCTION MANQUANTE ***

