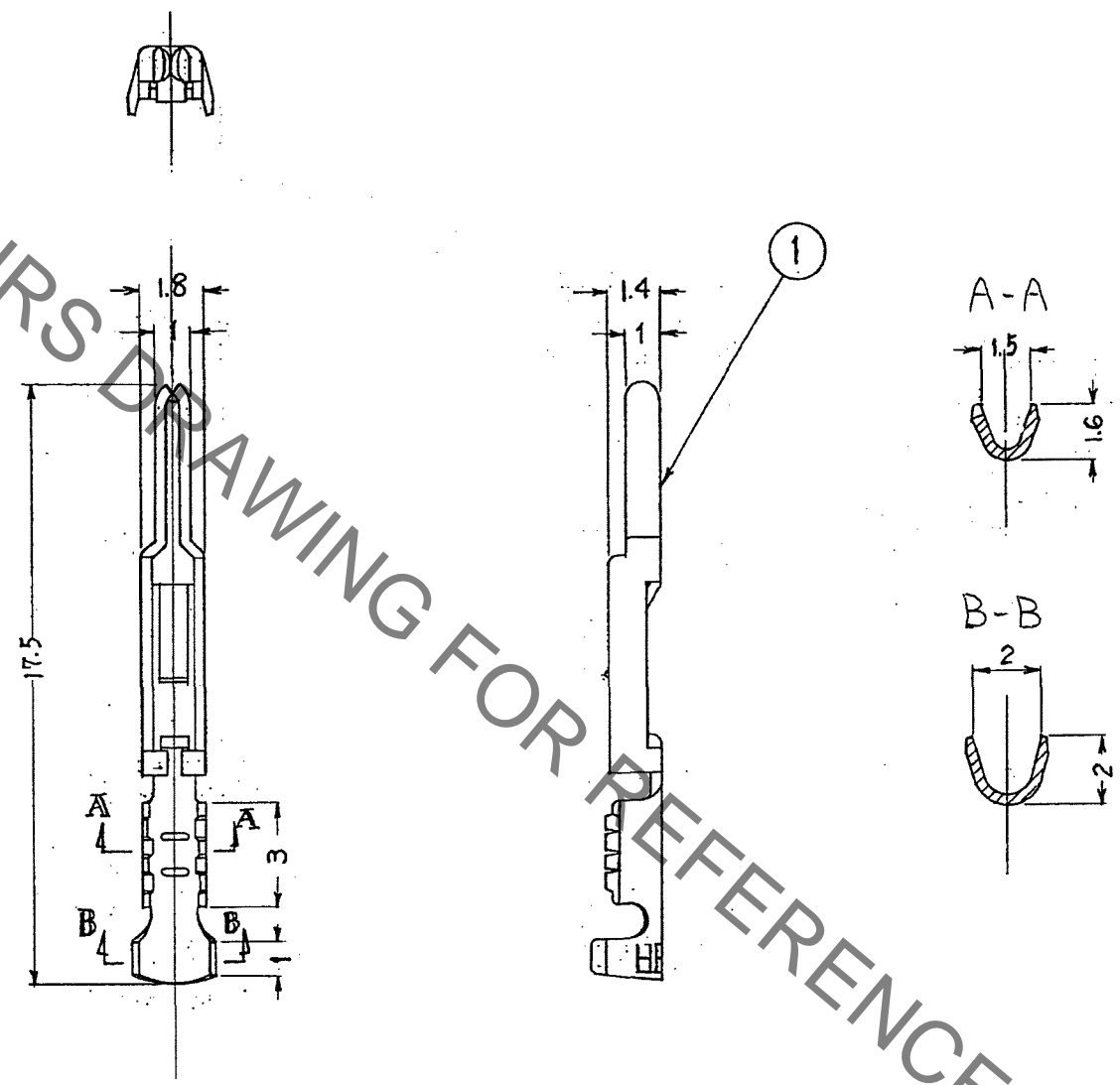


Mar.1.2020 Copyright 2020 HIROSE ELECTRIC CO., LTD. All Rights Reserved.  
 In case of consideration for using Automotive equipment / device which demand high reliability, kindly contact our sales window correspondents.

COUNT	DESCRIPTION OF REVISIONS	BY	CHKD	DATE	COUNT	DESCRIPTION OF REVISIONS	BY	CHKD	DATE
△				..	△				..
△				..	△				..
△				..	△				..

HRS DRAWING FOR REFERENCE



TO
Q

NO. 1		MATERIAL PHOSPHOR BRONZE		FINISH, REMARKS OVER: Au 0.2μm min UNDER: Ni 1μm min		
CODE NO. (OLD)		DRAWN	DESIGNED	CHECKED	APPROVED	RELEASED
		M. Itano '08.01.10	M. Itano '08.01.10	H. Tanaka '08.01.10	Y. Enami '08.01.10	..
DRAWING NO. EDC3-007247-01		PART NO. PC-1600-111				
SCALE 5 : 1		UNITS mm		CODE NO. CL216-0331-0		
HRS HIROSE ELECTRIC CO., LTD				1/1		