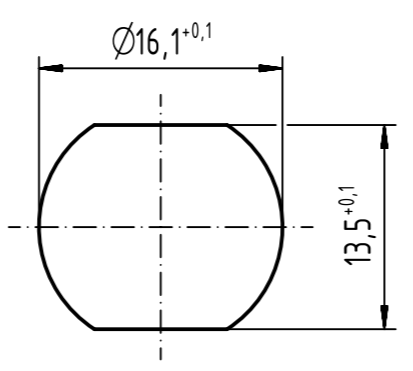


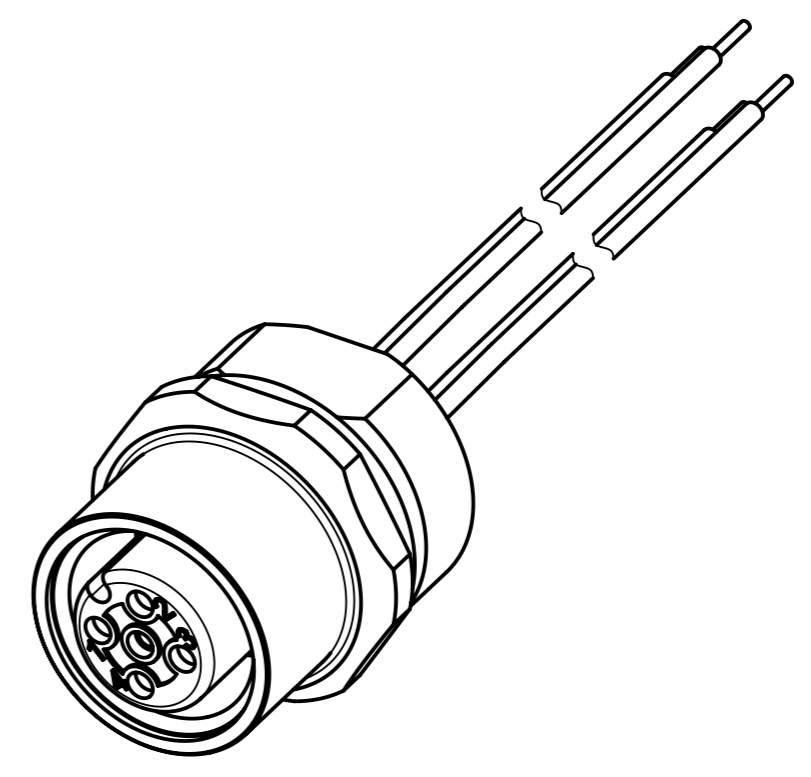
Loading-Plan:

- 1 brown
- 2 white
- 3 blue
- 4 black

Recommended panel cut-out



Minimum wall thickness 1.5mm



- Protection level: IP67
- Temperature range: -30°C ... +80°C

				All rights reserved Department EC PD - RO HARTING Electronics GmbH D-32339 Espelkamp		All Dimensions in mm Original Size DIN A3 Scale 2:1 Free size tol.		Created by TAMAS Inspected by DRAGHICI Title M12 A-coded Cable Assembly Type TB		Standardisation HOFFMANN Date 2016-02-02 State Final Release Number 210331764XX		Ref. Sub. Doc-Key / ECM-Nr. 100580483/UGD/009/C 500000100023 Rev. C Page 1/1	
2	21033176410	AWG 24, PVC		1									
1	21033176405			0.5									
Cont. No.	Part - no.	Type of cable		Dim. a[m]									