

THIS DRAWING IS UNPUBLISHED.

RELEASED FOR PUBLICATION

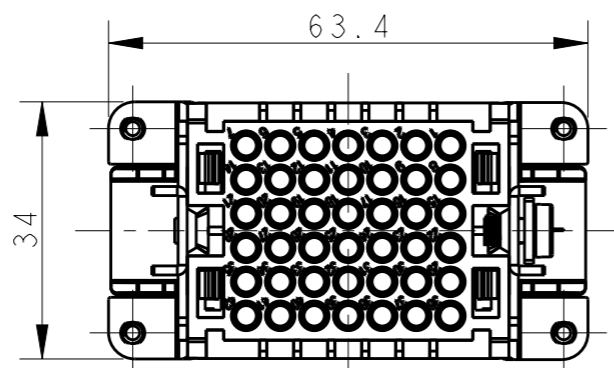
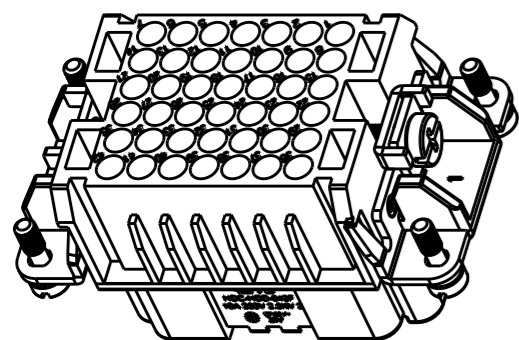
20

© COPYRIGHT 20 BY -

ALL RIGHTS RESERVED.

REVISIONS

P	LTR	DESCRIPTION	DATE	DWN	APVD
A		INITIAL RELEASE	19MAR2015	DL	CW
B		ECR-15-013292	24SEP2015	DL	CW
B1		ECR-16-018198	12FEB2017	QY	CW
B2		ECR-19-012652	21SEP2019	BS	CW

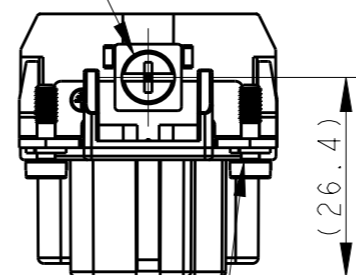
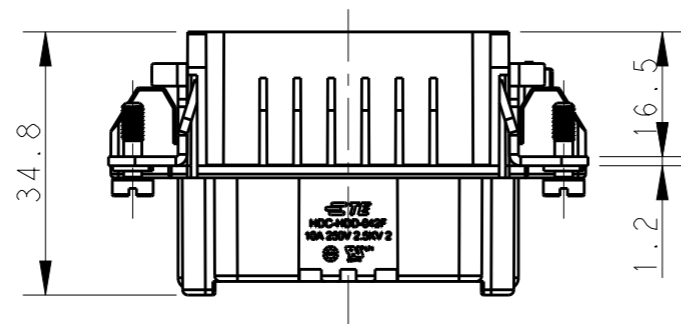
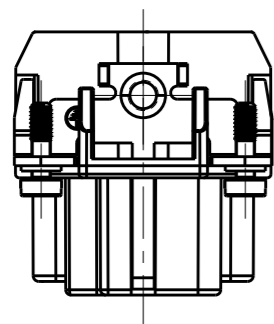


TYPE-1: T2030422201-000 TE LOGO
 类型-1: T2030422201-000 TE LOGO

M4 SCREW RECOMMENDED
 TIGHTENING TORQUE 1.2Nm
 M4螺丝, 推荐锁紧力矩1.2Nm

NOTES:

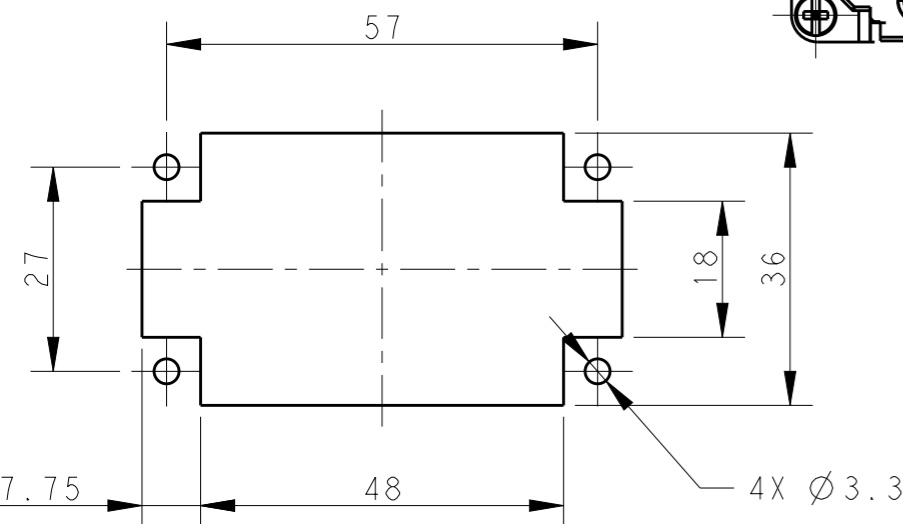
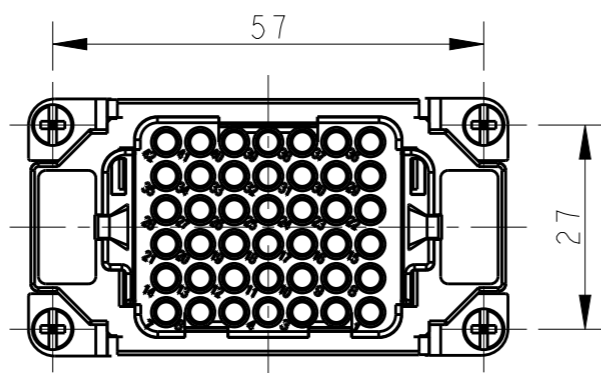
- TECHNICAL CHARACTERISTICS:
 INSULATION MATERIAL: PC
 RATED VOLTAGE: 250 V
 RATED CURRENT: 10 A
 INSULATION RESISTANCE: $\geq 400M\Omega$
 RATED IMPULSE VOLTAGE: 2.5 KV
 POLLUTION DEGREE: 2
 FLAMMABILITY: UL94V-0
 MATING CYCLES: 500 CYCLES
 WIRE RANGE: 0.14-2.5 mm² (26-14 AWG)
 CONTACT TYPE: CRIMP CONTACT
- CONTACT NEED TO BE ORDERED SEPARATELY.
 (ORDER No. REFER TO DRAWING: T20200X20XX000)




4 X M3 SCREW RECOMMENDED
 TIGHTENING TORQUE 0.5Nm
 4X M3螺丝, 推荐锁紧力矩0.5Nm

注释:

- 技术参数:
 绝缘材料: PC
 额定电压: 250V
 额定电流: 10A
 绝缘电阻: $\geq 400M\Omega$
 额定脉冲电压: 2.5 KV
 污染等级: 2
 阻燃等级: UL94V-0
 插拔次数: 500次
 接线范围: 0.14-2.5 mm² (26-14 AWG)
 接线类型: 冷压接
- 端子需要单独订购.
 (订货号参考图面: T20200X20XX000)



PANEL CUT OUT FOR INSERTS FOR USING
 WITHOUT HOODS/HOUSINGS
 不使用防护外壳时芯件的安装开孔图

THIS DRAWING IS A CONTROLLED DOCUMENT.		DWN DAVID LI 18MAR2015	 TE Connectivity	
DIMENSIONS: mm		CHK CHRIS WANG 18MAR2015		
TOLERANCES UNLESS OTHERWISE SPECIFIED:		APVD XU XIANG 18MAR2015	NAME HDD-042-F	
0 PLC ±-		PRODUCT SPEC 108-137043	RESTRICTED TO	
1 PLC ±-		APPLICATION SPEC 114-137043	SIZE A3	CAGE CODE -
2 PLC ±-		WEIGHT -	DRAWING NO. © T2030422201000	
3 PLC ±-		CUSTOMER DRAWING	SCALE 1:1	SHEET 1 OF 2
4 PLC ±-				REV B2
ANGLES ±-				
FINISH -				
MATERIAL -				

4

3

2

1

THIS DRAWING IS UNPUBLISHED.

RELEASED FOR PUBLICATION

20

© COPYRIGHT 20

BY -

ALL RIGHTS RESERVED.

REVISIONS

P	LTR	DESCRIPTION	DATE	DWN	APVD
-		SEE SHEET 1	-	-	-

NOTES:

SEE SHEET 1

注释:
见页 1

ALL DIMENSIONS ARE SAME AS TYPE 1,
EXCEPT THOSE DEFINED IN THIS TYPE.
除了在本类型中定义的尺寸外, 其它尺寸同类型 |

TYPE-2: T2030422201-001 STAINLESS STEEL SCREW, NO LOGO
类型-2: T2030422201-001 不锈钢螺丝, 无LOGO

T2030422201-001	HDD-042-F	HDD-042 FEMALE INSERT, CRIMPING SPLIT TYPE, STAINLESS STEEL SCREW, NO LOGO HDD-042冷压针分体式母插, 不锈钢螺丝, 无LOGO	TYPE-2 类型-2
T2030422201-000	HDD-042-F	HDD-042 FEMALE INSERT, CRIMPING SPLIT TYPE HDD-042冷压针分体式母插	TYPE-1 类型-1
PART NUMBER 料号		PART DESCRIPTION 描述	TYPE 类型

THIS DRAWING IS A CONTROLLED DOCUMENT.

DIMENSIONS:

mm

TOLERANCES UNLESS
OTHERWISE SPECIFIED:

0 PLC	±-
1 PLC	±-
2 PLC	±-
3 PLC	±-
4 PLC	±-
ANGLES	±-

MATERIAL

-

FINISH

-

DWN 18MAR2015

DAVID LI

CHK 18MAR2015

CHRIS WANG

APVD 18MAR2015

XU XIANG

PRODUCT SPEC

108-137043

APPLICATION SPEC

114-137043

WEIGHT

-

CUSTOMER DRAWING

NAME

HDD-042-F

SIZE

A3

CAGE CODE

-

DRAWING NO

© T2030422201000

RESTRICTED TO

TE Connectivity

SCALE 1:1

SHEET 2 OF 2

REV B2

1470-19 (3/13)