

30.0mm X 34.0mm Special Design Arrow LED Displays

Features:

- *High segment intensity
- *Wide viewing angle
- *Range of colors
- *Black face White segment
- *RoHS compliant

Available option:

- *Alternative face and segment color
- *Cropped terminal pins
- *Available emitting color
- *Low current version

Electro/Optical Characteristics If=20mA Ta=25°C

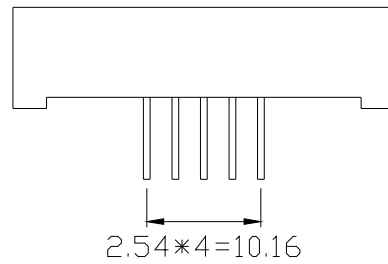
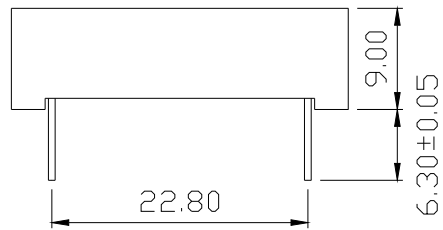
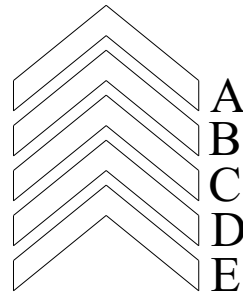
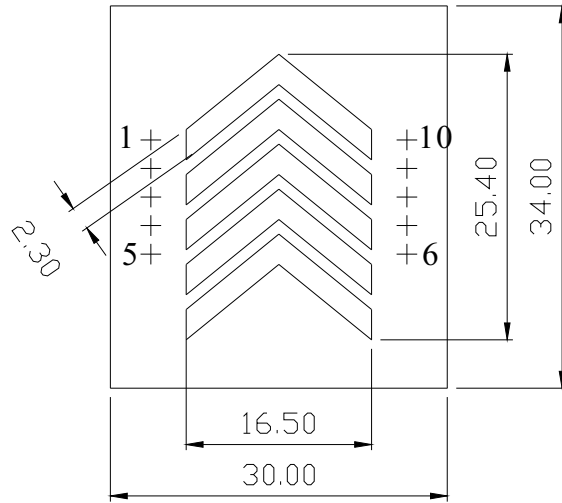
Part Number	Emitting Color	Peak Wavelength	Forward Voltage V _F /Seg.		Luminous Intensity I _v /Seg.	
			Typ.	Max.	Min.	Typ.
LN-A005R	GaP/GaP Red	700	6.75	7.50	1.20	2.40
LN-A005HR	GaAlAs/GaAs SH Hi-Red	660	5.40	6.60	24.00	36.00
LN-A005SR	GaAlAs/GaAs DH Super Red	660	5.40	6.60	66.00	84.00
LN-A005O	GaAsP/GaP Orange	632	6.30	7.50	24.00	36.00
LN-A005Y	GaAsP/GaP Yellow	585	6.30	7.50	12.00	21.00
LN-A005G	GaP/GaP Green	568	6.60	7.50	21.00	33.00
Units		nm	V		mcd	

Maximum Ratings Ta=25°C (Derate above 25°C)

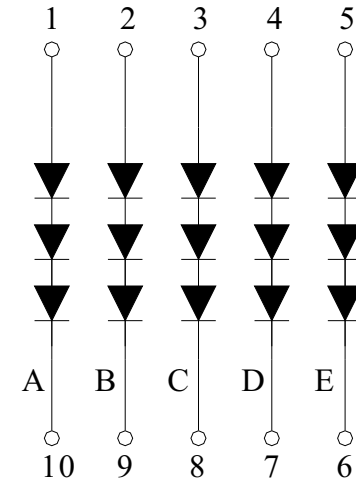
Characteristic	Test Condition	Symbol	S	HR	SR	O	Y	G	Units
Pulse Forward Current Per Seg.	1/10 duty cycle 0.1ms Pulse width	I _{FP}	50	100	100	100	100	100	mA
DC Forward Current Per Seg.		I _F	15	25	25	30	30	30	mA
Reverse Current Per Seg.	V _R =10V	I _R	10	10	10	10	10	10	μA
Power Dissipation		P _D	40*15	60*15	60*15	80*15	80*15	80*15	mW
Operating Temperature		T _{OPR}	-40 to +80						°C
Storage Temperature		T _{TSG}	-40 to +85						°C
Lead soldering temperature	1.60mm from body maximum 3 seconds		260						°C

30.0mm X 34.0mm Special Design Arrow Led Displays

PACKAGE DIMENSION



INTERNAL CIRCUIT DIAGRAM



Tolerance ±0.25mm unless stated