

**Evolution Power supply 3-phase, primary switched IN: 360-520VAC OUT: 22-28V/20ADC**

Output voltage: 22...28 V DC

Input voltage: 3 x 360...520 V AC/480...745 V DC

Current: 20 A

**Image**

- stable output voltage, short-circuit and overload protected
- Wide voltage input
- touch protected (EN 60529) IP20

**Approvals****Input**

Input voltage	3 x 360...520 V AC/480...745 V DC
Input current	3 x 1.3 A
Inrush current after 1 ms	<= 19 A
Primary fusing	3 x 10 A
Frequency	50/60 Hz

**Output**

Output voltage	24 V DC (SELV), $\pm 1\%$ ; 22...28 V adjustable
Nominal output current	20 A (+55 °C); 15.8 A (+70 °C)
Efficiency	90 %
Mains failure bridging	>= 19 ms (400 V AC)
Ripple	<= 50 mV eff
Spikes	<= 100 mV ss
Protection	Short-circuit and overload protected
LED display	LED (green): OK; LED (red): overload
Parallel usage/serial usage	yes/yes

**General data**

Standards	(EN 60950-1), (EN 61204-3), (EN 55011 A)
Temperature range	-25...+70 °C (storage temperature -40...+85 °C)
Relative humidity	5...95 %, no condensation
Mounting method	DIN-rail mountable TH35 (EN 60715)
Dimensions H x W x D	132 x 113 x 136 mm

**Commercial data**

Gross weight	2000
Net weight	2000
Weight unit	gram
Basic unit	pc.
Customs tariff number	85044081
Unit (piece)	1
Limited value	1

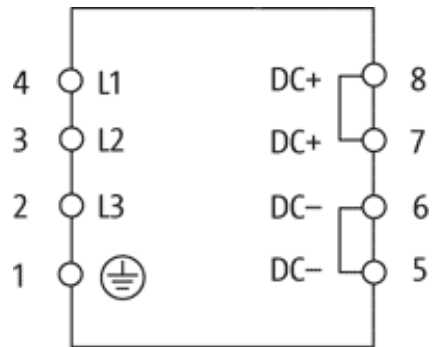
**Comments**

MCS switch mode power supplies meet the (EN 61000-3-2) standard for harmonic current.

All data on this data sheet was compiled carefully.

Liability regarding correctness, completeness, and actuality is limited to gross negligence. Created: 08/10

## Circuit diagram



## Dimension drawing

