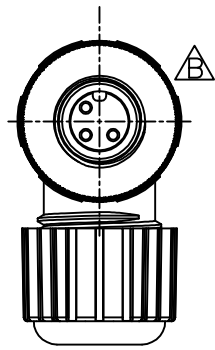
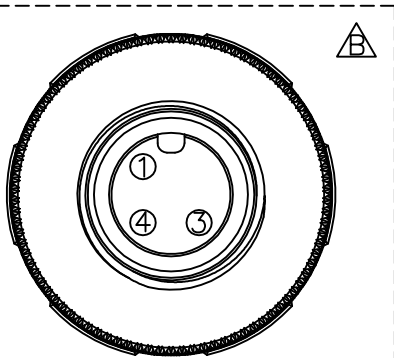
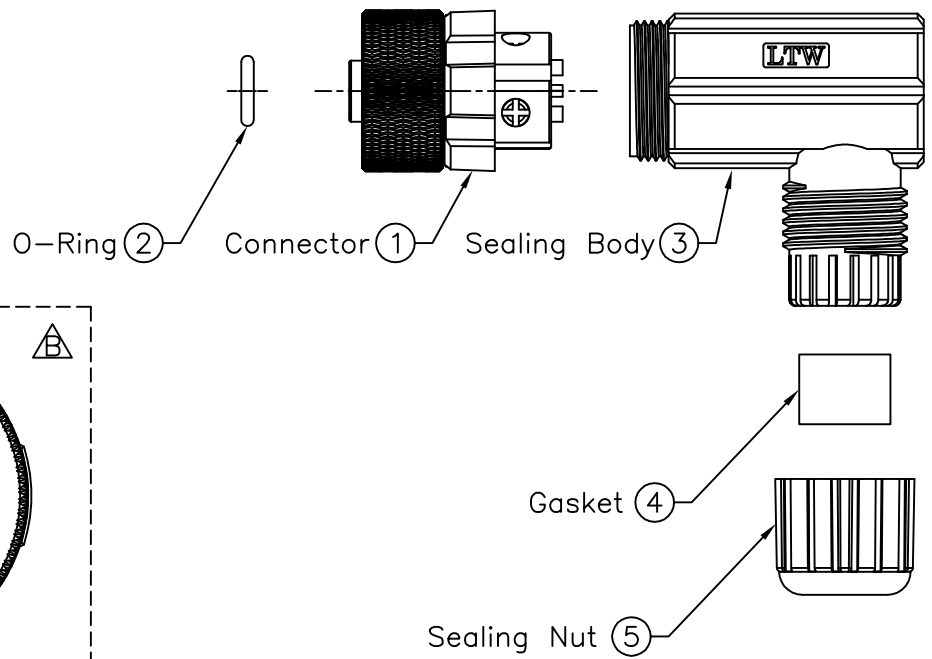
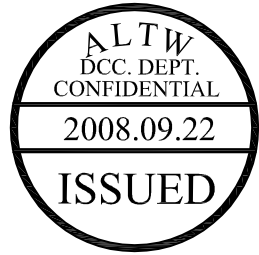
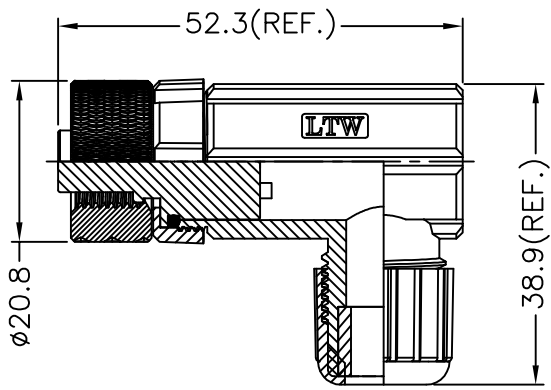


5	6	7	8
REV. B	ECN NO. LE3-890067	DATE 2008/08/12	SIGN Gao Ling
			DESCRIPTION Change Connector Material

THIS DOCUMENT IS SUBJECT TO CHANGE WITHOUT NOTICE. IT IS CONFIDENTIAL AND A PROPERTY OF Amphenol LTW. DISCLOSURE TO THIRD PARTY HAS TO BE AUTHORIZED BY Amphenol LTW.



Conn.



Pin Assignments Front View

Note:

- * Waterproof Rate : IP67
- △ * Connector:Black,PPO V0150B
- * Pin:Copper Alloy,Gold Plated
- * O-Ring 1:Green,Viton.
- * O-Ring 2:Black,EPDM.
- * Holder:Black,Nylon+GF
- * Clamp Ring:Black,Nylon 66.
- * Gasket:Black,EPDM.
- * Sealing Nut:Black,Nylon 66.
- * Nut:Copper Alloy,Nickel Plated
- * Seals For Cable OD $\phi 4.5\text{mm} \sim \phi 6.0\text{mm}$
- * Temperature Range: $-40^{\circ}\text{C} \sim +85^{\circ}\text{C}$.

UNIT:mm		TITLE M12 Screw In Female Conn 3Pin A Code		<h1>Amphenol LTW</h1> <p>安費諾亮泰企業股份有限公司</p>	ITEM NO 12-03BFFB-SR7001	DRAWN BY Gao Ling	DATE 2008/08/12
		TOLERANCE .X ±0.25 .XX ±0.1 .XXX ±0.05 ANGLES ±1'	SCALE Free		SHEET 1 OF 1	DWG NO 12-03BFFB-SR7001	CHECKED BY Ling
1	2	3	4	5	CUSTOMER ALTW	APPROVED BY Win	DATE 2008/08/20