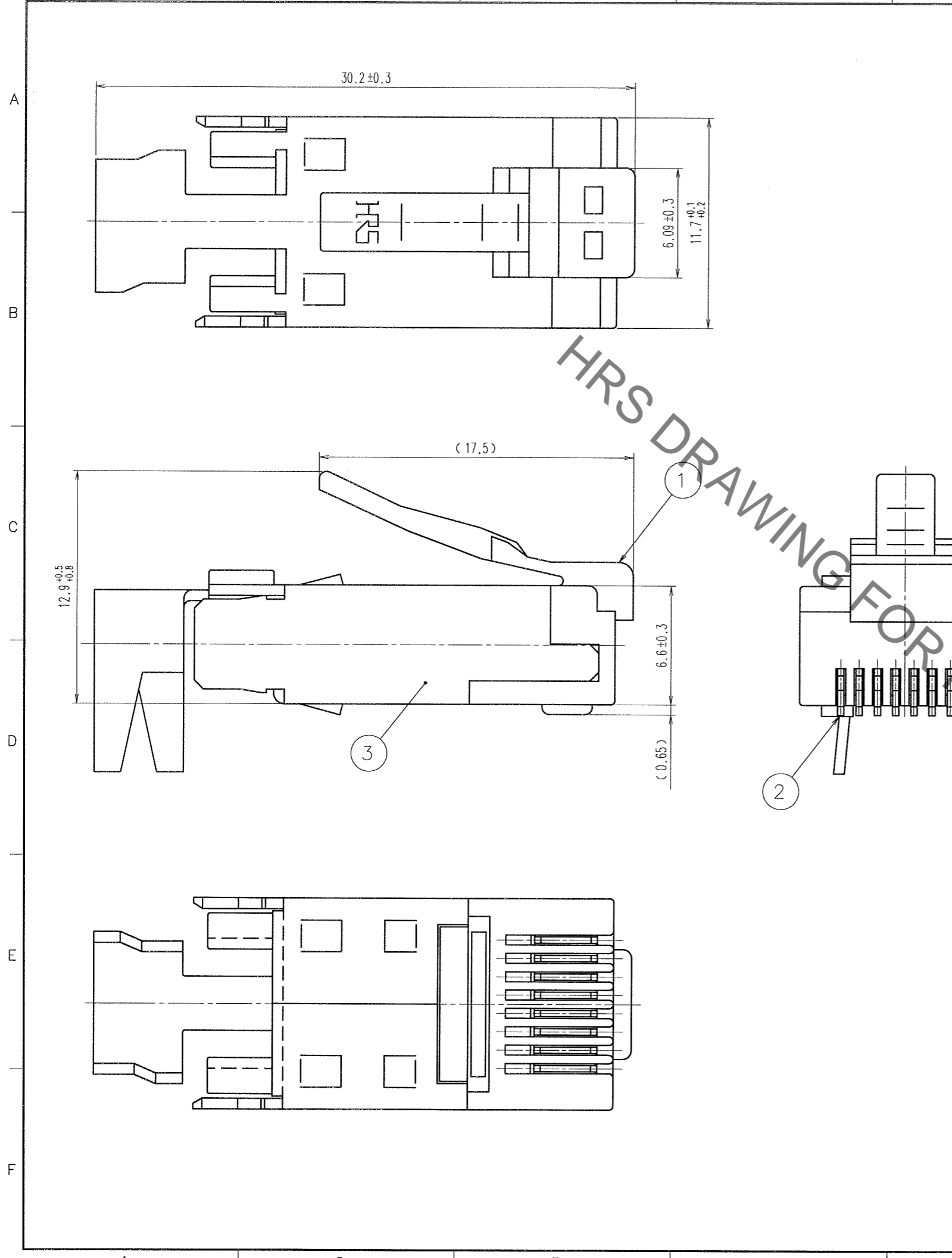
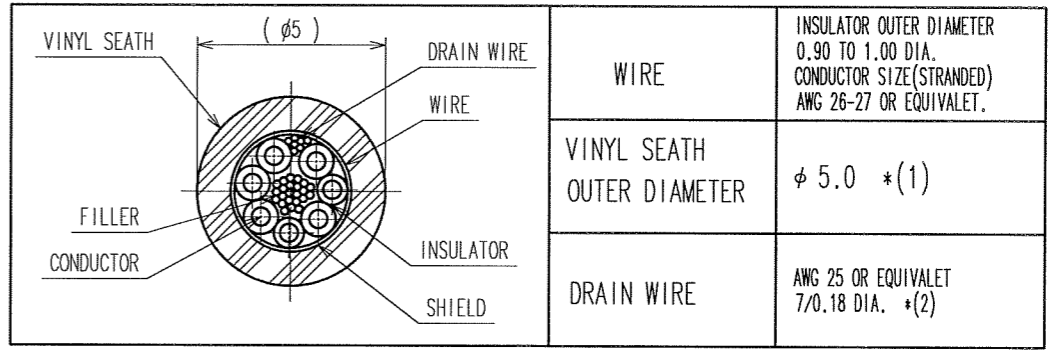


Jul.1.2020 Copyright 2020 HIROSE ELECTRIC CO., LTD. All Rights Reserved.
In case of consideration for using Automotive equipment / device which demand high reliability, kindly contact our sales window correspondents.

COUNT	DESCRIPTION OF REVISIONS	BY	CHKD	DATE	COUNT	DESCRIPTION OF REVISIONS	BY	CHKD	DATE

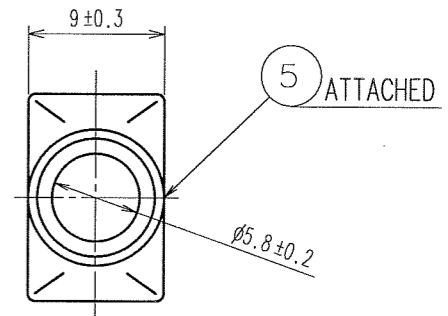
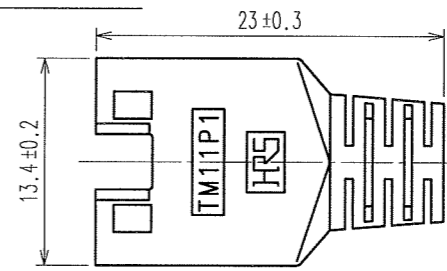


NOTES. 1. APPLICABLE CABLE.

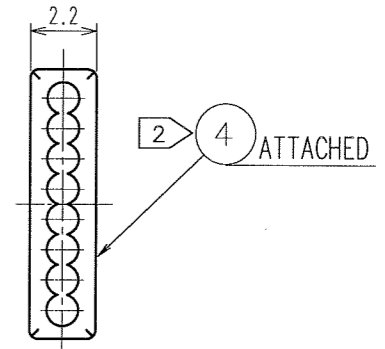
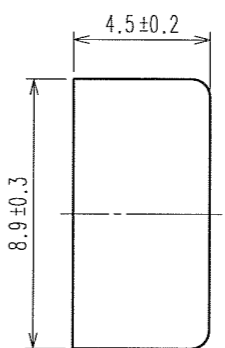


- *(1) CABLE ENTRY IS 5.6 MIN.
- *(2) CONSTRUCTION IS FOR REFERENCE.

HOOD (2 : 1)



ADAPTER



- 2 ADAPTER SHALL BE USED TO ALIGN INDIVIDUAL WIRE.
- 3. THE DIMENSION IN PARENTHESIS IS FOR REFERENCE.

NO.	MATERIAL	FINISH, REMARKS	NO.	MATERIAL	FINISH, REMARKS
2	PHOSPHOR BRONZE	GOLD PLATING 1.27μ m	5	POLYCARBONATE	BLACK
1	POLYCARBONATE	TRANSPARENCY	4	POLYCARBONATE	TRANSPARENCY
			3	BRASS	TIN REFLOW PLATING

CODE NO. (OLD)	DRAWN	DESIGNED	CHECKED	APPROVED	RELEASED
	<i>G. Sato</i> 05.10.12	<i>T. Sonoguchi</i> 05.10.12	<i>Y. Enami</i> 05.10.12	<i>H. Mura</i> 05.10.13	

SCALE	DRAWING NO.	PART NO.
4 : 1	EDC3-120681-01	TM11AP1-88P(03)
UNITS	HIROSE ELECTRIC CO., LTD	CODE NO.
mm		CL222-2782-1-03

TO
Q1