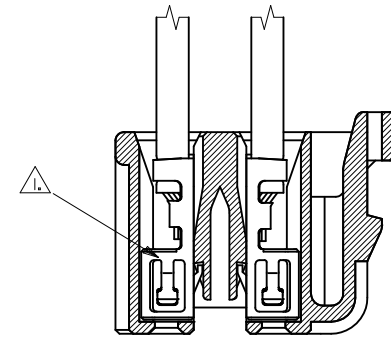


NOTES.

1. 適合ターミナル : 501193-****
APPLICABLE TERMINAL : 501193-****
2. 嵌合相手 : 501190-**** , 501571-****
MATE WITH : 501190-**** , 501571-****
3. 極数 / 2 = 偶数に適用。
APPLY FOR CIRCUIT SIZE / 2 = EVEN
4. 材料
MATERIAL
66ナイロン、ガラス無充填、UL94V-0
PA66 , GLASS FILLED 0% , UL94V-0
5. ELV 及び RoHS 適合品
ELV AND RoHS COMPLIANT.



ターミナル装着図
TERMINAL ASSEMBLY DRAWING

24	25.3	26.7	501189-501*	50
19	20.3	21.7	501189-401*	40
14	15.3	16.7	501189-301*	30
9	10.3	11.7	501189-201*	20
C	B	A	ポリ袋 POLYBAG PACKAGE オーダー番号 ORDER NO.	CKT.

REVISED EC NO. : J2011-0742 DRWN:KAWASHIO 2010/11/29 CHKD:KASAKAWA 2010/12/02 APPR:NUKITA 2010/12/02	DESCRIPTION REV	GENERAL TOLERANCES (UNLESS SPECIFIED)		DIMENSION STYLE MM ONLY		SCALE 5:1	DESIGN UNITS METRIC	THIRD ANGLE PROJECTION	
		10 UNDER	±0.2	DRAWN BY NYOSHIDA	DATE 2004/12/17	TITLE 1.0 WIRE TO BOARD CONN. 2-ROW RECEPTACLE HOUSING			
		10 OVER 30 UNDER	±0.25	CHECKED BY MYAGI	DATE 2004/12/17	MOLEX INCORPORATED			
		30 OVER	±0.3	APPROVED BY ANODA	DATE 2004/12/17	DOCUMENT NO. SD-501189-002			
ANGULAR ±3 °		DRAFT WHERE APPLICABLE MUST REMAIN WITHIN DIMENSIONS		MATERIAL NO. SEE SHEET 2		SHEET NO. 1 OF 2		THIS DRAWING CONTAINS INFORMATION THAT IS PROPRIETARY TO MOLEX INCORPORATED AND SHOULD NOT BE USED WITHOUT WRITTEN PERMISSION	

10 9 8 7 6 5 4 3 2 1

F

F

E

E

D

D

C

C

B

B

A

A

緑 GREEN	青 BLUE	赤 RED	黒 BLACK	白 WHITE	色 COLOR
//	//	//	//	501189-5010	50
//	//	//	//	501189-4010	40
//	//	//	//	501189-3010	30
501189-2016	501189-2014	501189-2012	501189-2011	501189-2010	20
ポリ袋 POLYBAG PACKAGE					CKT.
----- オーダー番号 ORDER NO.					

SEE SHEET 1 EC NO.: J2011-0742 DRWN: KWASHIO 2010/12/01 CHKD: KASAKAWA 2010/12/02 APPR: NUKITA 2010/12/02	GENERAL TOLERANCES (UNLESS SPECIFIED)		DIMENSION STYLE MM ONLY	SCALE 5:1	DESIGN UNITS METRIC	THIRD ANGLE PROJECTION
	10 UNDER	±0.2	DRAWN BY NYOSHIDA	DATE 2004/12/17	TITLE 1.0 WIRE TO BOARD CONN. 2-ROW RECEPTACLE HOUSING	
	10 OVER 30 UNDER	±0.25	CHECKED BY MYAGI	DATE 2004/12/17		
	30 OVER	±0.3	APPROVED BY ANODA	DATE 2004/12/17	MOLEX INCORPORATED	
	ANGULAR ±3 °		MATERIAL NO.	DOCUMENT NO.		
DRAFT WHERE APPLICABLE MUST REMAIN WITHIN DIMENSIONS		SIZE A3	THIS DRAWING CONTAINS INFORMATION THAT IS PROPRIETARY TO MOLEX INCORPORATED AND SHOULD NOT BE USED WITHOUT WRITTEN PERMISSION			