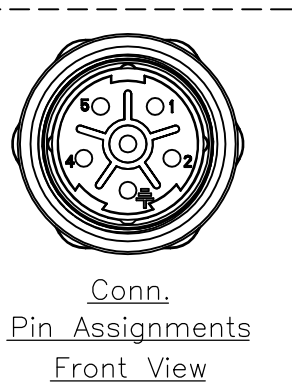
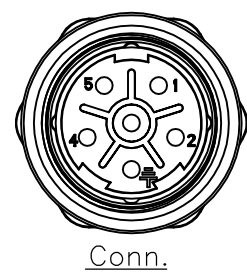
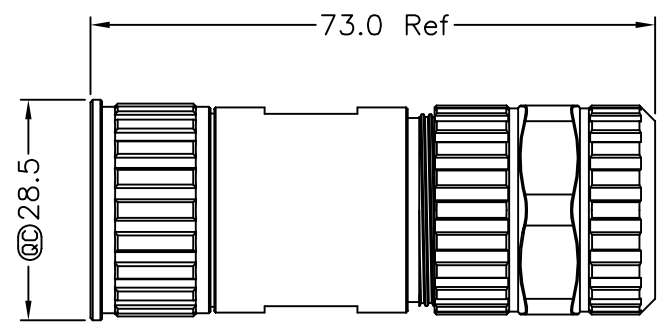
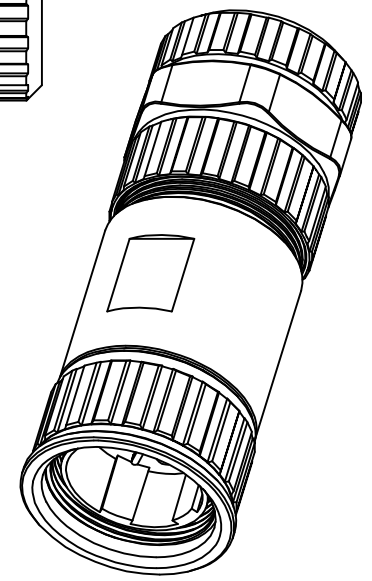
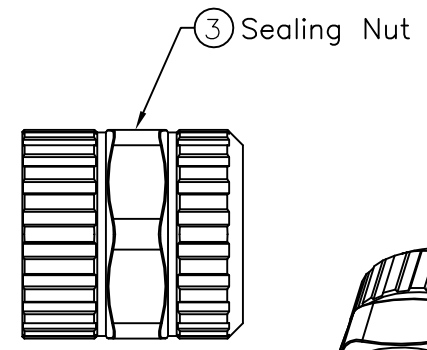
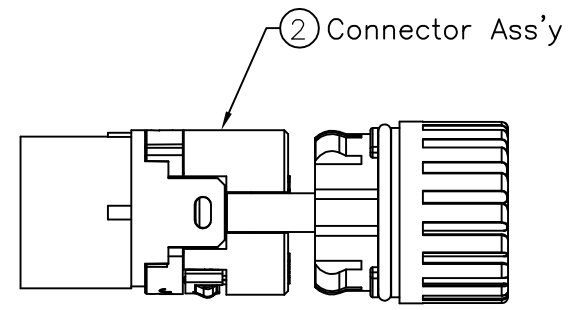
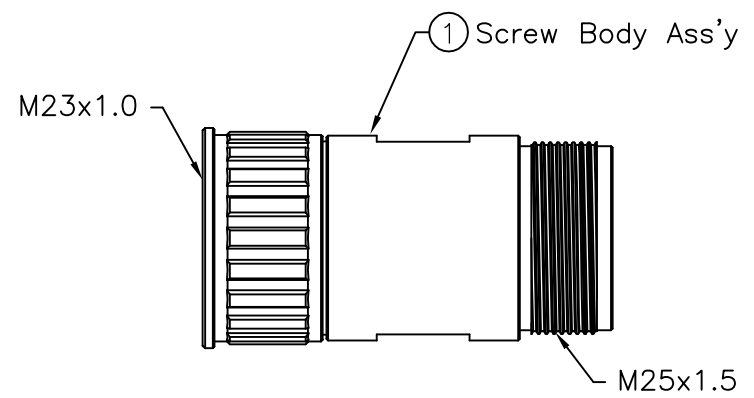


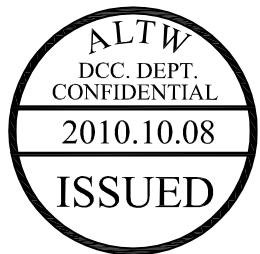
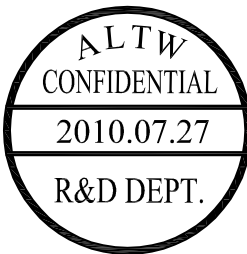
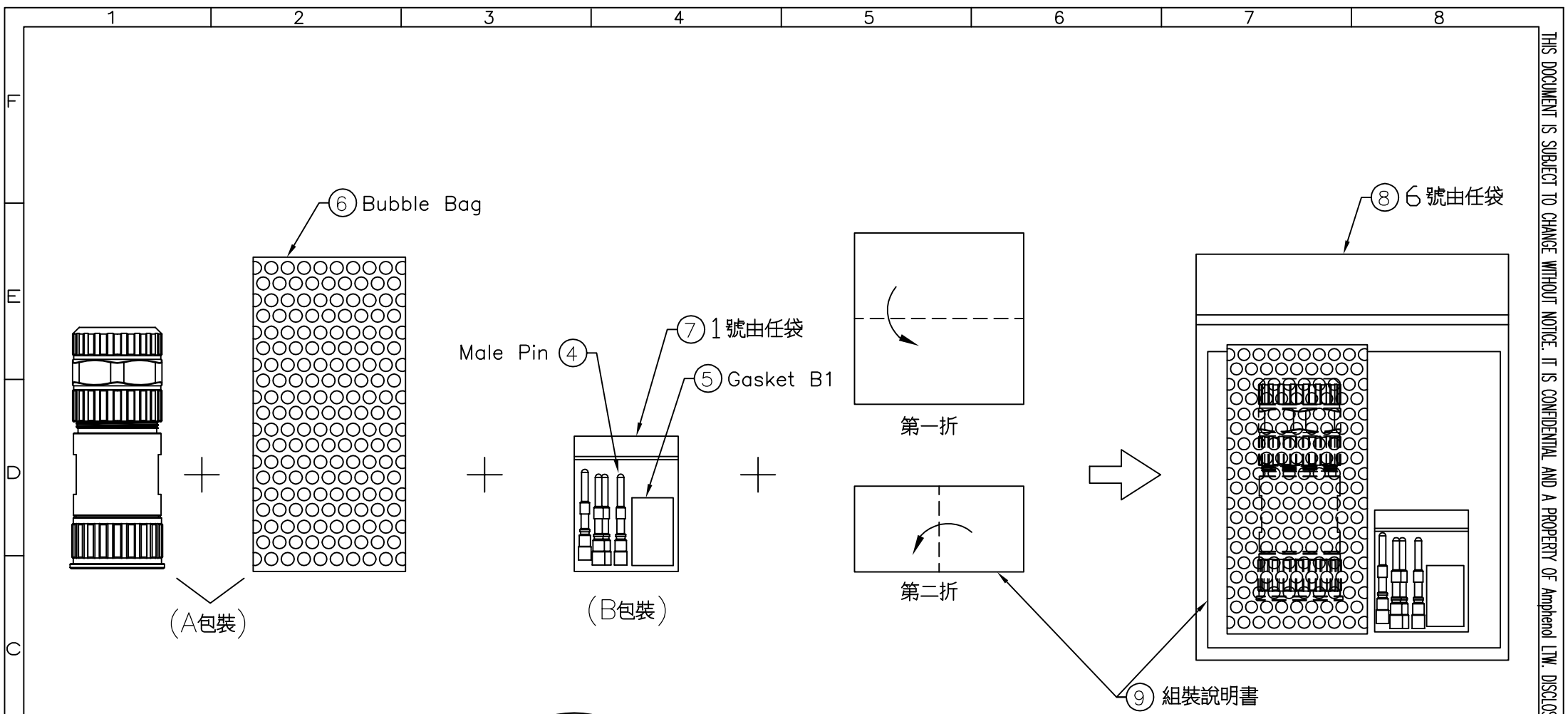
REV. A	ECN NO.	DATE	SIGN	DESCRIPTION
		Initial Release 2010/07/27	Doreen	Change REV.01 to REV.A

THIS DOCUMENT IS SUBJECT TO CHANGE WITHOUT NOTICE. IT IS CONFIDENTIAL AND A PROPERTY OF Amphenol LTW. DISCLOSURE TO THIRD PARTY HAS TO BE AUTHORIZED BY Amphenol LTW.



- Note:
- \* @@ Important Dimension.
  - \* Waterproof Rate: P67.
  - \* Connector: Nylon, Black.
  - \* Male Pin: Copper Alloy, Gold Plated.
  - \* Screw Nut: Copper Alloy, Nickel Plated.
  - \* Gasket: Silicone, UL94V-0, Gray.
  - \* Recommended Gauge: 14 Awg, 12 Awg.
  - \* Cable OD: B1: Ø8.5~Ø12mm ; B2: Ø12~Ø17.5mm

UNIT:mm		TITLE	M23 CABLE ASS'Y Type, F CON, M PIN		<b>Amphenol LTW</b> 安費諾亮泰企業股份有限公司	ITEM NO	LJ23-06DFMC-SL7001	DRAWN BY	Doreen	DATE	2010/07/29
TOLERANCE	.X ±0.25 .XX ±0.1 .XXX ±0.05 ANGLES ±1'	SCALE	Free	SHEET		1 OF 2	DWG NO	LJ23-06DFMC-SL7001	CHECKED BY	Winnie	DATE
REV.	A	SIZE	A4	@ :Inspection Item		CUSTOMER	ALTW	APPROVED BY	Kevin	DATE	2010/08/06



**包裝方式**

A包裝: 將 ① ② ③ 組裝完成後裝入 ⑥ 氣泡袋中

B包裝: 將 ④ ⑤ 裝入 ⑦ 1 號由任袋中

最後將 A 包裝與 B 包裝及 ⑨ 組裝說明書一同裝入 ⑧ 6 號由任袋中, 即放入紙箱

UNIT:mm	
TOLERANCE	
.X	±0.25
.XX	±0.1
.XXX	±0.05
ANGLES	±1'

TITLE		M23 CABLE ASS'Y Type, F CON, M PIN	
SCALE	Free	SHEET	2 OF 2
REV.	A	SIZE	A4
© :Inspection Item			

**Amphenol LTW**  
安費諾亮泰企業股份有限公司

ITEM NO	LJ23-06DFMC-SL7001
DWG NO	LJ23-06DFMC-SL7001
CUSTOMER	ALTW

DRAWN BY	Doreen
CHECKED BY	Winnie
APPROVED BY	Kevin

DATE	2010/07/29
DATE	2010/07/29
DATE	2010/08/06