

M12 MALE 90° B CODED SHIELDED WIREABLE SCREW TERM.2 POLE max. 0.75mm² 6-8mm PROFIBUS

PROFIBUS

Sealing range (cable Ø): 6...8 mm

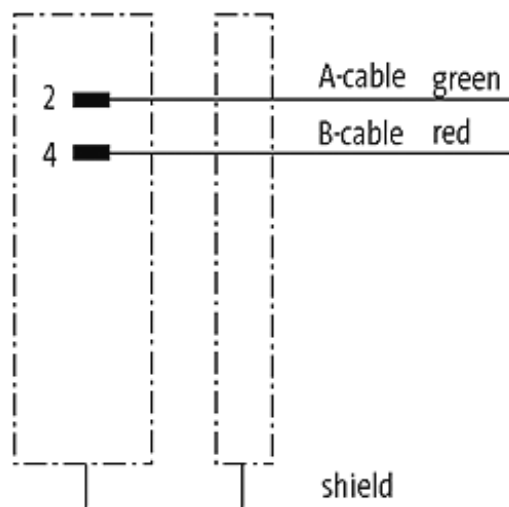
Screw terminals

Male 90°

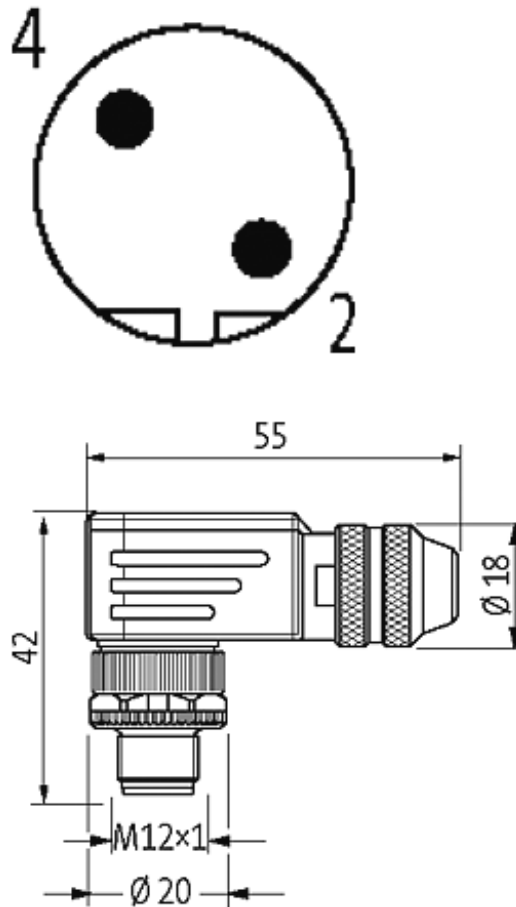
M12, 2-pole

B-coded

shielded

[Link to Product](#)**Illustration**

Male



Product may differ from Image

Form

Form 14015

Technical Data

Operating voltage	max. 60 V AC/DC
Operating current per contact	max. 4 A
Connection cross section	max. 0.75 mm ²
Sealing range (cable Ø)	6...8 mm
Protection	IP67 inserted and tightened (EN 60529)
Housing	Brass, nickel plated

General data

Temperature range -25...+85 °C

Commercial data

country of origin	DE
customs tariff number	85369010
EAN	4048879419154

eClass	27279218
minimum order quantity	1