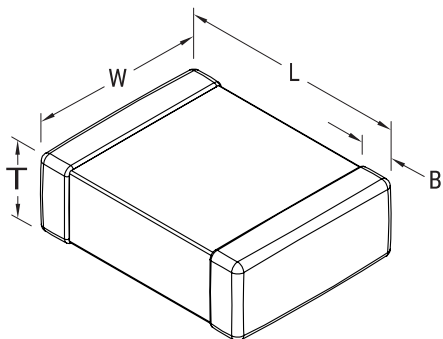


KEMET Part Number: LDECE4150KA0N00
(DECE4150KA0N00)

Capacitor, Film, Metallized PEN (Stacked), 1.5 uF, +/-10% Tol, General Purpose, 50 VDC@125C



| Dimensions (mm) | | |
|-----------------|-----------|-----------|
| Symbol | Dimension | Tolerance |
| L | 7.3 | +/-0.4 |
| W | 6.1 | +/-0.4 |
| T | 4.3 | MAX |
| B | 0.5 | +0.5/-0.3 |

| Packaging Specifications | |
|--------------------------|----------|
| Package Kind: | T&R |
| Package Size: | Standard |
| Package Quantity: | 1750 |

| General Information | |
|---------------------|--------------------------|
| Supplier: | KEMET |
| Dielectric: | Metallized PEN (Stacked) |
| Application: | General Purpose |
| Sub Application: | AEC-Q200 |
| Style: | Surface Mount |
| Chip Size: | 2824 |
| RoHS: | Yes |

| Specifications | |
|-----------------------------|------------|
| Capacitance: | 1.5 uF |
| Voltage: | 50 VDC |
| Tolerance: | +/-10% |
| Voltage AC: | 40 VAC |
| Rated Temperature: | 125C |
| Temperature Range: | -55/+125C |
| Dissipation Factor @ 1 kHz: | 0.8% |
| Insulation Resistance: | 266.7 MOhm |
| Maximum dVdT: | 100 v/us |