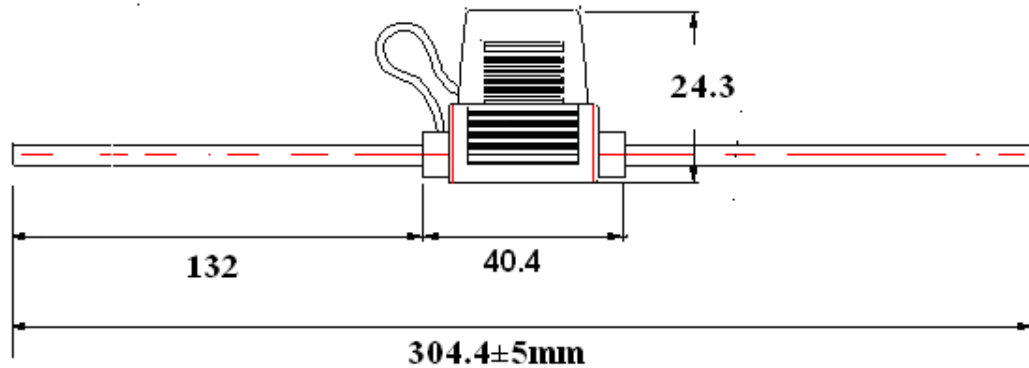


**Water Resistant Type
For MIN-N (ATM,MINI) Fuses**



NO.	WIRE SPEC.	LENGTH	COLOR	TOLERANCE	Q'TY
1	UL1015 12AWG	304.4 mm	Orange	± 5mm	1
2	201-101				1

Specifications:

- (a) **Item No.: 201-101**
- (b) **Rated Current: 30Amp 32V DC Maximum**
- (c) **Insulation Resistance At 500V DC:100MΩ Min.**
- (d) **Contact Resistance:5mΩ AT 1A DC**
- (e) **Dielectric Strength for 60 AC 1000 V Min.**
- (f) **Body Material: TPR/Color: Black**
- (g) **Cable Wire: UL1015 12AWG Color: Orange**
Total length: 12" Cut
- (h) **Terminal Material: Brass (Tin Plated)**
- (i) **Body not include Fuse.**
- (j) **Operating Temperature: -20°C to +80°C**
- (k) **Product meet RoHS Standard**
- (l) **Product not UL Listed**
- (m) **Product produced at Taiwan**

CHE YEN INDUSTRIAL CO., LTD.

ISS	REVISION	DATE	DATE	4-15-2013	UNIT	DRAWN	TITLE:	ITEM NO.
			INFORMATION SHEET		mm	JAMES LIN	Mini Fuse Holder, Water Resistant	201-101