

ProLight PDSJ-40FQL-D2030
40W Dual Color COB
Light-Engine LEDs
Technical Datasheet
Version: 1.0

ProLight Opto ® ProEngine Series

Features

- High flux density of lighting source
- Good color uniformity
- RoHS compliant
- More energy efficient than incandescent and most halogen lamps
- No UV
- Long lifetime
- 5 year warranty

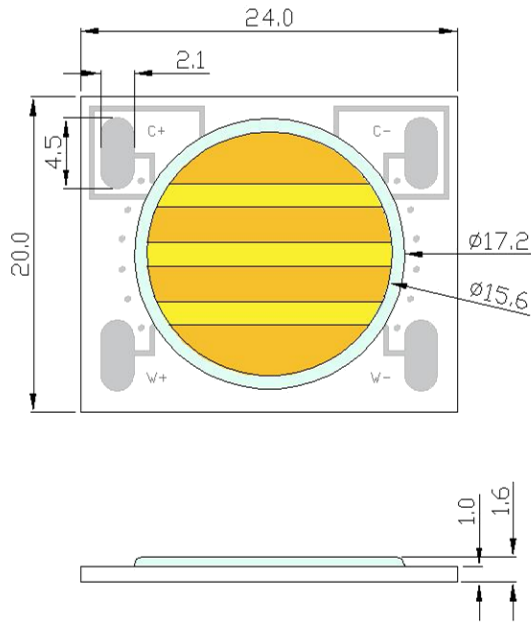
Main Applications

- Spot lighting
- Down lighting

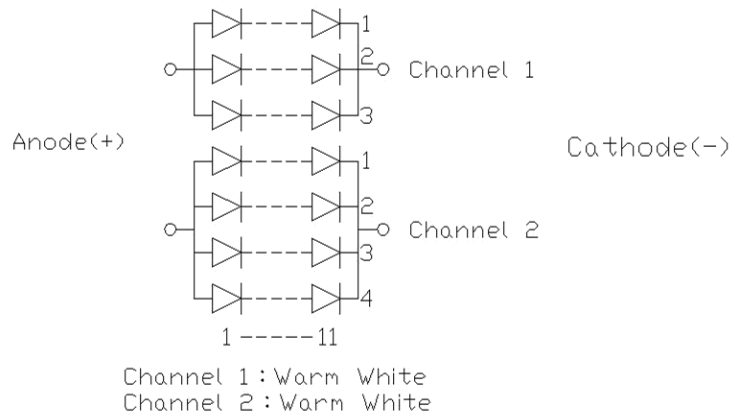
Introduction

- The 40W multi-chip power ProEngine Series is designed with 2 channels, providing color temperature changes from 2000K to 3000K remaining similar flux.
- The superficial illuminating nature makes it the preference in applications including downlighting, spot lighting and accent lighting at restaurant, hotel, studio, historical spot and home.

Mechanical Dimensions



Circuit Diagram



Notes:

1. Solder pads are labeled "+" and "-" to denote positive and negative, respectively.
2. Drawing not to scale.
3. All dimensions are in millimeters.
4. Unless otherwise indicated, tolerances are ± 0.30 mm.
5. **Please do not use a force of over 0.3kgf impact or pressure on the lens of the LED, otherwise it will cause a catastrophic failure.**

*The appearance and specifications of the product may be modified for improvement without notice.

Flux Characteristics, $T_c = 25^\circ\text{C}$

Color	Part Number COB	DC Forward Current (mA)	Luminous Flux Φ_v (lm)		CRI Min.
			Min.	Typ.	
Channel 1	PDSJ-40FQL-D2030	180	570	620	90
Channel 2		940	3200	3400	

- ProLight maintains a tolerance of $\pm 7\%$ on flux and power measurements.
- ProLight maintains a tolerance of ± 2 on CRI measurements.
- Please do not drive at rated current more than 1 second without proper heat sink.

Electrical Characteristics, $T_c = 25^\circ\text{C}$

Color	DC Forward Current (mA)	Forward Voltage V_F (V)			Thermal Resistance Junction to Board ($^\circ\text{C}/\text{W}$)
		Min.	Typ.	Max.	
Channel 1	180	32.0	34.0	36.0	0.8
Channel 2	940	36.0	38.0	40.0	

- ProLight maintains a tolerance of $\pm 1\text{V}$ for Voltage measurements.

Optical Characteristics, $T_c = 25^\circ\text{C}$

Color	Bin Code	Color Temperature CCT			Total included Angle (degrees) $\theta_{0.90v}$	Viewing Angle (degrees) $2\theta_{1/2}$
		Min.	Typ.	Max.		
Channel 1	K0	1950 K	2000 K	2070 K	160	120
Channel 2	N0	2910 K	3000 K	3070 K	160	120

- ProLight maintains a tolerance of $\pm 5\%$ for CCT measurements.

Electro-Optical Characteristics, $T_c = 25^\circ\text{C}$

I_F (mA)	V_F (V)	Power (W)	Channel 1	
			Flux (lm)	lm/W
100	33.06	3.31	352.9	106.7
180	34.00	6.12	620.0	101.3
200	34.20	6.84	684.3	100.0
500	36.85	18.42	1545.6	83.9
700	38.25	26.77	2023.1	75.6

I_F (mA)	V_F (V)	Power (W)	Channel 2	
			Flux (lm)	lm/W
200	33.43	6.69	872.4	130.5
500	35.61	17.81	2032.6	114.1
700	36.88	25.81	2715.7	105.2
900	37.89	34.10	3316.8	97.3
940	38.00	35.72	3400.0	95.2

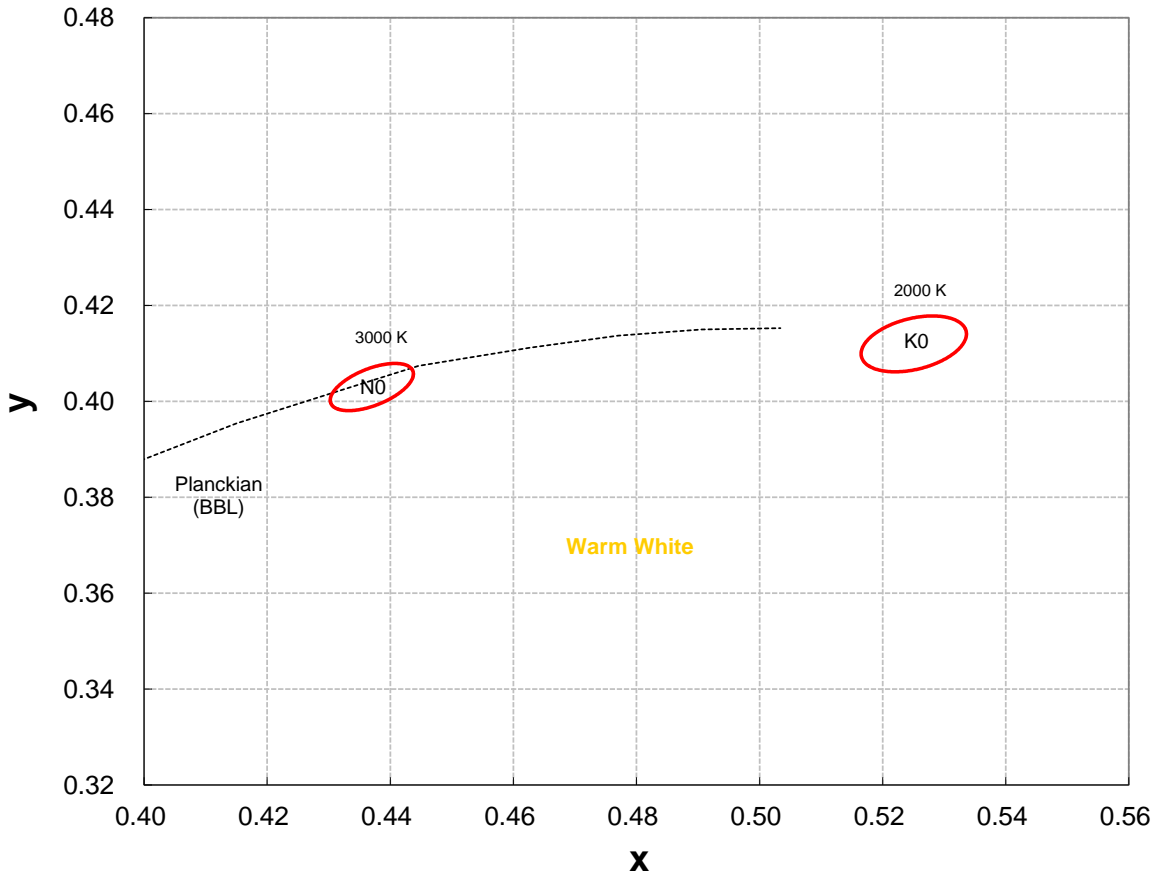
- All values are reference only.

Absolute Maximum Ratings

Parameter	Channel 1	Channel 2
Max DC Forward Current (mA)	700	940
Peak Pulsed Forward Current (mA)	1200 (less than 1/10 duty cycle@1KHz)	
ESD Sensitivity (HBM per MIL-STD-883E Method 3015.7)	±2000V	
LED Junction Temperature	120°C	
Operating Board Temperature at Maximum DC Forward Current	-40°C - 90°C	
Storage Temperature	-40°C - 120°C	
Reverse Voltage	Not designed to be driven in reverse bias	

Color Bin

Channel 1 and Channel 2 Binning Structure Graphical Representation



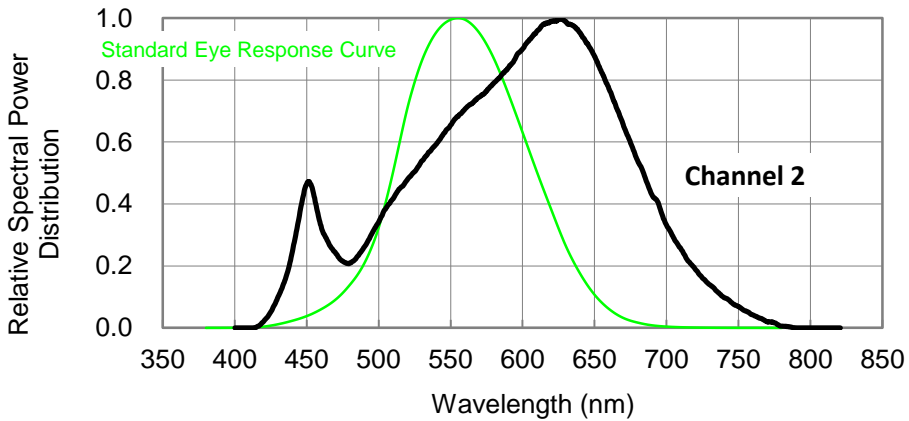
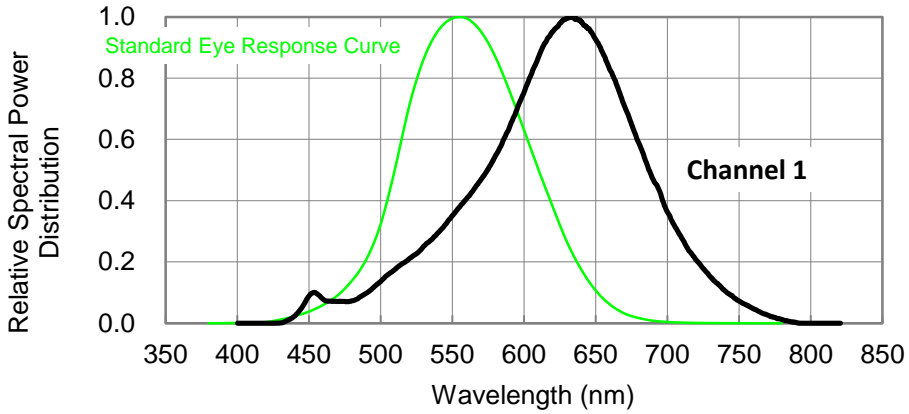
Channel 1 and Channel 2 Bin Structure

Bin Code	Center	Oval parameter	Typ. CCT (K)	Bin Code	Center	Oval parameter	Typ. CCT (K)
K0	x	a	2000	NO	x	a	3000
	y	b			y	b	
		e°				e°	
		21			30		

- Tolerance on each color bin (x , y) is ± 0.005

Color Spectrum, $T_c = 25^\circ\text{C}$

1. Dual Color : 2000K~3000K



Forward Current Relative Characteristics

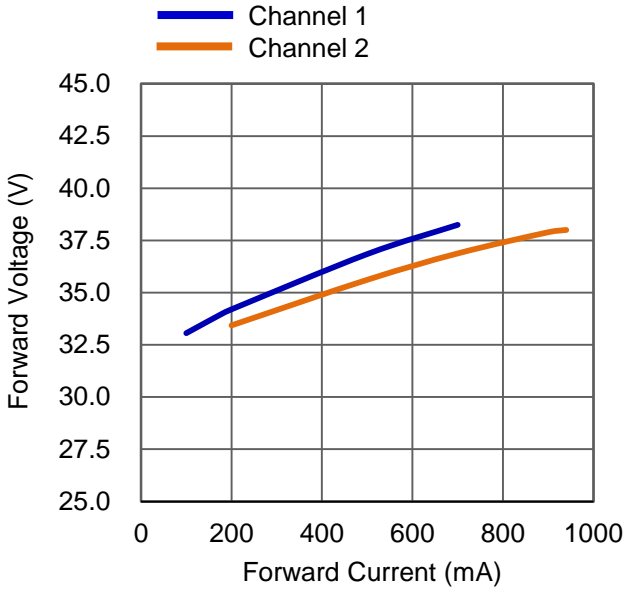


Fig 1. Forward Current vs. Forward Voltage at $T_c=25^\circ\text{C}$.

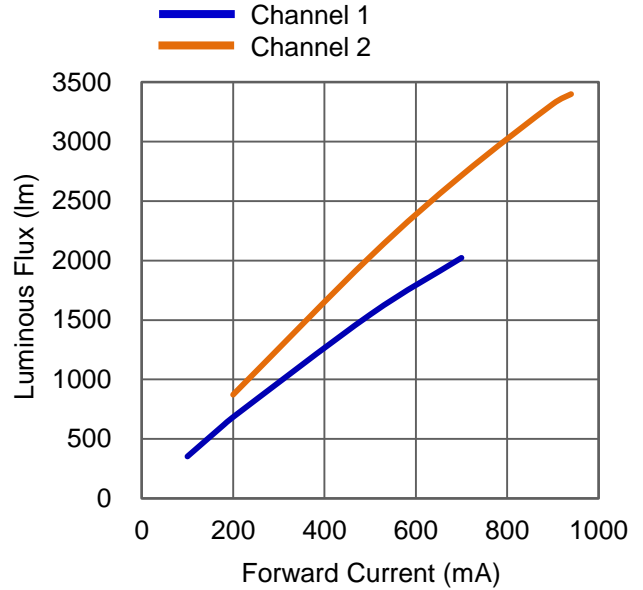


Fig 2. Forward Current vs. Relative Luminous Flux at $T_c=25^\circ\text{C}$.

Case Temperature Relative Characteristics

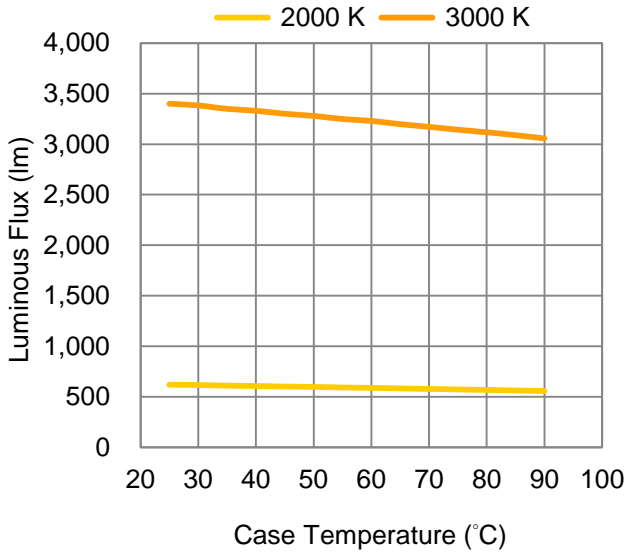


Fig 3. Case Temperature vs. Luminous Flux

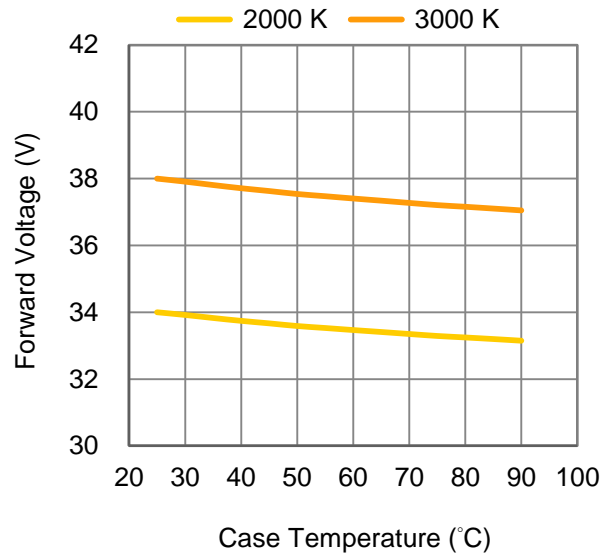


Fig 4. Case Temperature vs. Forward Voltage

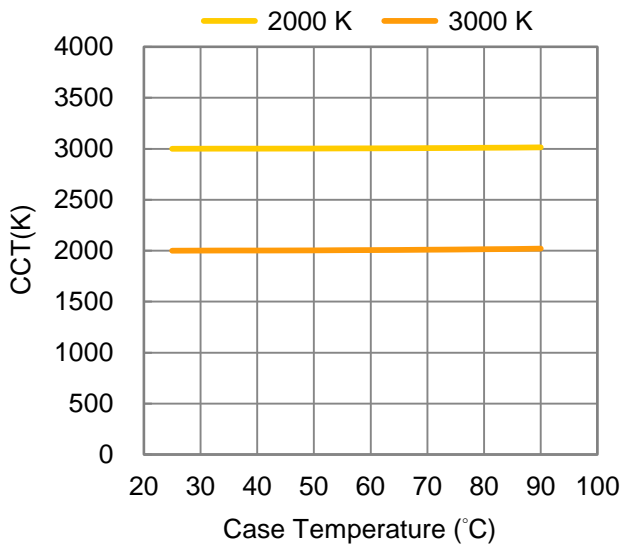
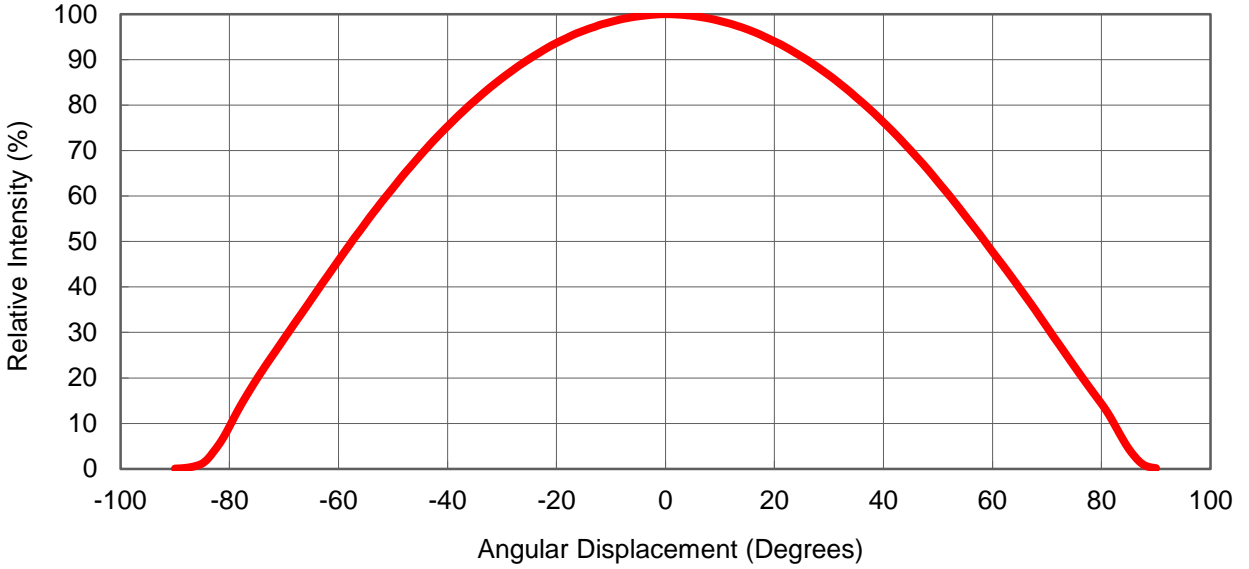


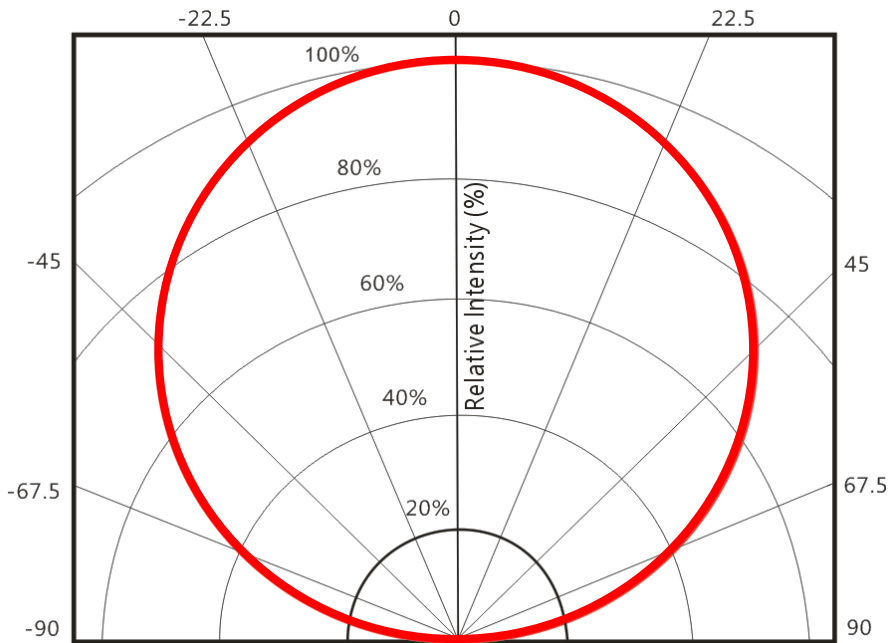
Fig 5. Case Temperature vs. Chromaticity Coordinate Δx

Typical Representative Spatial Radiation Pattern

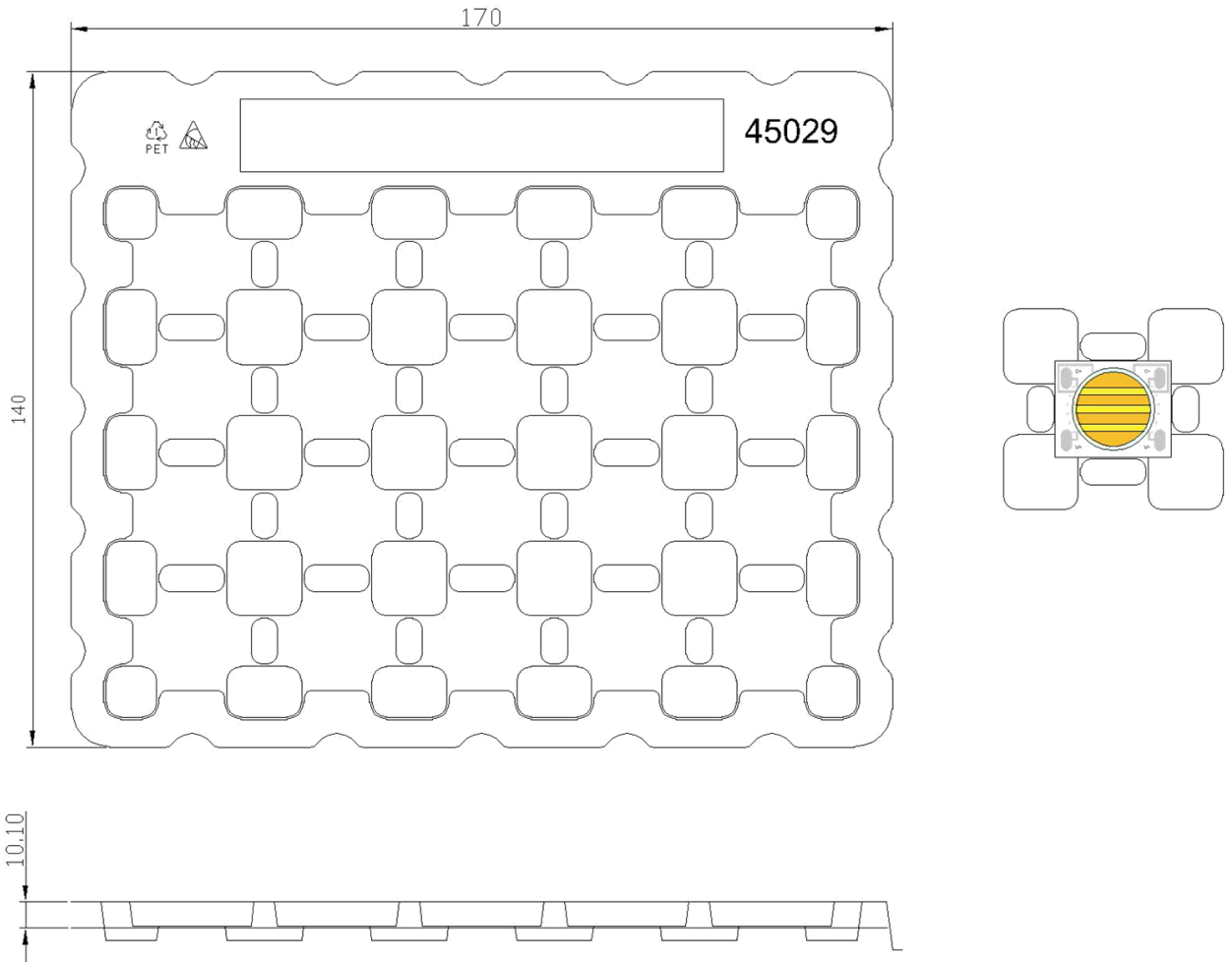
Lambertian Radiation Pattern



Polar Radiation Pattern



Packing Specifications



Product 20 pcs/tray

Notes:

1. Drawing not to scale.
2. All dimensions are in millimeters.
3. Unless otherwise indicated, tolerances are $\pm 0.20\text{mm}$.

Recommended Soldering Condition

- Please use lead free and “no clean ” solders.
- Soldering shall be implemented using a soldering tip at a temperature lower than 350 °C, and shall be finished within 3.5 seconds for each pad.
- During the soldering process, put the LEDs on materials whose conductivity is poor enough not to radiate heat of soldering.
- Properly solder tin wires before soldering them to LEDs.
- Avoid touching the silicone lens with the soldering iron.
- Please prevent flux from touching to the silicone lens.
- Please solder evenly on each pad.
- Contacts number of a soldering tip should be within twice for each pad.
- Next process of soldering should be carried out after the LEDs have return to ambient temperature.

*ProLight cannot guarantee if usage exceeds these recommended conditions.

Please use it after sufficient verification is carried out on your own risk if absolutely necessary.

Precaution for Use

- The modules light output are intense enough to cause injury to human eyes if viewed directly. Precautions must be taken to avoid looking directly at the modules with unprotected eyes.
- The modules are sensitive to electrostatic discharge. Appropriate ESD protection measures must be taken when working with the modules. Non-compliance with ESD protection measures may lead to damage or destruction of the product.
- Chemical solvents or cleaning agents must not be used to clean the modules. Mechanical stress on the Emitters must be avoided. It is best to use a soft brush, damp cloth or low-pressure compressed air.
- The products should be stored away from direct light in dry location.
- The appearance, specifications and flux bin of the product may be modified for improvement without notice. Please refer to the below website for the latest datasheets.
<http://www.prolightopto.com/>

Handling of Silicone Lens LEDs

Notes for handling of silicone lens LEDs

- Please do not use a force of over 0.3kgf impact or pressure on the silicone lens, otherwise it will cause a catastrophic failure.
- Avoid touching the silicone lens and the optical area of the COB Array especially by sharp tools such as Tweezers
- Avoid touching the silicone lens especially by sharp tools such as Tweezers.
- Avoid leaving fingerprints on the silicone lens.
- Please store the LEDs away from dusty areas or seal the product against dust.
- Please do not mold over the silicone lens with another resin. (epoxy, urethane, etc)