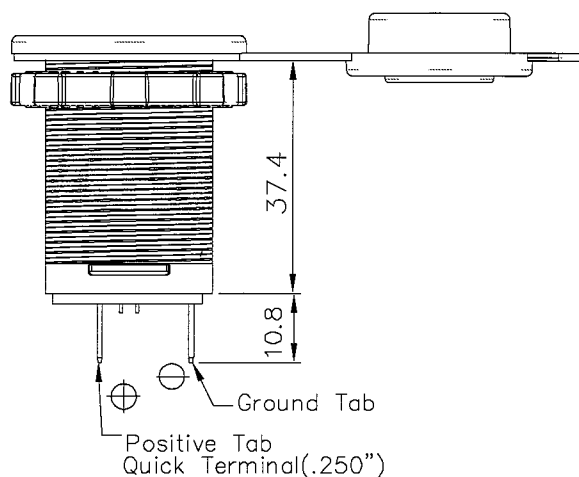
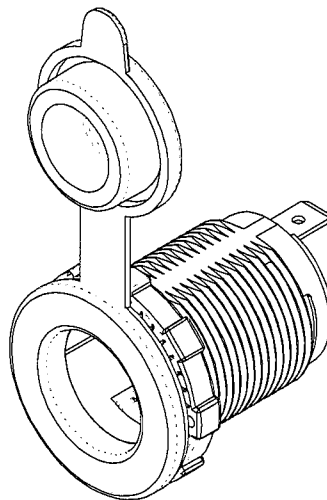
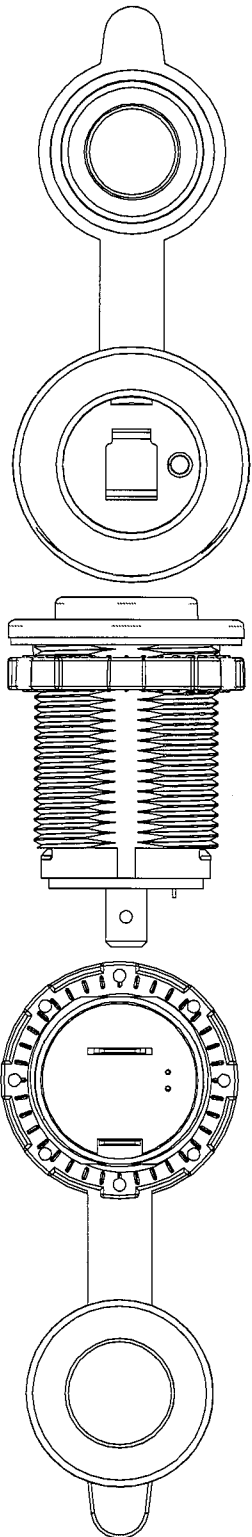


Rating	12.0VDC 20A max	
Insulation Resistance	DC 500V 100M ohm Min	
Dielectric Strength	AC 1500V 1minute	
Operation Temperature	-20°C~85°C	



Description:

- * Water proof sealing cap
- * SeaLink locking system
- * Easy to install using an optional mounting plate for front panel installation, or the locking ring for rear access installation
- * Compatible with standard CLA plugs
- * LED indicator

*.Tolerance is ± 0.2 unless otherwise noted



Date	Name	Descriptions				△
10/07/14	方婷鳳	Check	Approval	SCI BOM No. 1251306	Model Name	NO
10/21/14	許友福	Check	Approval	Customer No.	Model No.	REV.
10/07/14	10/21/14	10/21/14	Unit	mm	Shin Chin Industrial Co., Ltd.	0