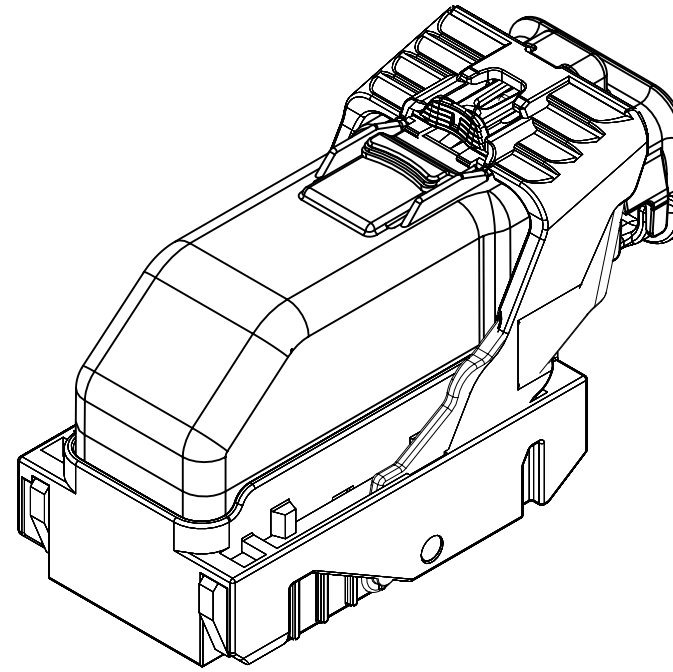

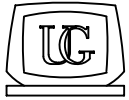


INDEX	
PAGE TITLE	PAGE
TITLE BLOCK	1
REVISION BLOCK	2
PART BLOCK	3
KPC BLOCK	4
COMPONENT TABLE	5
NOTES	6
NOTES	7
WIRE DRESS PACKAGING DIMENSIONS	8
LOCATION AND PACKAGING DIMENSIONS REFERENCING INTERFACE DATUMS B & C	9
LOCATION AND PACKAGING DIMENSIONS REFERENCING INTERFACE DATUM A	10
KEY ID REF - WIRE DRESS OPTION 0	11
KEY ID REF - WIRE DRESS OPTION 9	12
CIRCUIT CONFIGURATIONS	13
CIRCUIT CONFIGURATIONS	14
COMPONENT CONNECTOR INTERFACE	15
COMPONENT CONNECTOR INTERFACE	16
COMPONENT CONNECTOR INTERFACE	17
COMPONENT CONNECTOR INTERFACE	18
COMPONENT CONNECTOR INTERFACE	19
COMPONENT CONNECTOR INTERFACE	20
COMPONENT CONNECTOR INTERFACE	21




ISO VIEW

	<p>UNLESS OTHERWISE SPECIFIED: THIS DOCUMENT IS IN ACCORDANCE WITH ASME Y14.5M-1994 AS AMMENDED BY THE GM GLOBAL DIMENSIONING AND TOLERANCING ADDENDUM-1997. ALL GEOMETRIC TOLERANCES AND RELATED DATUMS APPLY RFS. RULE #1 (PERFECT FORM AT MMC) DOES NOT APPLY WHEN A RELATIONSHIP BETWEEN FEATURES IS ESTABLISHED BY ORIENTATION OR LOCATION TOLERANCES. SEPARATE POSITION CALLOUTS MAY BE GAGED SEPARATELY REGARDLESS OF DATUM REFERENCES.</p>			DATE
	 CHANGE RESTRICTED NO MANUAL CHANGES	REFERENCE 12H (MOLEX AUTOMOTIVE)	DRAFTER J SZYMKOWSKI APVD1 D PFAFFINGER APVD2 B BURT APVD3 APVD4 APVD5	22DE05 22DE05 22DE05
DO NOT SCALE	DRAWING NAME			
METRIC DIMENSIONS SHOWN IN MILLIMETERS UNLESS OTHERWISE SPECIFIED	HARNESS CONN ASM 66/73/80 CKTS			
	DRAWING NUMBER	DWG STATUS		PAGE NUMBER
		12642695	ST	
		R	002	1 OF 21

PAGE	DWG STATUS					REVISION HISTORY	AUTH	DR	CK	ENG
	DATE	ST	REV	CHG	PDI					
	19DE11	R	001			RELEASED TO PRODUCTION AT DLS A	CRMRJB	SC	MRO	GF
3	08MY15	R	002	A		REORDERED PART BLOCK AND ADDED MASS CORRECTED P/N TYPO FROM 12562676 TO 12582676				
3, 5		R	002	B		ADDED 12659312, 12659313, 12653574 AND 12653575				
6		R	002	C		REMOVED NOTE 1 . D . 3 . C				
20		R	002	D		DIM 125 WAS 3.25 DIM 131 WAS 5.5	CRMRJD	DFK	MRO	GF

PAGE	DWG STATUS					REVISION HISTORY	AUTH	DR	CK	ENG
	DATE	ST	REV	CHG	PDI					

	PAGE TITLE	DRAWING NUMBER	DWG STATUS			PAGE NUMBER	
	REVISION BLOCK		12642695	ST	REV	PDI	2 OF 21
				R	002		

KEY PRODUCT CHARACTERISTICS
(IN ACCORDANCE WITH QN 1805 OR ON 1050)



SAFETY/COMPLIANCE

TOTAL ON
DRAWING

5



FIT/FUNCTION

LAST NO.
USED

5

NO	TYPE	DESCRIPTION	RATIONALE	PAGE/ZONE
1	F/F	32.68	IMPROVE CONNECTOR SYSTEM MATING	15
2	F/F	29.00	INSURE PROPER RELEASE OF LEVER	15
3	F/F	15.25	INSURE FINAL MATE POSITION	16
5	F/F	POSITIONAL TOLERANCE (2 PLACES)	INSURE CONNECTOR SYSTEM MATEABILITY	19



PAGE TITLE
KPC BLOCK

DRAWING NUMBER

12642695

DWG STATUS

ST	REV	PD1
----	-----	-----

R	002	
---	-----	--

PAGE NUMBER

4 OF 21

LINE	MFG.	MFG. P/N	GM P/N	EFFECTIVE DATE	APPLICABLE COMPONENTS	KEY OPTION	WIRE DRESS OPTION	KEY CONFIG.	COLOR	STATUS
					DESCRIPTION					
-										
1	MOLEX	34565-0003	12582676	02JN03	MX123 DRESS COVER 66/73/80 CKT	N/A	N/A	N/A	BLACK	AVAILABLE
2	MOLEX	34822-0013	12642692	01SP13	MX123 HRNS CONN ASSY 66 CKT	A	0	1458	BLACK	AVAILABLE
3	MOLEX	34822-0033	12659312	01SP13	MX123 HRNS CONN ASSY 66 CKT	C	0	2467	BLUE	AVAILABLE
4	MOLEX	34822-0023	12642693	01SP13	MX123 HRNS CONN ASSY 66 CKT	A	9	1458	BLACK	AVAILABLE
5	MOLEX	34822-0043	12659313	01SP13	MX123 HRNS CONN ASSY 66 CKT	C	9	2467	BLUE	AVAILABLE
6	MOLEX	34566-0103	12582677	11JN04	MX123 HRNS CONN ASSY 73 CKT	A	0	1458	BLACK	AVAILABLE
7	MOLEX	34566-0203	12582678	11JN04	MX123 HRNS CONN ASSY 73 CKT	B	0	1468	ST GRAY	AVAILABLE
8	MOLEX	34566-0303	12615654	09AP08	MX123 HRNS CONN ASSY 73 CKT	C	0	2467	BLUE	AVAILABLE
9	MOLEX	34566-0403	12647268	T.B.D	MX123 HRNS CONN ASSY 73 CKT	D	0	2367	BROWN	NOT ACTIVE
10	MOLEX	34566-0503	AMJ28633	T.B.D	MX123 HRNS CONN ASSY 73 CKT	E	0	2468	GREEN	NOT ACTIVE
11	MOLEX	34566-0603	12653574	05DC14	MX123 HRNS CONN ASSY 73 CKT	F	0	1357	NATURAL	AVAILABLE
12	MOLEX	34566-0703	12588057	09AP08	MX123 HRNS CONN ASSY 80 CKT	G	0	1358	BLUE	AVAILABLE
13	MOLEX	34566-0803	12588058	11JN04	MX123 HRNS CONN ASSY 80 CKT	H	0	2458	ST GRAY	AVAILABLE
14	MOLEX	34566-0903	12615656	T.B.D	MX123 HRNS CONN ASSY 80 CKT	J	0	2457	BLACK	NOT ACTIVE
15	MOLEX	34566-1003	AMJ28595	T.B.D	MX123 HRNS CONN ASSY 80 CKT	K	0	2357	BROWN	NOT ACTIVE
16	MOLEX	34566-1103	AMJ29057	T.B.D	MX123 HRNS CONN ASSY 80 CKT	L	0	2368	GREEN	NOT ACTIVE
17	MOLEX	34566-1203	AMJ28669	T.B.D	MX123 HRNS CONN ASSY 80 CKT	M	0	2358	NATURAL	NOT ACTIVE
18	MOLEX	34566-1303	12603596	11JN04	MX123 HRNS CONN ASSY 73 CKT	A	9	1458	BLACK	AVAILABLE
19	MOLEX	34566-1403	12603597	11JN04	MX123 HRNS CONN ASSY 73 CKT	B	9	1468	ST GRAY	AVAILABLE
20	MOLEX	34566-1503	12615655	09AP08	MX123 HRNS CONN ASSY 73 CKT	C	9	2467	BLUE	AVAILABLE
21	MOLEX	34566-1603	12647269	T.B.D	MX123 HRNS CONN ASSY 73 CKT	D	9	2367	BROWN	NOT ACTIVE
22	MOLEX	34566-1703	AMJ28698	T.B.D	MX123 HRNS CONN ASSY 73 CKT	E	9	2468	GREEN	NOT ACTIVE
23	MOLEX	34566-1803	12653575	05DC14	MX123 HRNS CONN ASSY 73 CKT	F	9	1357	NATURAL	AVAILABLE
24	MOLEX	34566-1903	12603598	09AP08	MX123 HRNS CONN ASSY 80 CKT	G	9	1358	BLUE	AVAILABLE
25	MOLEX	34566-2003	12603599	11JN04	MX123 HRNS CONN ASSY 80 CKT	H	9	2458	ST GRAY	AVAILABLE
26	MOLEX	34566-2103	12615657	T.B.D	MX123 HRNS CONN ASSY 80 CKT	J	9	2457	BLACK	NOT ACTIVE
27	MOLEX	34566-2203	AMJ29117	T.B.D	MX123 HRNS CONN ASSY 80 CKT	K	9	2357	BROWN	NOT ACTIVE
28	MOLEX	34566-2303	AMJ29136	T.B.D	MX123 HRNS CONN ASSY 80 CKT	L	9	2368	GREEN	NOT ACTIVE
29	MOLEX	34566-2403	AMJ29214	T.B.D	MX123 HRNS CONN ASSY 80 CKT	M	9	2358	NATURAL	NOT ACTIVE
30	MOLEX	34736-2002	12642697	01AU10	MX64 RCPT TERM Ag 18/20 GAGE B (RIGHT PAYOFF)	N/A	N/A	N/A	N/A	AVAILABLE
31	MOLEX	34736-2001	12642696	01AU10	MX64 RCPT TERM Ag 22 GAGE B (RIGHT PAYOFF)	N/A	N/A	N/A	N/A	AVAILABLE
32	MOLEX	34586-0001	T.B.D.	11JN04	MX123 0.64MM GROMMET PLUG	N/A	N/A	N/A	NATURAL	AVAILABLE
33	YAZAKI	7116-4150-02	12588066	02JN03	2.8mm YESC SEALED FEMALE TERMINAL TIN 20/22 GAGE (CABLE RANGE 0.30mm-0.60mm)	N/A	N/A	N/A	N/A	NOT ACTIVE
34	YAZAKI	7116-4151-02	12588067	02JN03	2.8mm YESC SEALED FEMALE TERMINAL TIN 16/18 GAGE (CABLE RANGE 0.75mm-1.40mm)	N/A	N/A	N/A	N/A	NOT ACTIVE
35	YAZAKI	7116-4152-02	12582685	02JN03	2.8mm YESC SEALED FEMALE TERMINAL TIN 14 GAGE (CABLE RANGE 1.50mm-2.50mm)	N/A	N/A	N/A	N/A	AVAILABLE
36	YAZAKI	7158-3111-60	12588068	02JN03	2.8mm CABLE SEAL (wire O.D. range 1.20mm-1.90mm)	N/A	N/A	N/A	GREEN	NOT ACTIVE
37	YAZAKI	7158-3112-70	12588069	02JN03	2.8mm CABLE SEAL (wire O.D. range 1.80mm-2.30mm)	N/A	N/A	N/A	YELLOW	NOT ACTIVE
38	YAZAKI	7158-3113-40	12582686	02JN03	2.8mm CABLE SEAL (wire O.D. range 2.18mm-3.00mm)	N/A	N/A	N/A	WHITE	AVAILABLE
39	YAZAKI	7158-3114-90	T.B.D	02JN03	2.8mm YESC CAVITY PLUG	N/A	N/A	N/A	BLUE	AVAILABLE
40	MOLEX	63811-4200	XX019825	02JN03	MX64 TERM HAND CRIMP TOOL	N/A	N/A	N/A	N/A	AVAILABLE
41	MOLEX	63813-1400	XX019826	02JN03	MX64 TERM SERVICE TOOL	N/A	N/A	N/A	N/A	AVAILABLE
42	MOLEX	63865-8000	XX019827	02JN03	MX64 CRIMP APPLICATOR with TOOL KIT 18/20 GAGE PAYOFF DIRECTION D (left payoff) (contact Molex for payoff detail)	N/A	N/A	N/A	N/A	AVAILABLE
43	MOLEX	63865-8070	XX019828	02JN03	MX64 APPLICATOR TOOL KIT 18/20 GAGE	N/A	N/A	N/A	N/A	AVAILABLE
44	MOLEX	63865-8100	XX019829	02JN03	MX64 CRIMP APPLICATOR with TOOL KIT 22 GAGE PAYOFF DIRECTION D (left payoff) (contact Molex for payoff detail)	N/A	N/A	N/A	N/A	AVAILABLE
45	MOLEX	63865-8170	XX019830	02JN03	MX64 APPLICATOR TOOL KIT 22 GAGE	N/A	N/A	N/A	N/A	AVAILABLE
46	SPX	J35616-64	T.B.D.	02JN03	0.64mm PROBE TOOL (for rcpt)	N/A	N/A	N/A	N/A	AVAILABLE
47	SPX	J35616-64A	T.B.D.	02JN03	0.64mm PROBE TOOL WITH EXT (for rcpt)	N/A	N/A	N/A	N/A	AVAILABLE
48	SPX	J35616-65	T.B.D.	02JN03	0.64mm PROBE TOOL WITH EXT (for pin)	N/A	N/A	N/A	N/A	AVAILABLE
49	SPX	J35616-4A	T.B.D.	02JN03	2.8mm PROBE TOOL (for rcpt)	N/A	N/A	N/A	N/A	AVAILABLE
50	YAZAKI	X39899-J374	12094430	02JN03	2.8mm TERM SERVICE TOOL	N/A	N/A	N/A	N/A	AVAILABLE

002B

* - MX123 DRESS COVER 73/80/66 CKT MATES TO ANY MX123 HARN CONN ASSY SHOWN ON TABLE ABOVE



PAGE TITLE
COMPONENT TABLE

DRAWING NUMBER
12642695

DWG STATUS			PAGE NUMBER
ST	REV	PD1	
R	002		

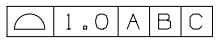
5 OF 21

NOTES: UNLESS OTHERWISE SPECIFIED

1. MATERIAL FOR INTERFACE:

- A. RESIN:
 - 1. 30% G.F. PBT; 20% MAX. (BY WEIGHT) REGRIND.
 - 2. MATING CONNECTOR INTERFACE PART COLOR MUST BE SAME AS MATCHING KEYED HARNESS CONNECTOR ASSEMBLY.
 - 3. MUST BE VALIDATED FOR INDIVIDUAL DEVICE APPLICATION REQUIREMENTS.
- B. 0.64MM PINS:
 - 1. BASE MATERIAL: COPPER ALLOY; CONDUCTIVITY >= 28% IACS AT 20°C; TENSILE STRENGTH >= 635 N/mm²; SURFACE ROUGHNESS R_a 6 MAX.
 - 2. PLATING FINISH: SILVER (Ag). PLATING TO BE 1.9-3.3 μm ELECTRODEPOSITED SEMI-BRIGHT SILVER OVER 1.25-2.25 μm DUCTILE SULPHAMATE NICKEL PER NOTE 1(D).
 - 3. ANTI-TARNISH: SYNTHETIC HYDROCARBON CONTACT SURFACE FINISH OR EQUIVALENT APPLIED WITHOUT VOID TO CONTACT AREA (MIN 3.7mm FROM PIN TIP).
- C. 2.8MM BLADE:
 - 1. BASE MATERIAL: COPPER ALLOY; CONDUCTIVITY >= 28% IACS AT 20°C; TENSILE STRENGTH >= 350 N/mm²; SURFACE ROUGHNESS R_a 6 MAX.
 - 2. PLATING FINISH: TIN. PLATING TO BE 2.5-5.0 μm ELECTRODEPOSITED TIN, MATTE FINISH OVER 1.25-2.5 μm DUCTILE SULPHAMATE NICKEL PER NOTE 1(D).
- D. PLATING REQUIREMENTS:
 - 1. SILVER PLATING
 - a. 99.5% PURE SEMI-BRIGHT WITH NO ORGANIC BRIGHTNERS OR CHROMATES.
 - 2. NICKEL PLATING
 - a. ELECTRODEPOSITED DUCTILE SULFAMATE NICKEL WITH A NON-BRIGHTENED FINISH. NO ORGANIC OR BRIGHTENING AGENTS SHALL BE ALLOWED.
 - b. SHALL ONLY BE USED AS AN UNDERLYING PLATING AND MAY NOT BE USED AS AN ELECTRICAL CONTACT SURFACE PLATING.
 - c. SHALL BE NODULE FREE WHEN VIEWED AT 10X MAGNIFICATION IN MEASURED IN CONTACT SURFACE AREA PLUS 0.5MM PERIMETER AROUND THE CONTACT SURFACE AREA.
 - d. ALL PLATINGS SHALL HAVE A 1.0% MAXIMUM BY WEIGHT IMPURITIES. IMPURITIES ARE DEFINED AS ALL ELEMENTS NOT THE PRIMARY PLATING OR HARDENING AGENT IF APPLICABLE, AS DETERMINED BY WET CHEMICAL ANALYSIS OR AUGER METHOD. NO SINGLE IMPURITY SHALL EXCEED 0.1% MAXIMUM BY WEIGHT.
 - 3. TESTING
 - a. THICKNESS TO BE MEASURED IN CONTACT SURFACE AREA PLUS 0.5MM PERIMETER AROUND THE CONTACT SURFACE AREA AS DESIGNATED IN THE DRAWING. THICKNESS SHALL BE DETERMINED BY METHOD OF X-RAY (XRF).
 - b. PLATING ADHESION SHALL BE TESTED BY A BEND TEST FOR ALL METALS. THE TEST SAMPLE SHALL BE BENT 90 DEGREES TO DETERMINE DEPOSIT ADHESION. TESTING SHALL BE COMPLETED IN ACCORDANCE WITH ASTM SPEC B571.


2. DESIGN - GENERAL:

- A. THIS IS A 100% CAD GENERATED PART. THE CAD MATHEMATICAL DATA IS THE MASTER FOR THIS PART. FOR DIMENSIONAL OR ANY INFORMATION NOT SHOWN ON THIS DRAWING, ANALYZE THE CAD MODEL.
- B. TOLERANCES:
 - 1. LINEAR
 - 0.X ± 0.30
 - 0.XX ± 0.10
 - 0.XXX ± 0.10
 - 2. ANGULAR X° ± 3°
 - 3. 
- C. MINIMUM WALL THICKNESS REQUIRED: 1.3mm.
- D. CORNERS SHOWN AS SHARP TO BE R 0.2 MAX.
- E. LETTERING SHALL BE 0.15 MAX RAISED IN 0.20 MAX RECESS PAD. THIS INCLUDES MATERIAL CODE, RECYCLING CODE, CAVITY ID AND DATE CODE.
- F-1. PARTS MUST BE FREE OF DISCOLORATION, SALT RESIDUE AND OTHER IMPERFECTIONS THAT AFFECT FIT OR FUNCTION.
- F-2. SCRATCHES OR DENTS NOT TO EXCEED 0.013mm IN DEPTH.
- G. FOLLOWING PRODUCTION CODES TO BE PERMANENTLY MARKED & HUMAN READABLE TO A LETTER HEIGHT OF 1.5 ± 0.5MM X 0.3 MAX DEEP
 - 1. MATERIAL #: XXXXX-XXXX
 - 2. DATE CODE: JJJY (JULIAN DAY, LAST DIGIT OF YEAR)
 - 3. INSPECTION MACHINE CODE + SERIAL #: X_XXXXX

3. DESIGN - MANUFACTURING:

- A. DRAFT TO BE WITHIN TOLERANCE.
- B. ALLOWABLE FLASH MAX 0.2 HIGH X MAX 0.13 THICK.
- C. ALLOWABLE PARTING LINE MISMATCH 0.2 MAX.
- D. EJECTOR PINS MARK TO BE FLUSH TO 0.25 MAX DEPRESSED.
- E. ALLOWABLE GATE VESTIGE FLUSH TO 0.25 MAX PROTRUSION.
- F. NO EXTERNAL MOLD RELEASE AGENT ALLOWED DURING MANUFACTURING.
- G. STEEL THAT FORMS THE INDICATED SURFACE MUST BE POLISHED WITH A DIAMOND FINISH (SPI A-2) OVER THE FULL PERIPHERY OF THE TOOL. SURFACE MUST HAVE NO MISMATCH.
- H. ANY PROCESS LUBRICANT REMAINING ON THE TERMINAL MUST NOT VARNISH OR DEGRADE IT'S ELECTRICAL PERFORMANCE UP TO A MAXIMUM CLASS AMBIENT TEMPERATURE PER SAE USCAR-2 FOR 1008 HOURS. PROCESS LUBRICANTS SHOULD BE APPROVED BY THE RESPONSIBLE ENGINEER.
- J. OPTIONAL FEATURES PROVIDED FOR AUTOMATION.
- K. PART MUST BE FREE FROM BURRS AND SHARP EDGES, WHICH MIGHT BE DETRIMENTAL TO SATISFACTORY ASSEMBLY, SAFE HANDLING OR FUNCTION OF PART.
- L. PARTS AS DELIVERED TO ASSEMBLY SHALL BE CLEAN AND FREE OF DEBRIS, RESIDUAL ABRASIVE MATERIAL AND CORROSION PRODUCTS ADVERESLY AFFECTING FUNCTION OR APPEARENCE.
- M. RESTRICTED AND REPORTABLE SUBSTANCES FOR PARTS PER GMW3059.

002C

	PAGE TITLE	DRAWING NUMBER 12642695	DWG STATUS			PAGE NUMBER 6 OF 21
	NOTES		ST	REV	PDI	
			R	002		

NOTES: UNLESS OTHERWISE SPECIFIED

4. SYSTEM REQUIREMENTS:

A. HARNESS CONNECTOR IS COMPATIBLE WITH THE FOLLOWING SAE WIRE SIZE NO'S:

- 14, MEETING SAE J1128
- 18, MEETING SAE J1128, MAX O.D. OF 2.06 MM
- 20, MEETING SAE J1128
- 22, MEETING SAE J1128, MIN O.D. OF 1.47 MM

B. CABLE TIE SPECIFICATIONS:

- 1. CABLE TIE:
 - TENSILE RATING: 220N / (50lbs) MIN
 - TIE LENGTH: 186mm MIN
 - TIE WIDTH: 4.75mm MAX
 - MATERIAL: NYLON
- 2. INSTALLATION:
 - CABLE TIE TENSION: 190N MIN
- 3. DRESSED WIRE BUNDLE PACKAGING: SEE FIG. 1

C. WHEN MATED WITH COMPONENT CONNECTOR INTERFACE AND/OR DRESS COVER, HARNESS CONNECTOR SYSTEM CONFORMS TO THE FOLLOWING:

- 1. SAE/USCAR-2, REV: 3 APRIL, 2001; CLASS 3
- 2. FIELD CORRELATED LIFE TEST, SAE/USCAR-20, NOV. 2001
- 3. GMW #3191 AUGUST 22, 2000 (DRAFT); TEMPERATURE CLASS 3, SEALING CLASS 1, VIBRATION CLASS 2
- 4. RESTRICTED AND REPORTABLE CHEMICALS PER GMW #3059, REV: D AUGUST 2002
- 5. TPA USER FORCES (FULLY POPULATED WITH TERMINALS)
 - a. REMOVAL FROM LOCK TO PRE-SET: <=120N

D. WIRE SPECIFICATIONS:

- 1. WIRE SURFACE MUST BE FREE OF SCRATCHES, GROOVES OR DENTS WHERE FUNCTIONAL

5. TERMINAL CURRENT RATINGS:

ALL TESTING DONE IN ACCORDANCE WITH USCAR-2 REV5 SECTION 5.3

A. MX64 RCPT TERM

- 1. MX64 RCPT TERM Ag 18/20 GAGE CRIMPED TO SAE WIRE SIZE NO.18 AND MATED TO MX123 0.64MM PIN: 11.3 AMPS
- 2. MX64 RCPT TERM Ag 22 GAGE CRIMPED TO SAE WIRE SIZE NO.22 AND MATED TO MX123 0.64MM PIN:8.5 AMPS

WIRE	CURRENT RATING			
	23°C	85°C	105°C	125°C
18AWG	11.3A	11.3A	9.5A	6.6A
20AWG	10.0A	10.0A	8.3A	5.7A
22AWG	8.6A	8.6A	7.1A	5.0A

B. 2.8MM RCPT TERM

- 1. 2.8MM RCPT TERM TIN 14 GAGE CRIMPED TO SAE WIRE SIZE NO.14 AND MATED TO MX123 2.8MM BLADE: 25.6 AMPS

6. CONTACT MOLEX AUTOMOTIVE FOR AVAILABLE CUSTOM PATTERNS OF CAVITIES OPEN FOR CIRCUITS



PAGE TITLE
NOTES

DRAWING NUMBER

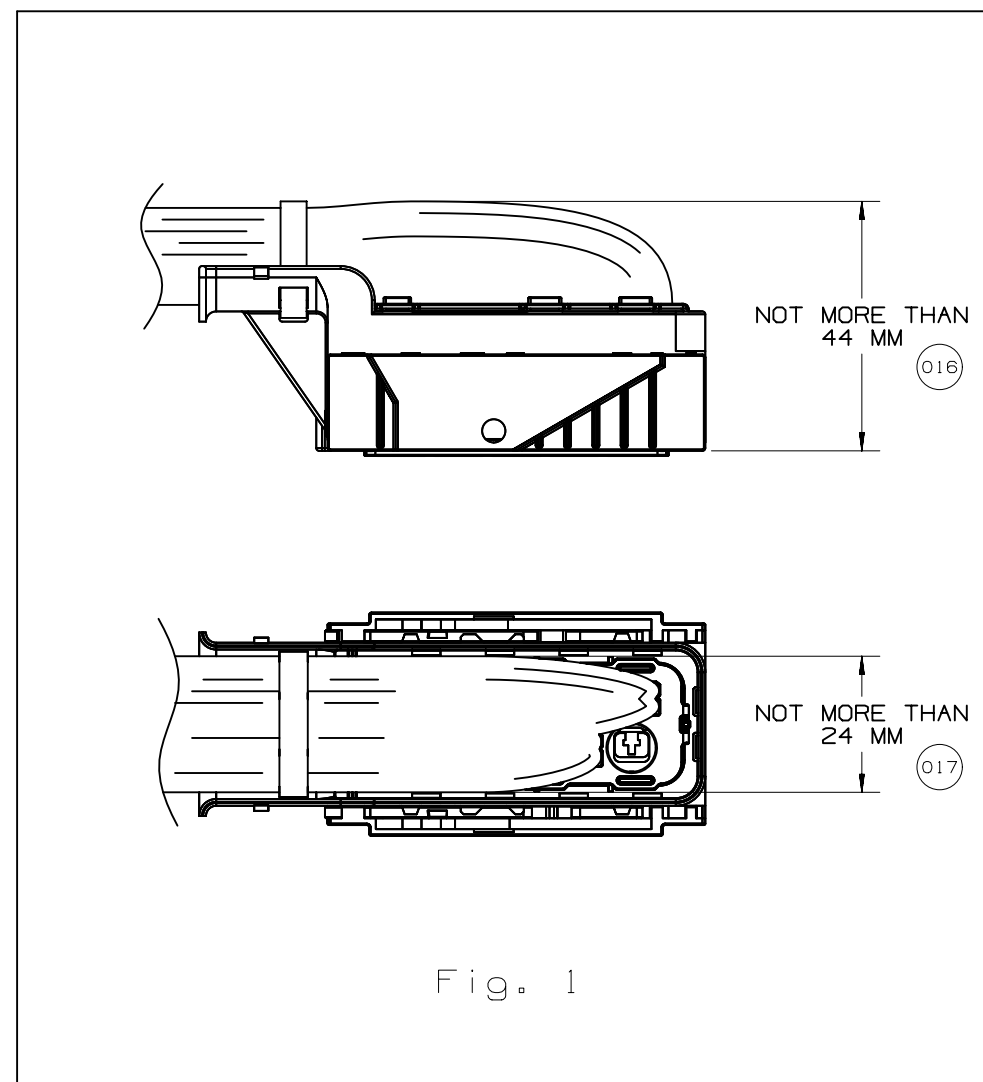
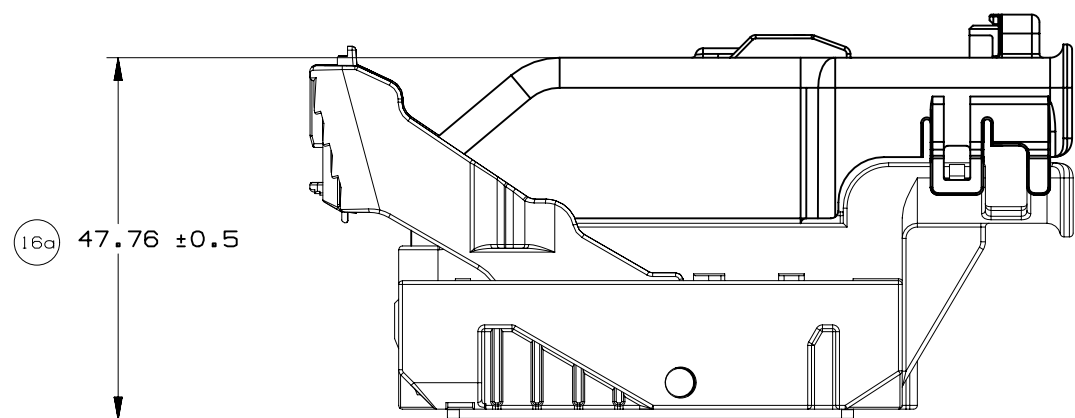
12642695

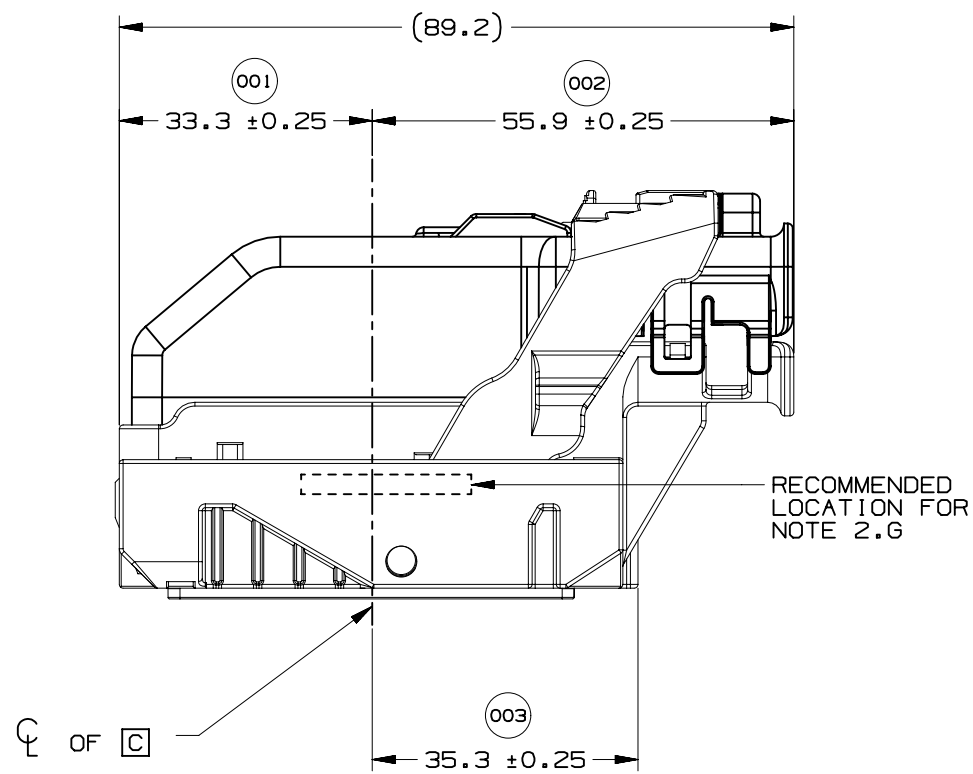
DWG STATUS

ST	REV	PDI
R	002	

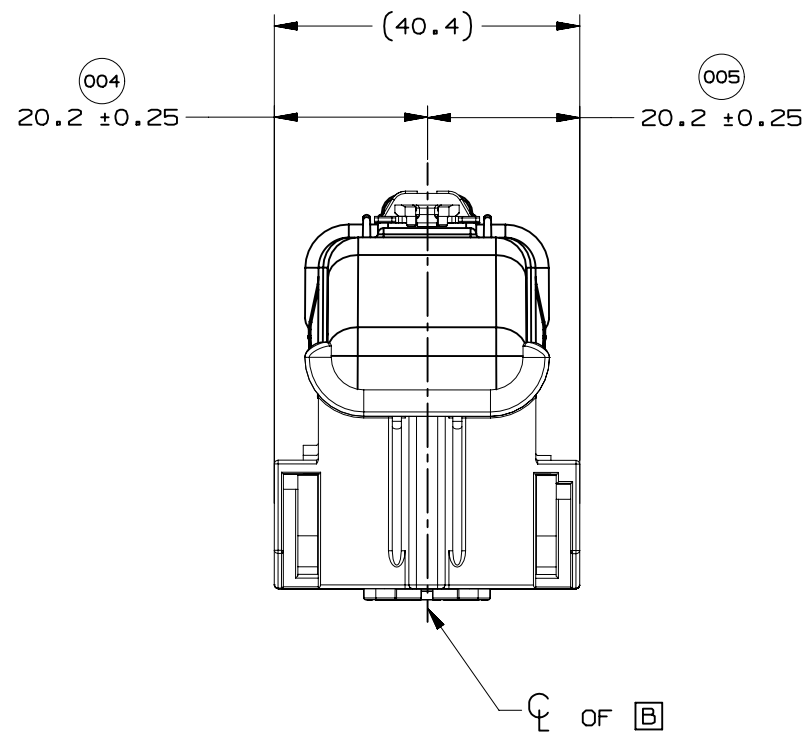
PAGE NUMBER

7 OF 21

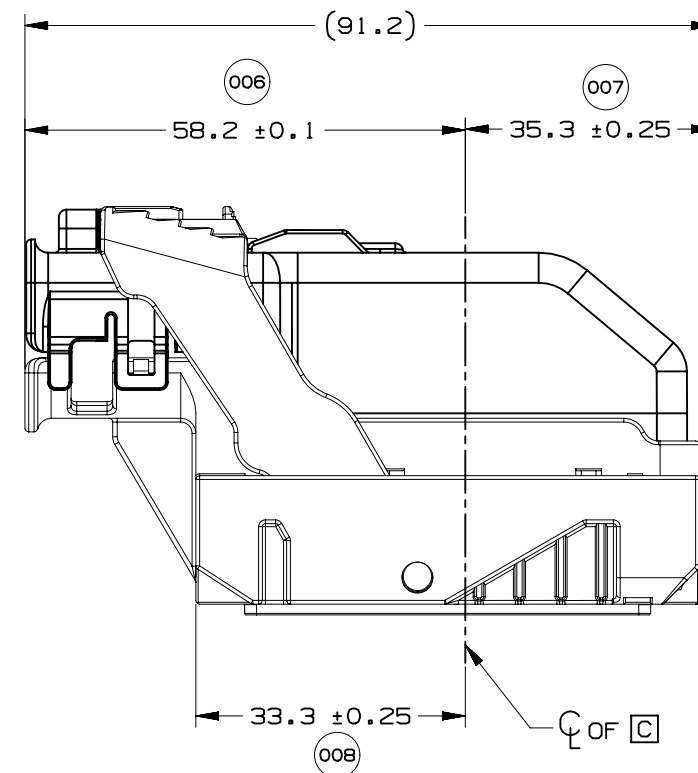




WIRE DRESS OPTION 0 SHOWN

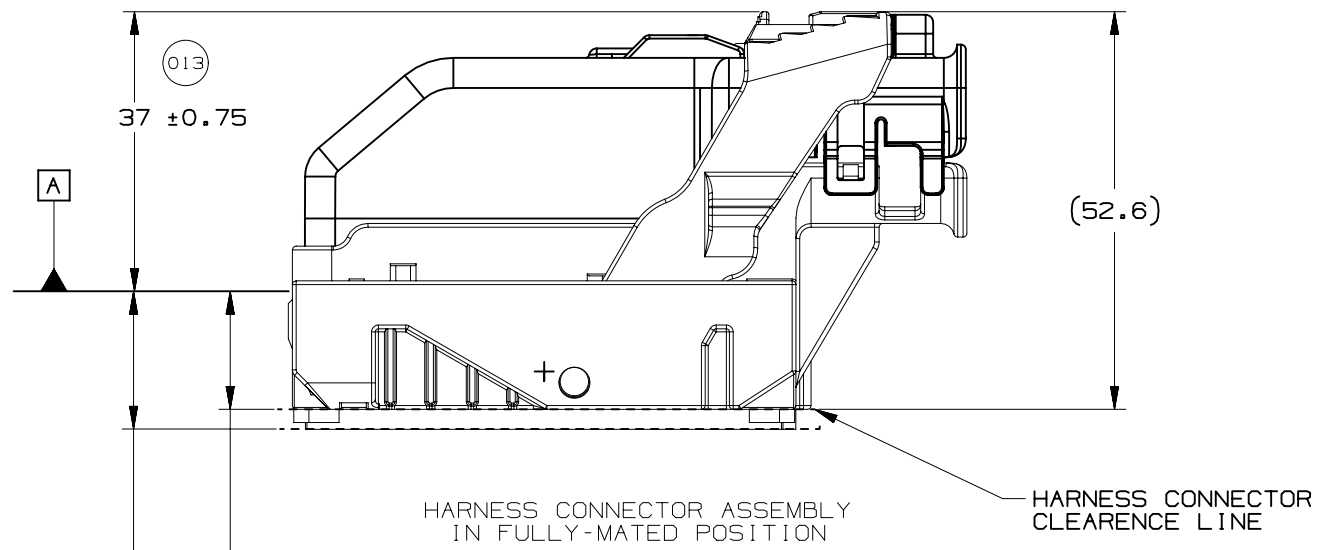
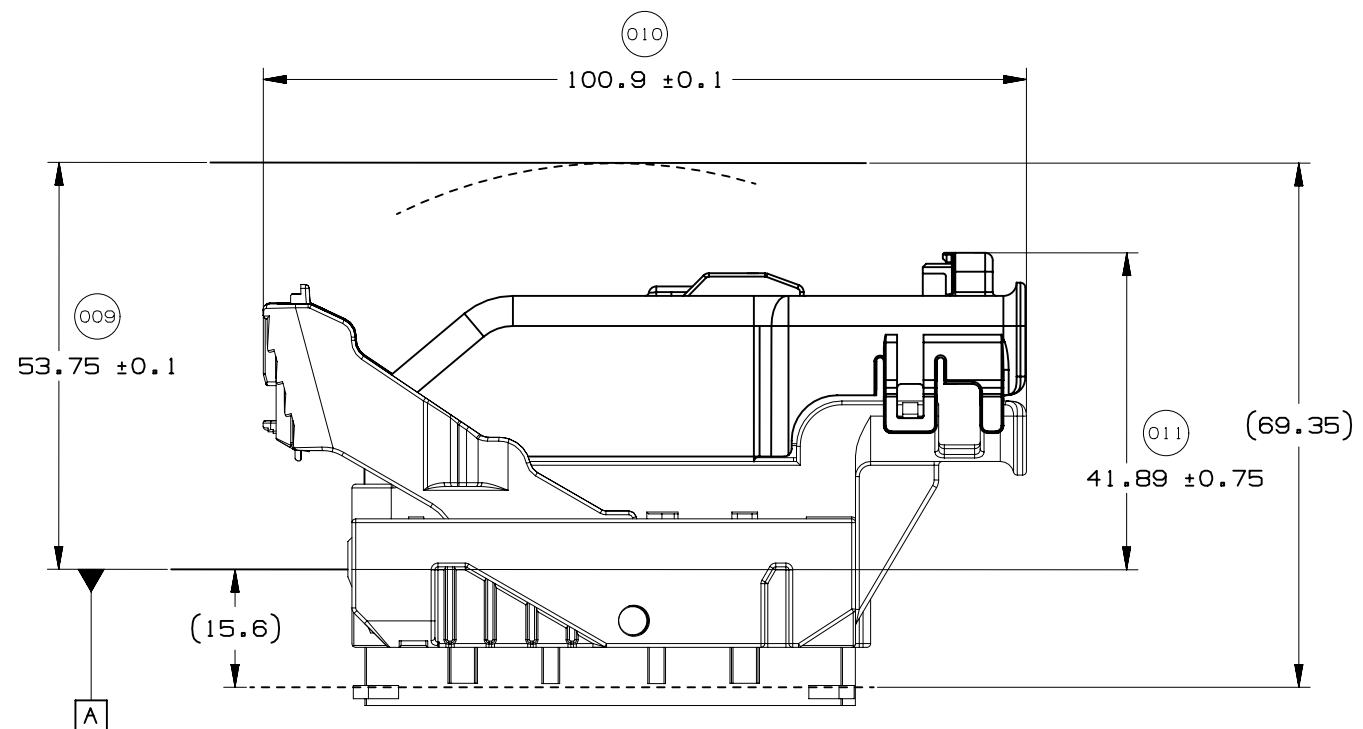
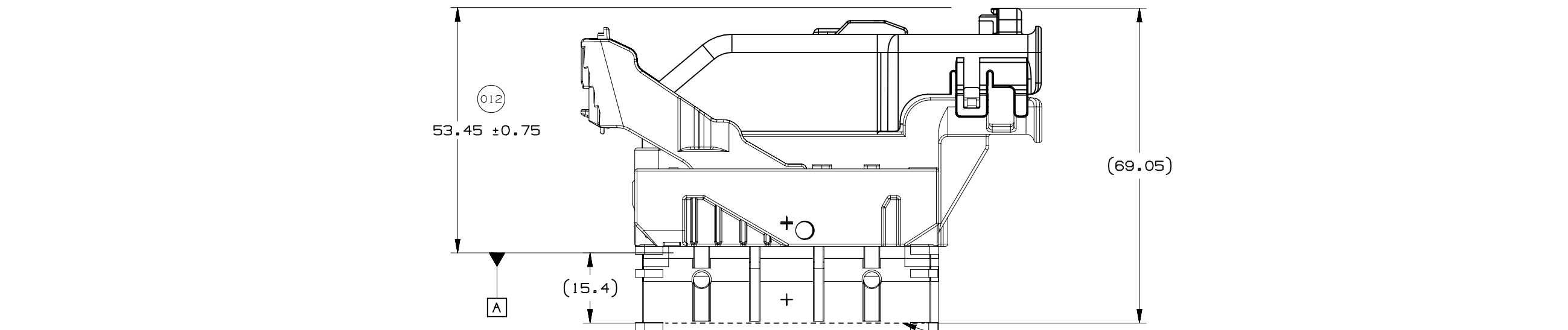


WIRE DRESS OPTION 0 SHOWN



WIRE DRESS OPTION 9 SHOWN





17.9 MIN. AT PAD LOCATION CLEARANCE REQUIRED FOR HARNESS CONNECTOR CONSTRUCTION BELOW THIS PLANE IS NOT CONTROLLED

015

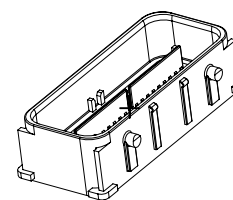
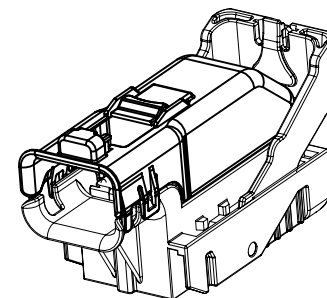
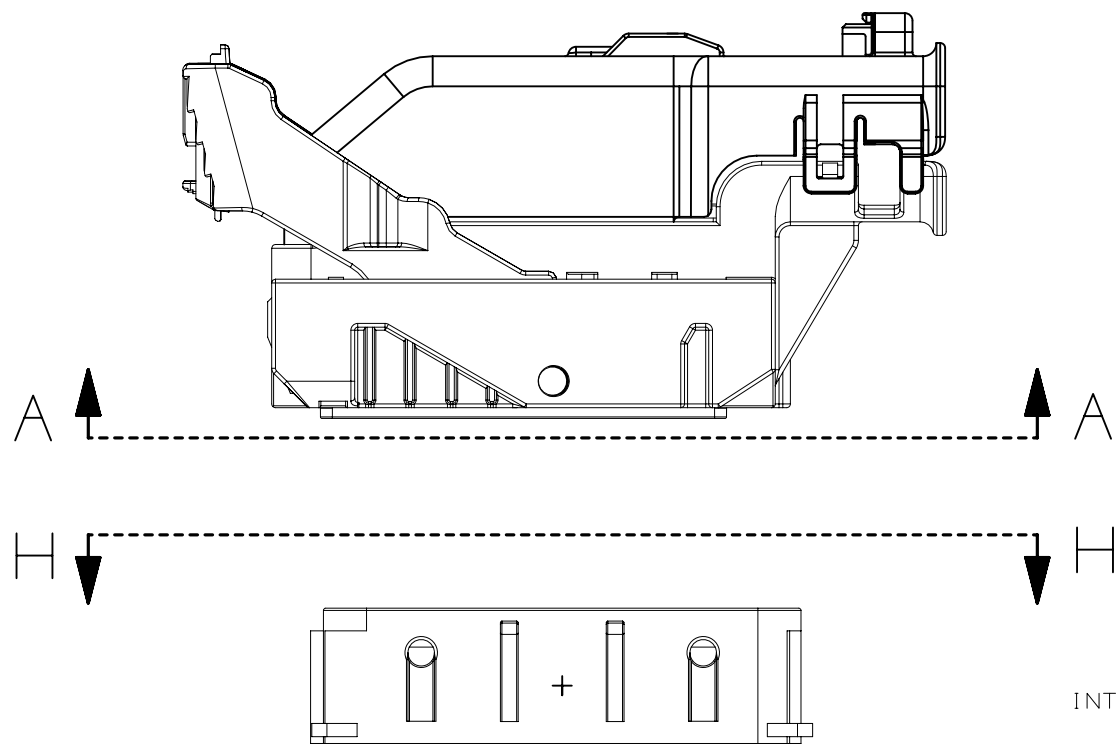


PAGE TITLE
 LOCATION AND PACKAGING DIMENSIONS
 REFERENCING INTERFACE DATUM A

DRAWING NUMBER
 12642695

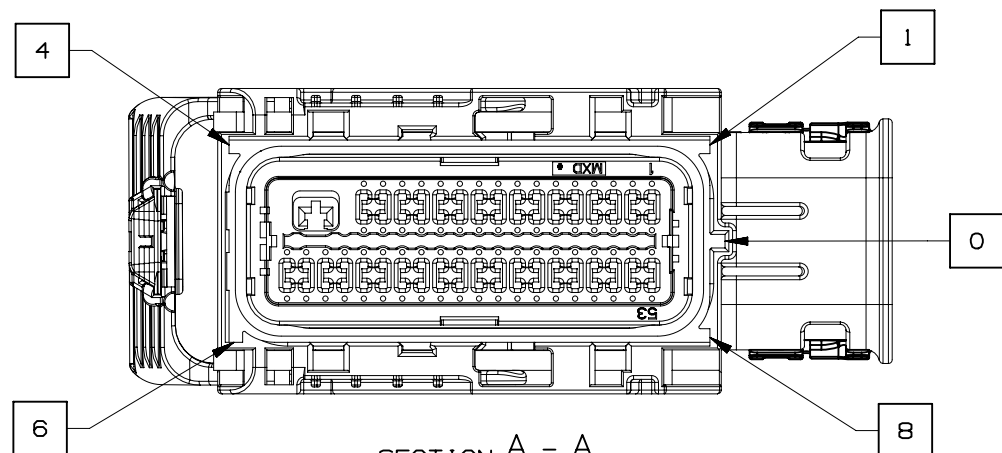
DWG STATUS		
ST	REV	PD1
R	002	

PAGE NUMBER
 10 OF 21

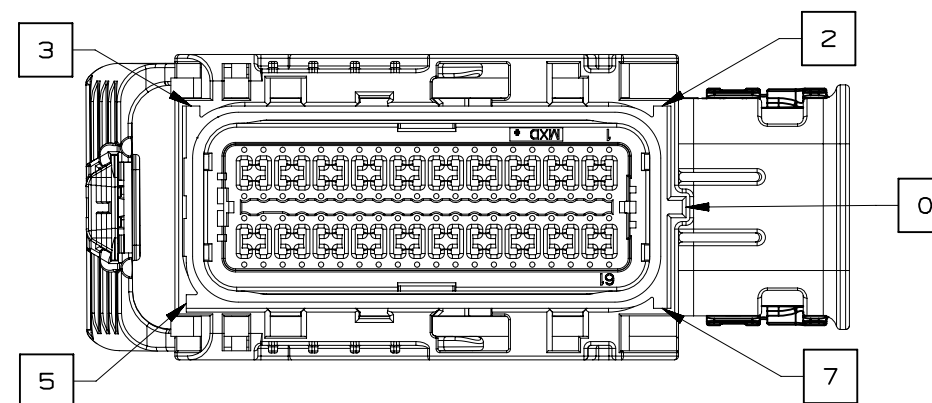


NOTE: REFERENCE THE COMPONENT TABLE FOR KEY OPTIONS AND CONFIGURATIONS

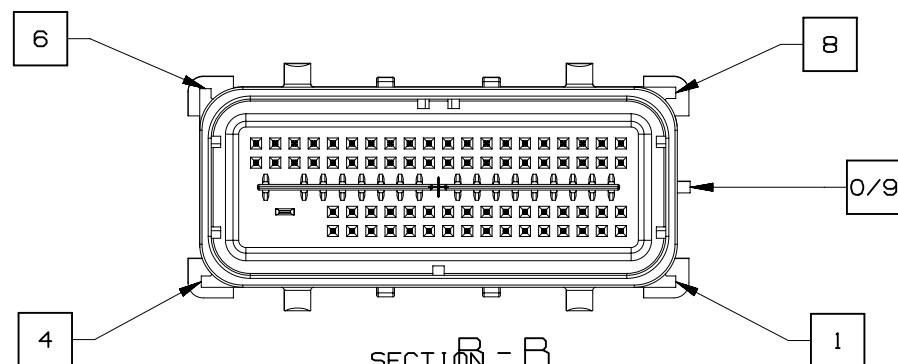
INTERFACE SIDE SHOWN ON ALL SECTION VIEWS



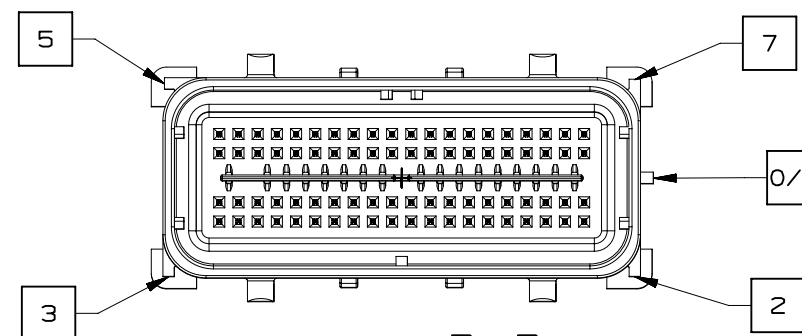
SECTION A - A
KEY OPTION B SHOWN



SECTION A - A
KEY OPTION K SHOWN



SECTION B - B
KEY OPTION B SHOWN



SECTION B - B
KEY OPTION K SHOWN

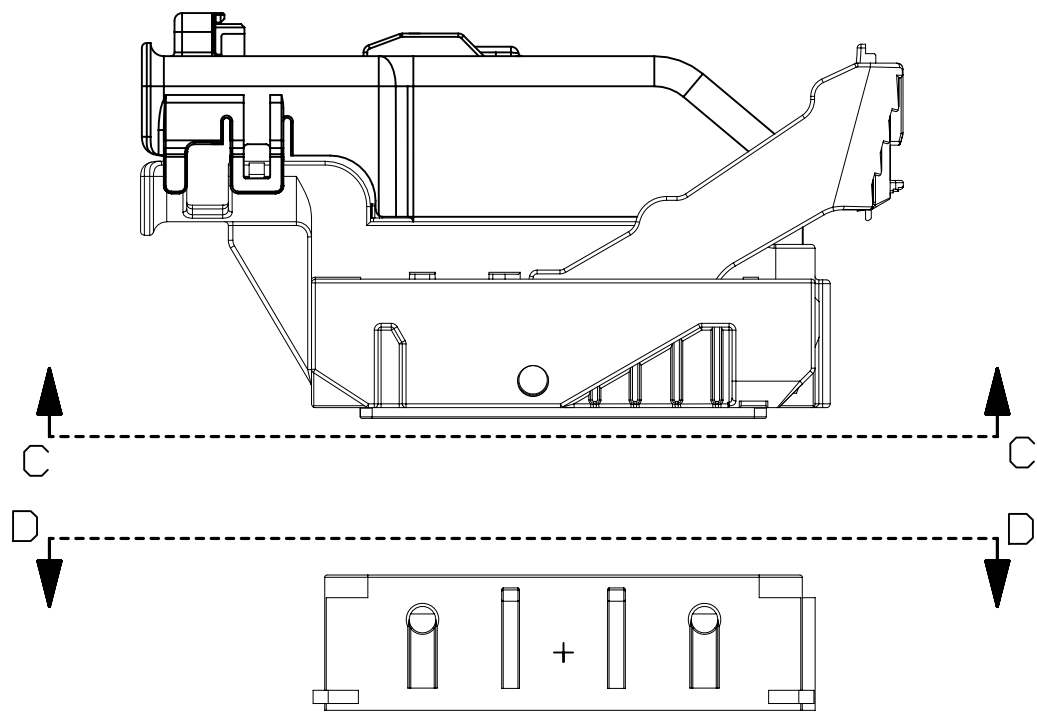


PAGE TITLE
KEY ID REF - WIRE DRESS OPTION 0

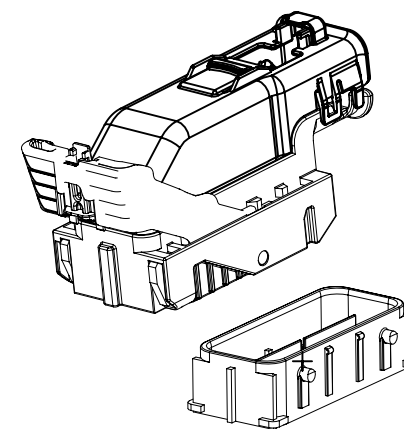
DRAWING NUMBER
12642695

DWG STATUS		
ST	REV	PD1
R	002	

PAGE NUMBER
11 OF 21

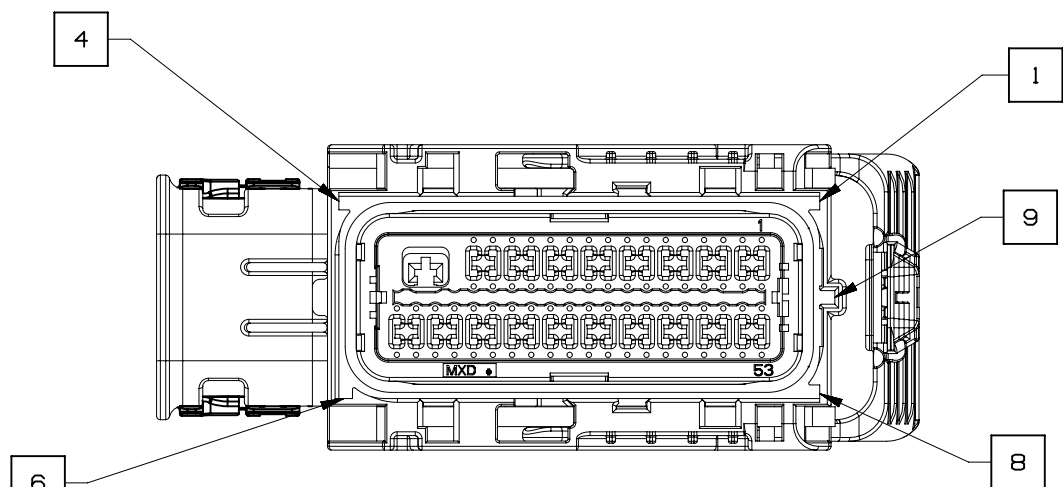


INTERFACE SIDE SHOWN ON ALL SECTION VIEWS

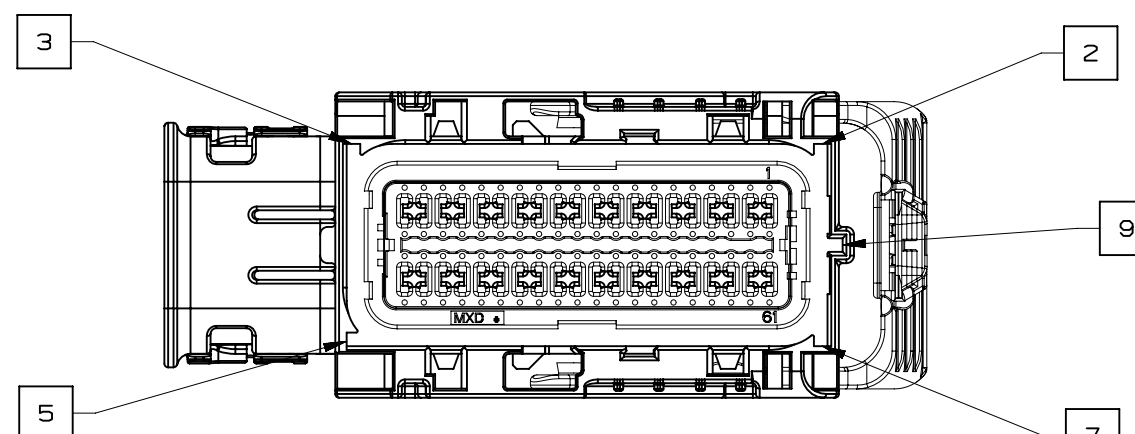


NOTE: REFERENCE THE COMPONENT TABLE FOR KEY OPTIONS AND CONFIGURATIONS

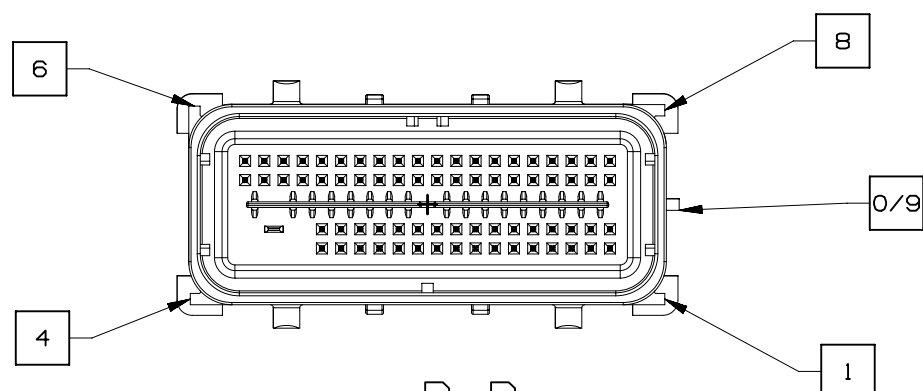
VIEW V



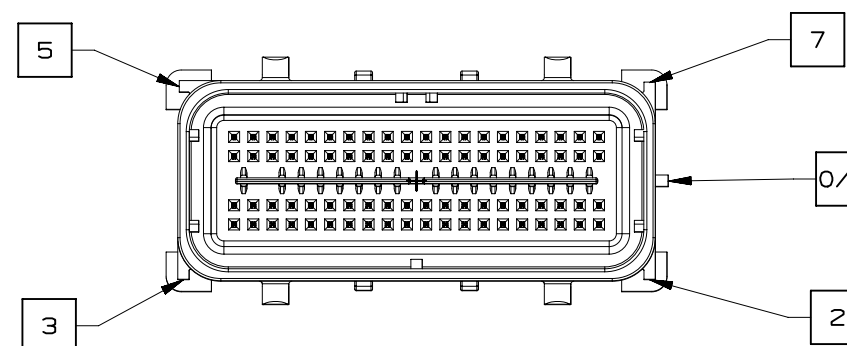
SECTION C-C
KEY OPTION B SHOWN



SECTION C-C
KEY OPTION K SHOWN



SECTION D-D
KEY OPTION B SHOWN



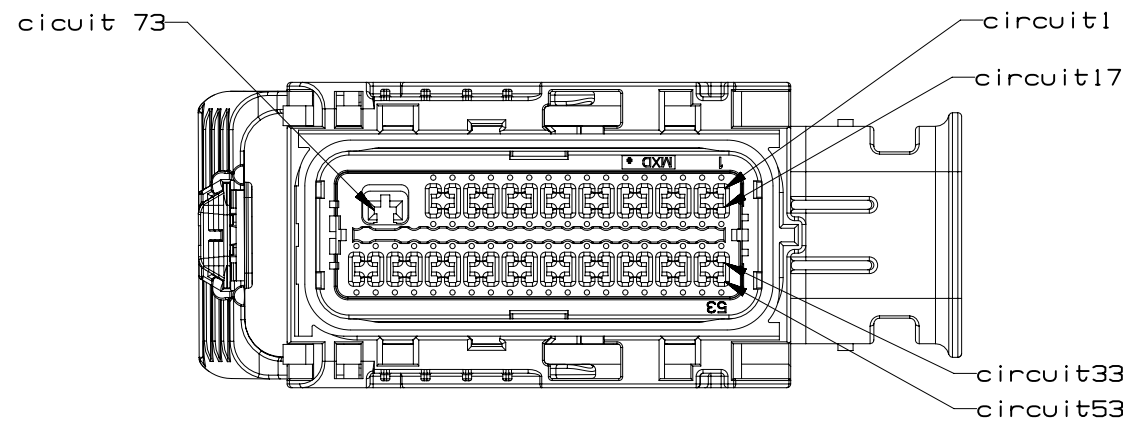
SECTION D-D
KEY OPTION K SHOWN



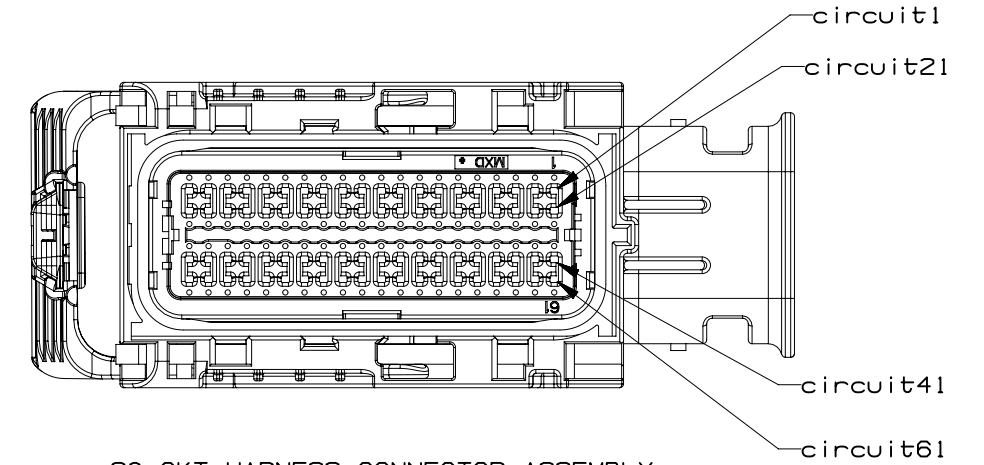
PAGE TITLE
KEY ID REF - WIRE DRESS OPTION 9

DRAWING NUMBER
12642695

DWG STATUS			PAGE NUMBER
ST	REV	PD1	
R	002		12 OF 21

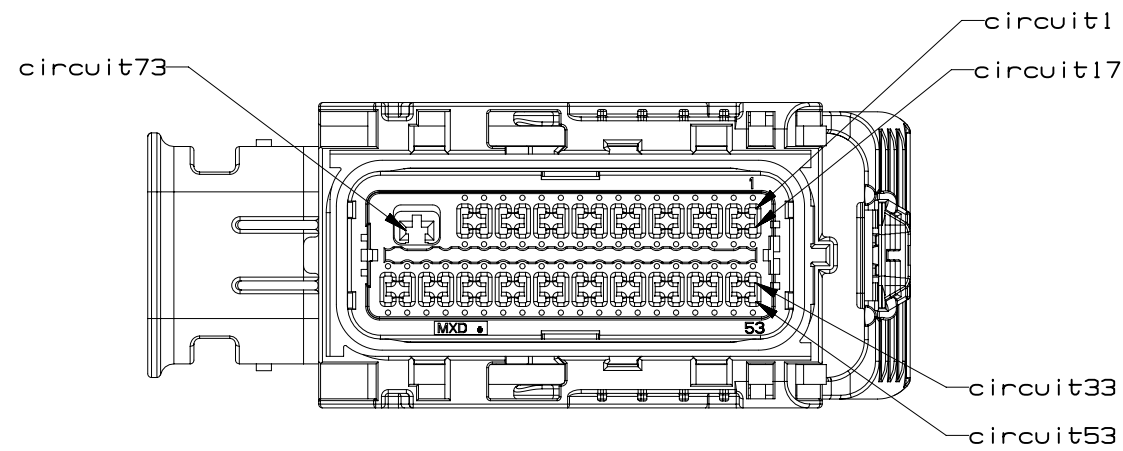


73 CKT HARNESS CONNECTOR ASSEMBLY
WIRE DRESS OPTION 0

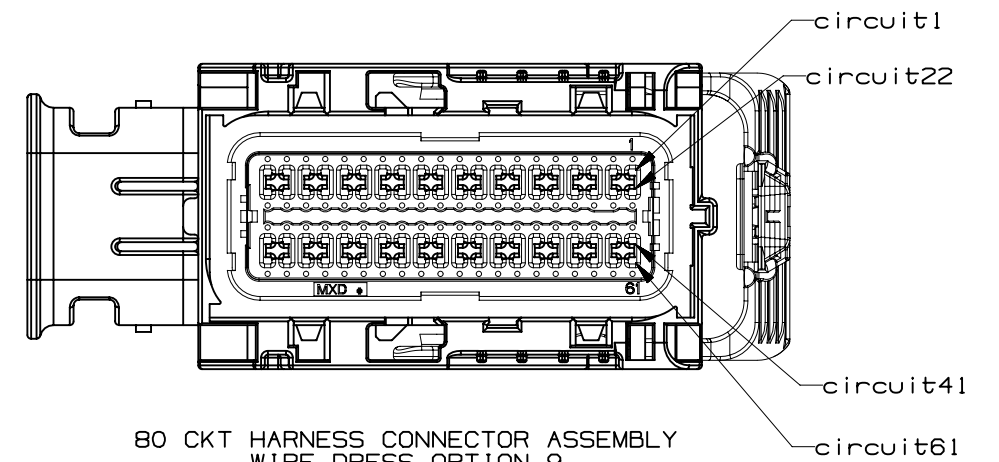


80 CKT HARNESS CONNECTOR ASSEMBLY
WIRE DRESS OPTION 0

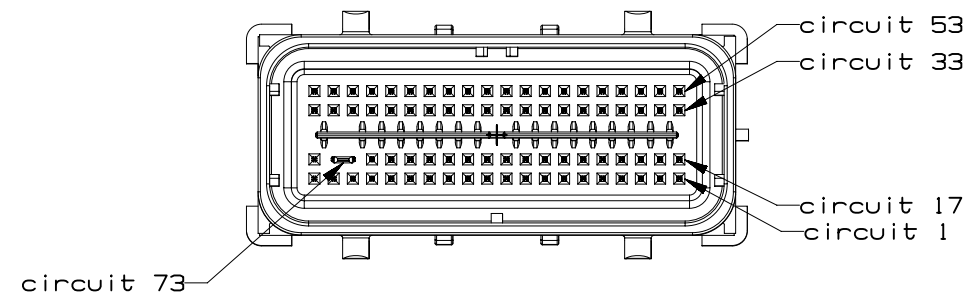
INTERFACE SIDE SHOWN ON ALL VIEWS



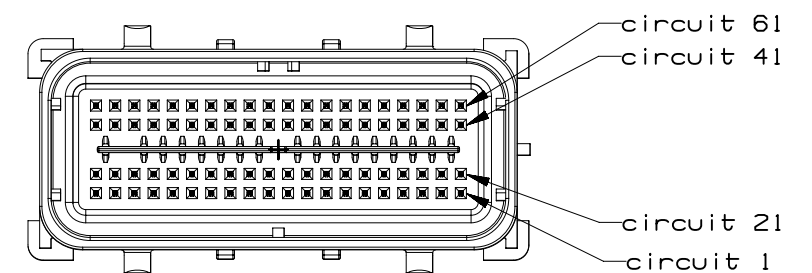
73 CKT HARNESS CONNECTOR ASSEMBLY
WIRE DRESS OPTION 9



80 CKT HARNESS CONNECTOR ASSEMBLY
WIRE DRESS OPTION 9

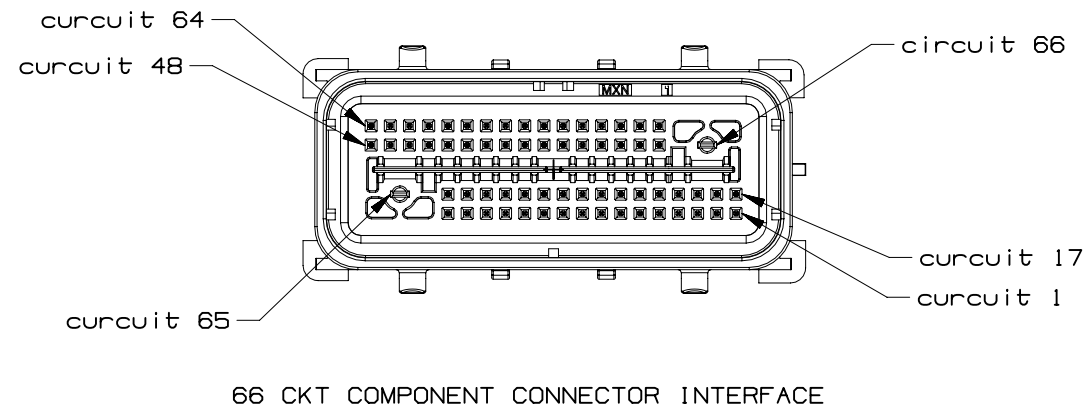
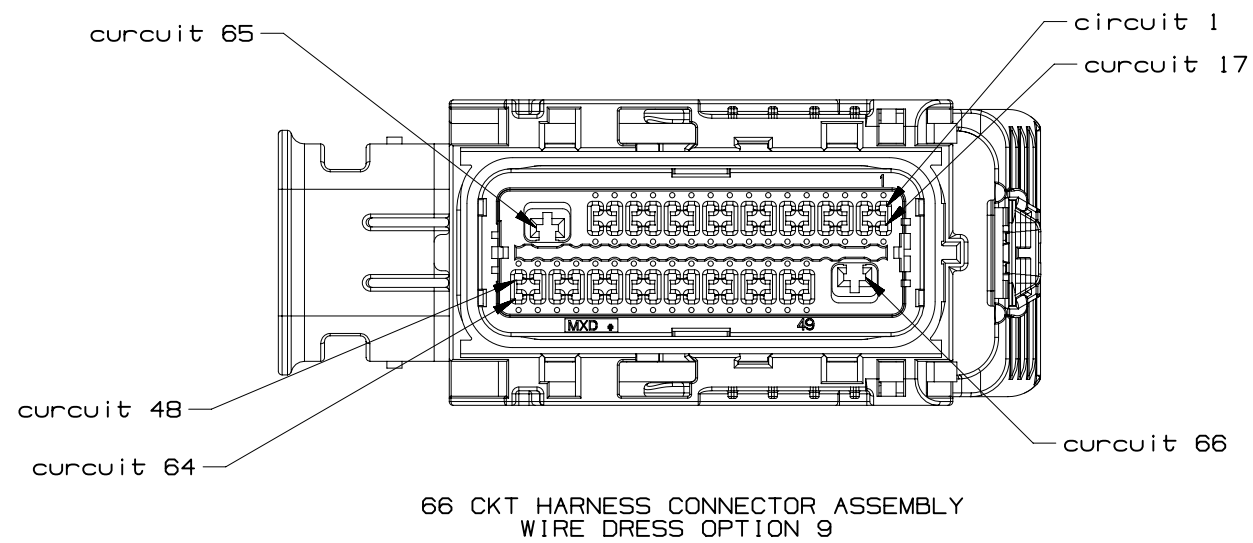
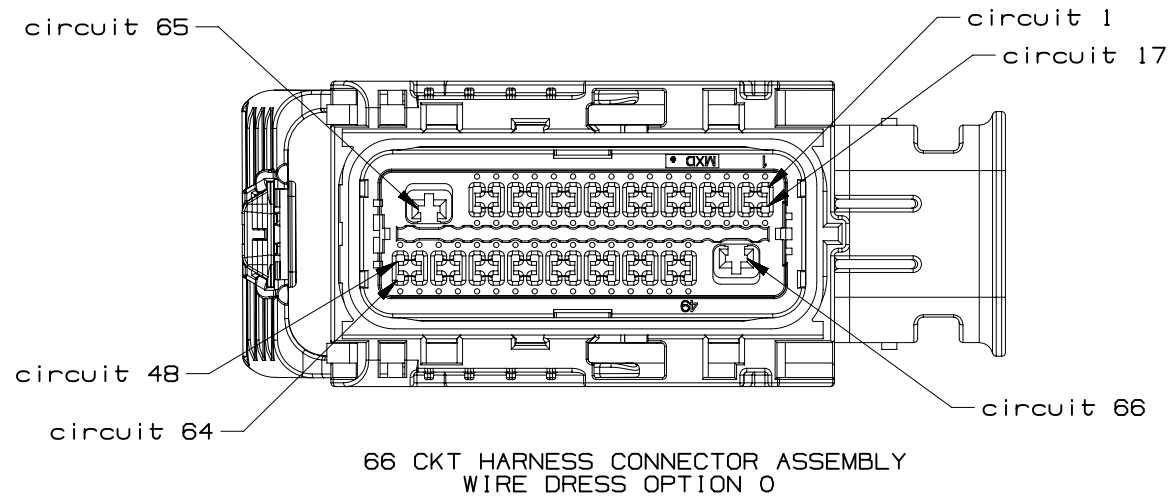


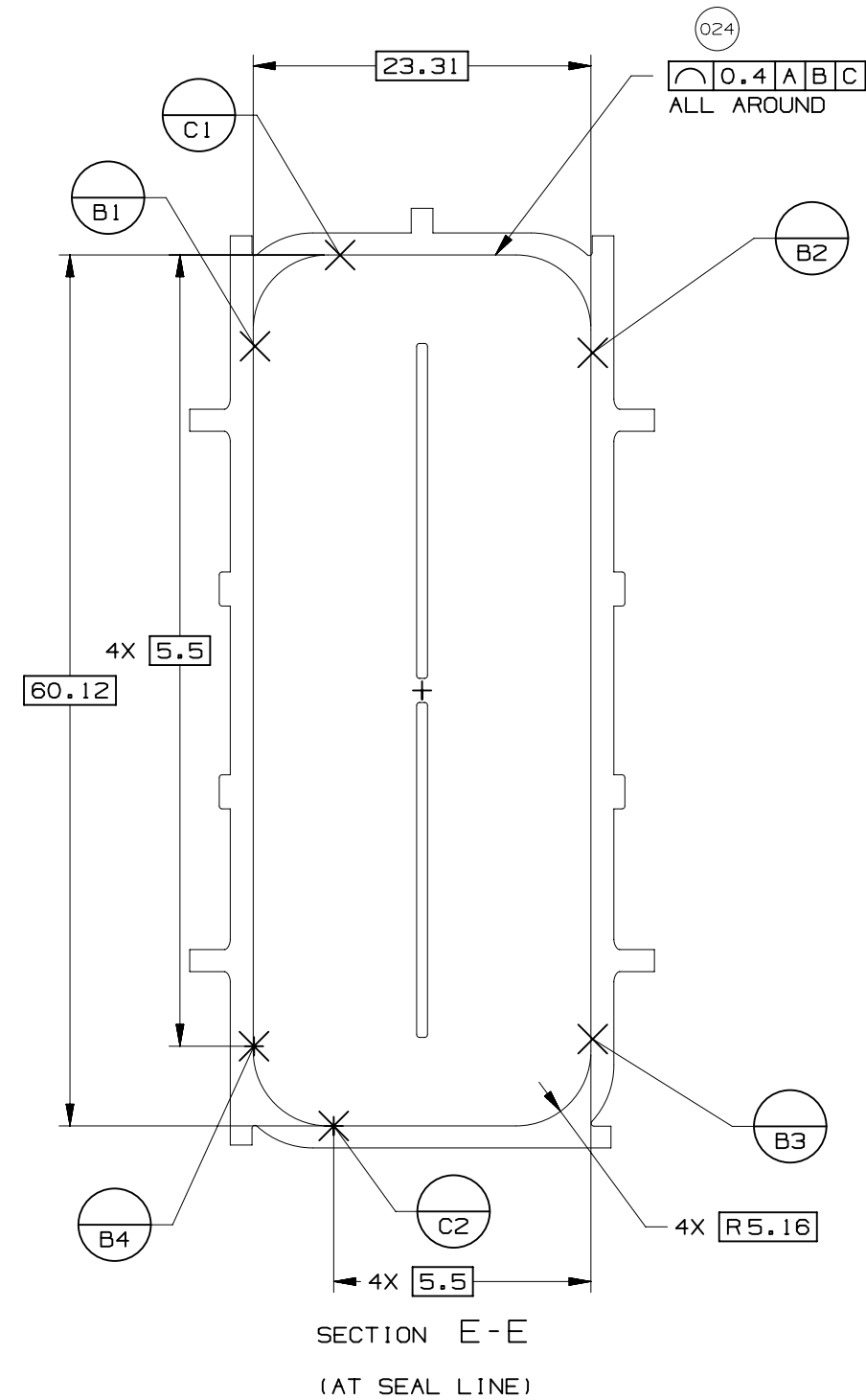
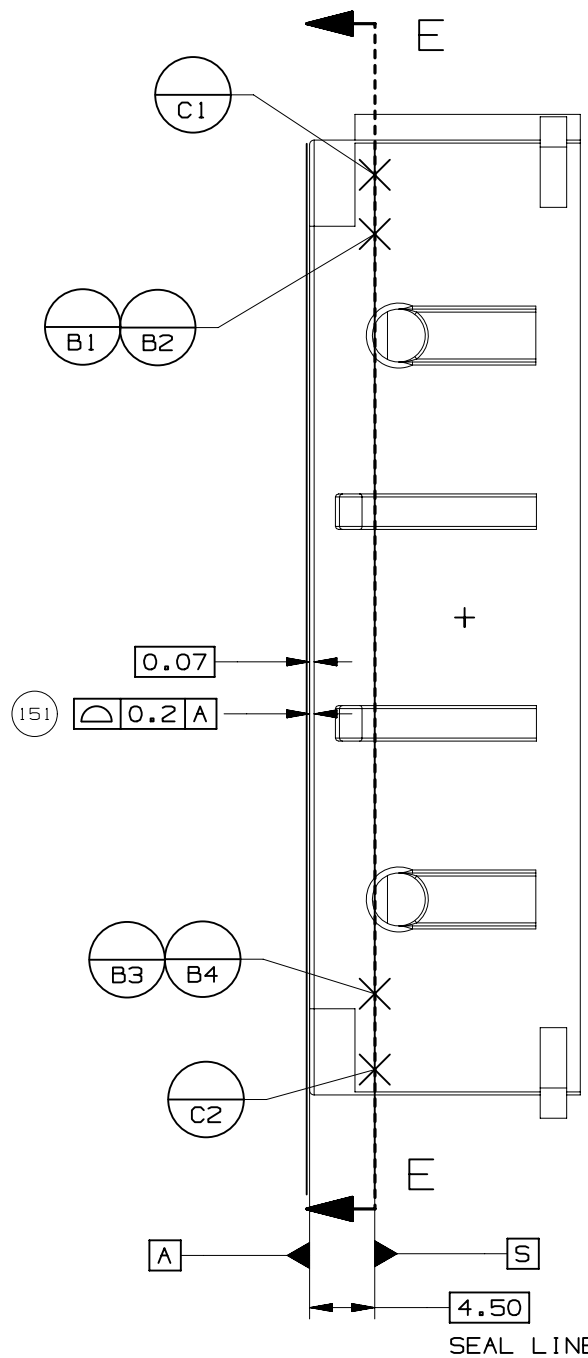
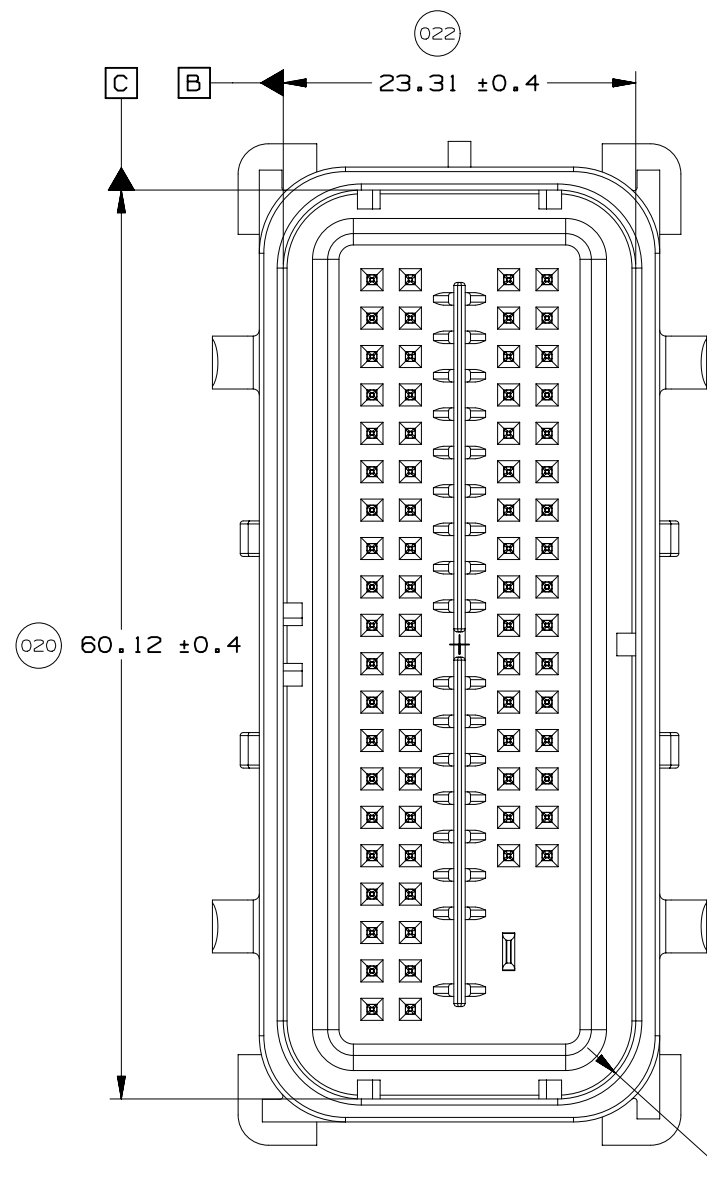
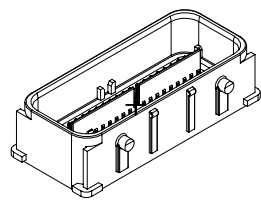
73 CKT COMPONENT CONNECTOR INTERFACE



80 CKT COMPONENT CONNECTOR INTERFACE







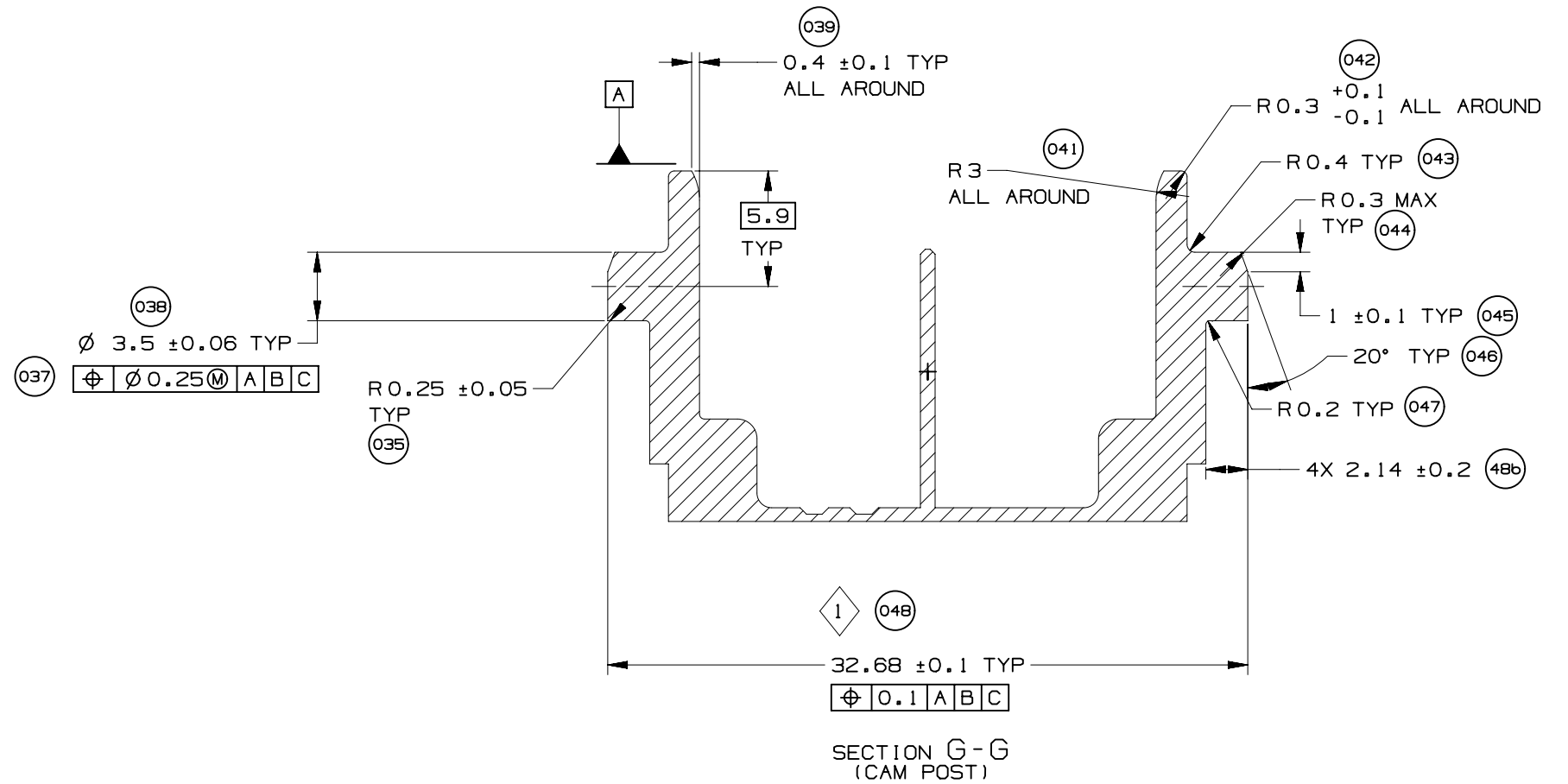
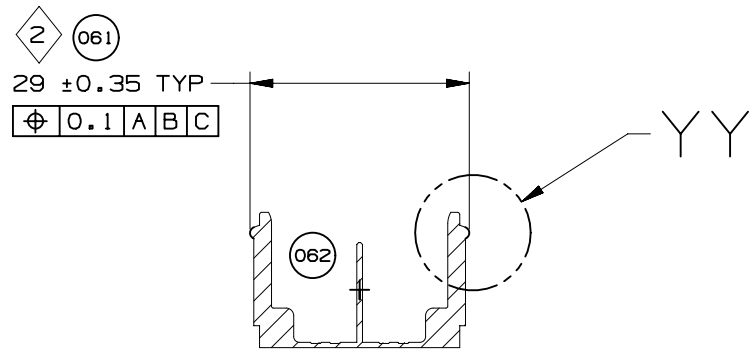
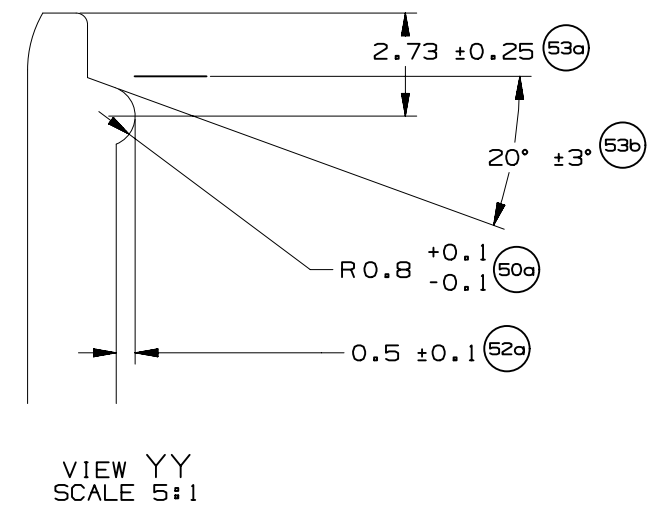
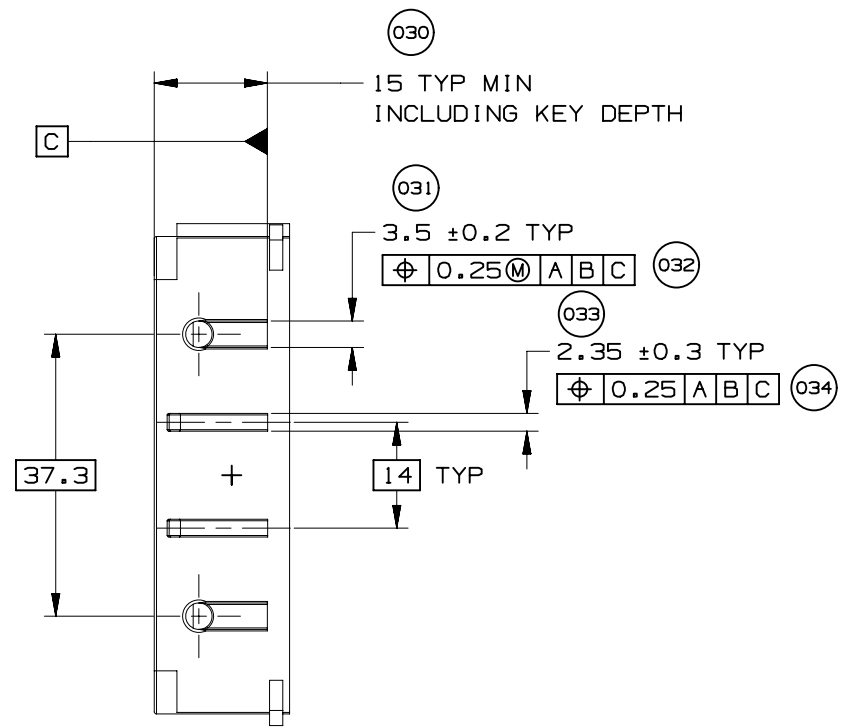
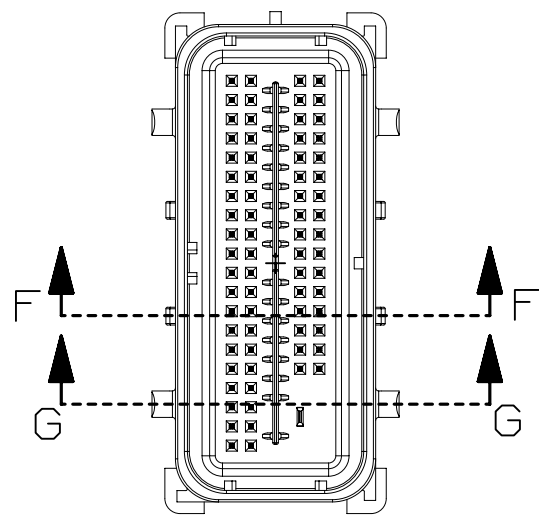
UNLESS SPECIFIED, TOLERANCE OF THE COMPONENT CONNECTOR INTERFACE TO BE $\sqrt[0.13]{A B C}$



PAGE TITLE
COMPONENT CONNECTOR INTERFACE

DRAWING NUMBER
12642695

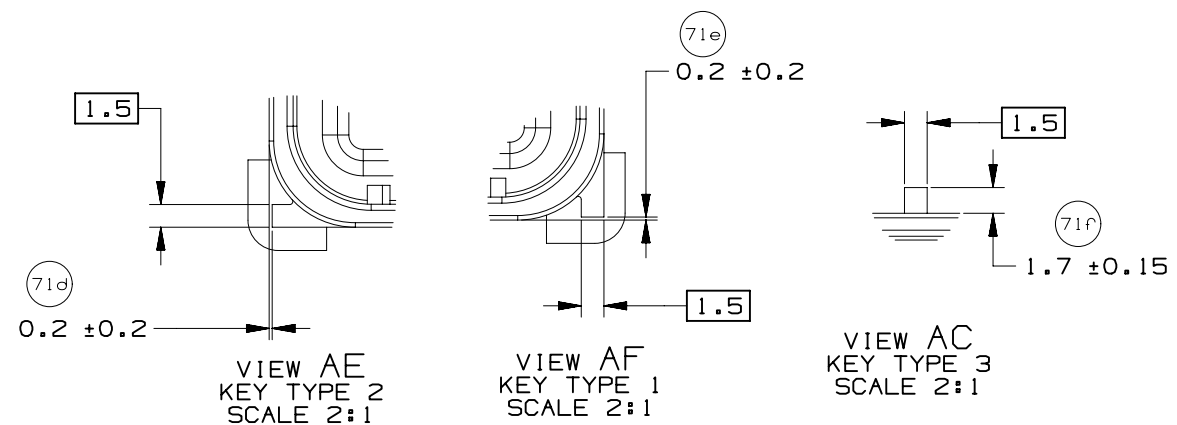
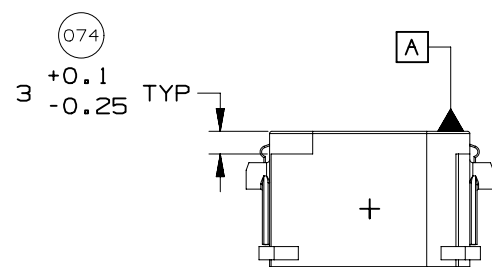
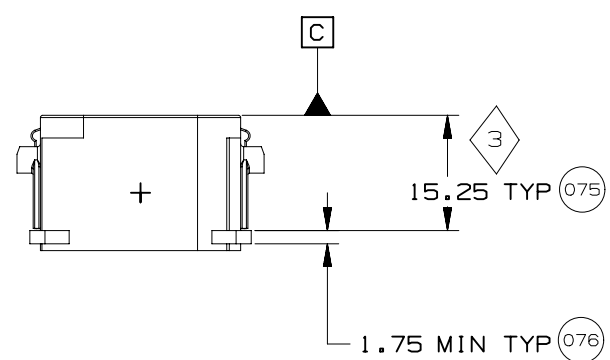
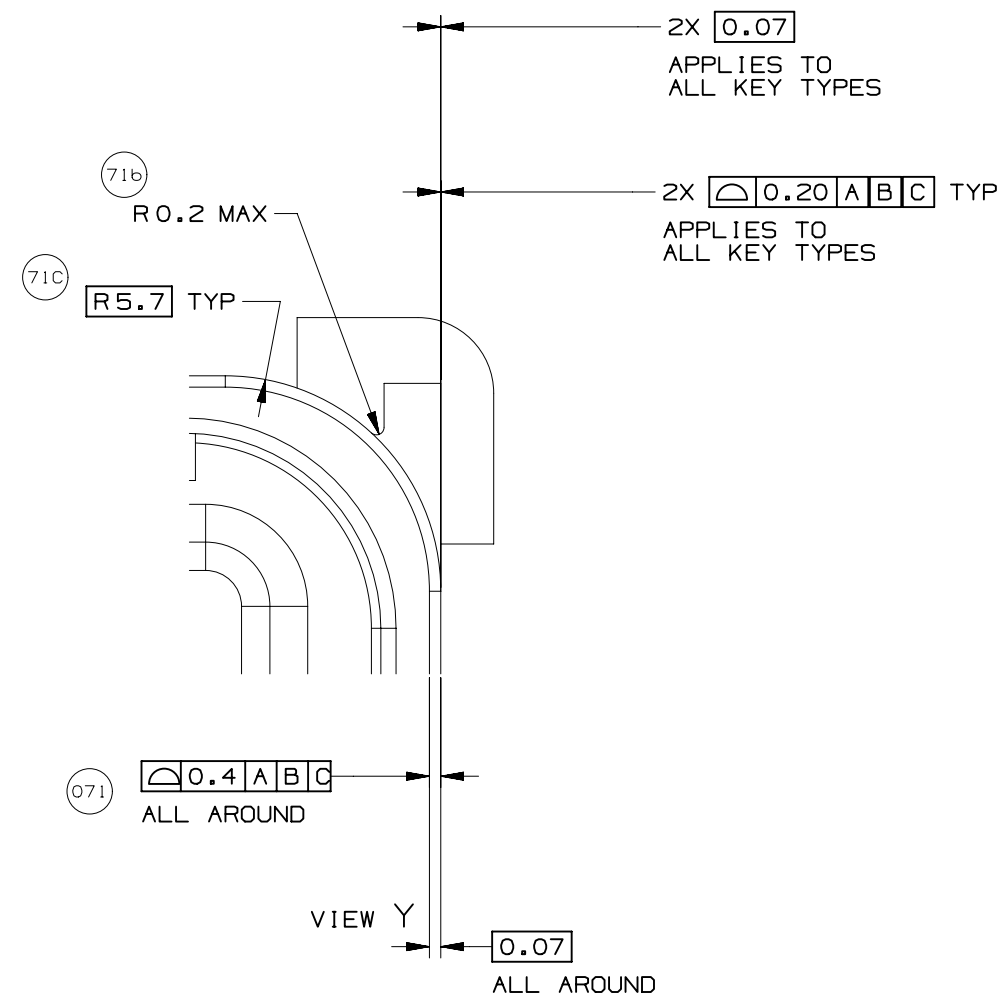
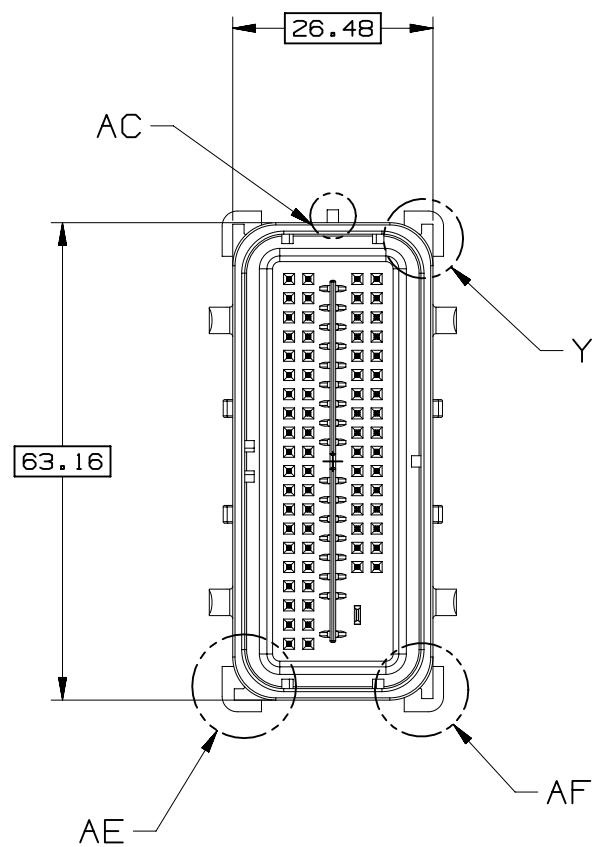
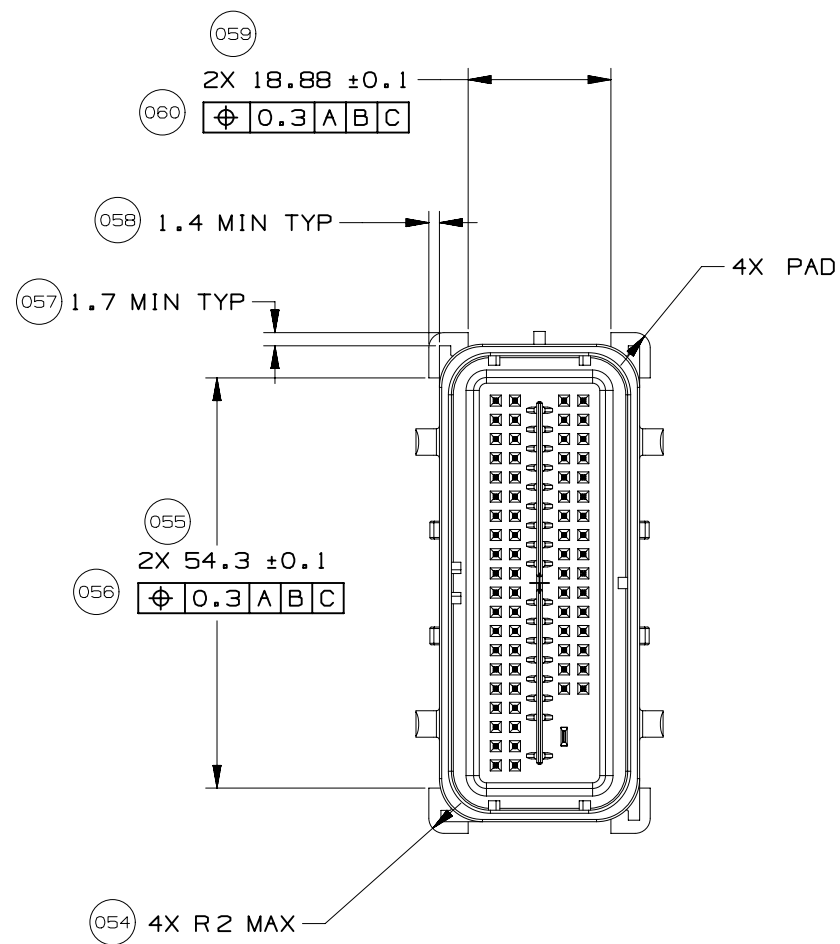
DWG STATUS			PAGE NUMBER
ST	REV	PD1	
R	002		15 OF 21



PAGE TITLE
COMPONENT CONNECTOR INTERFACE

DRAWING NUMBER
12642695

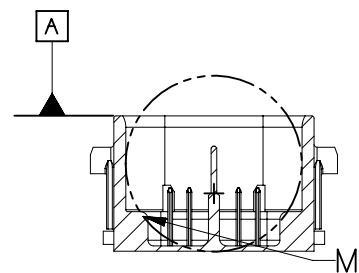
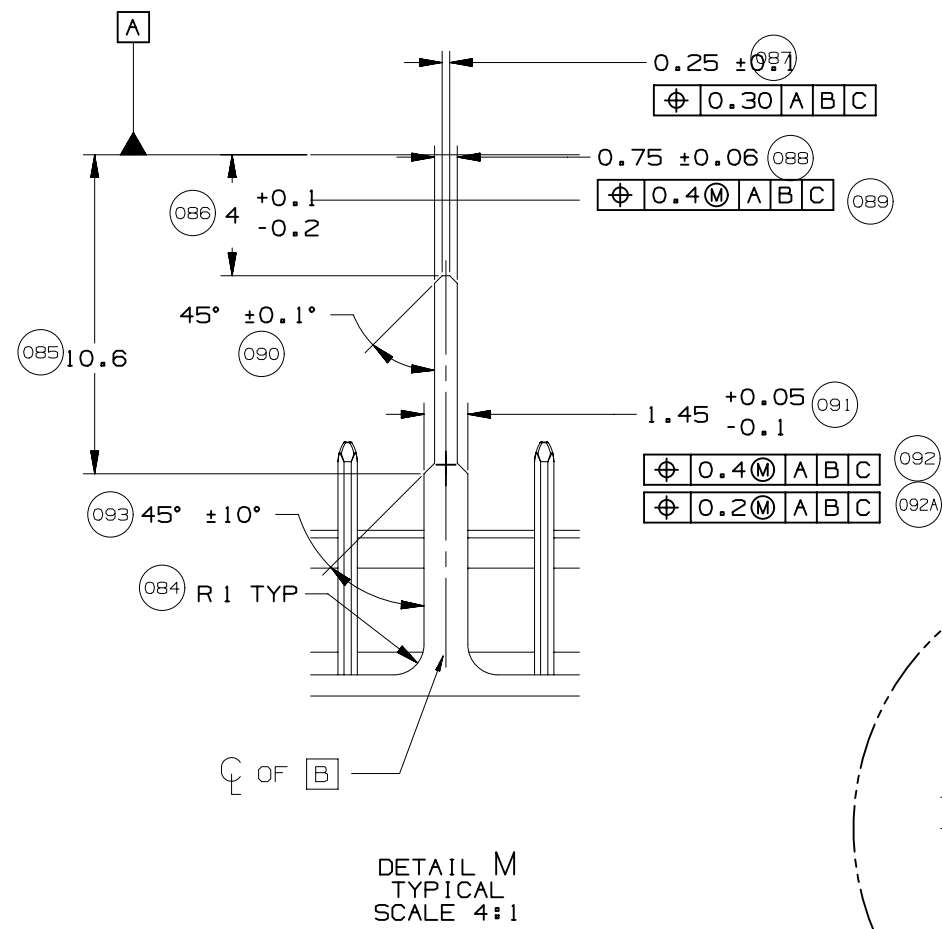
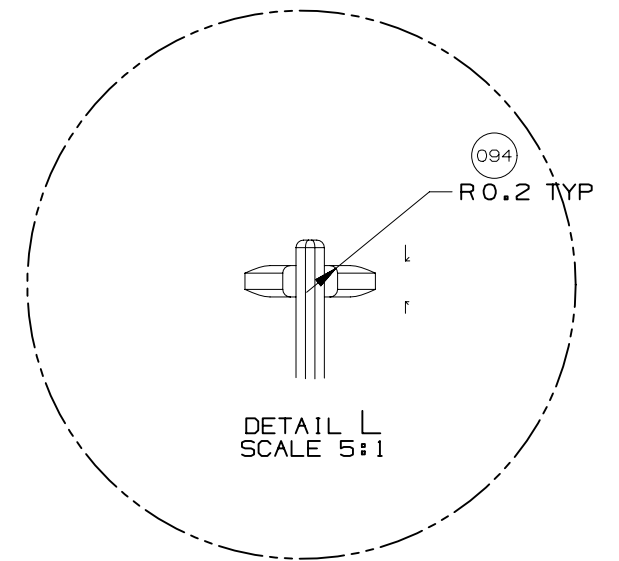
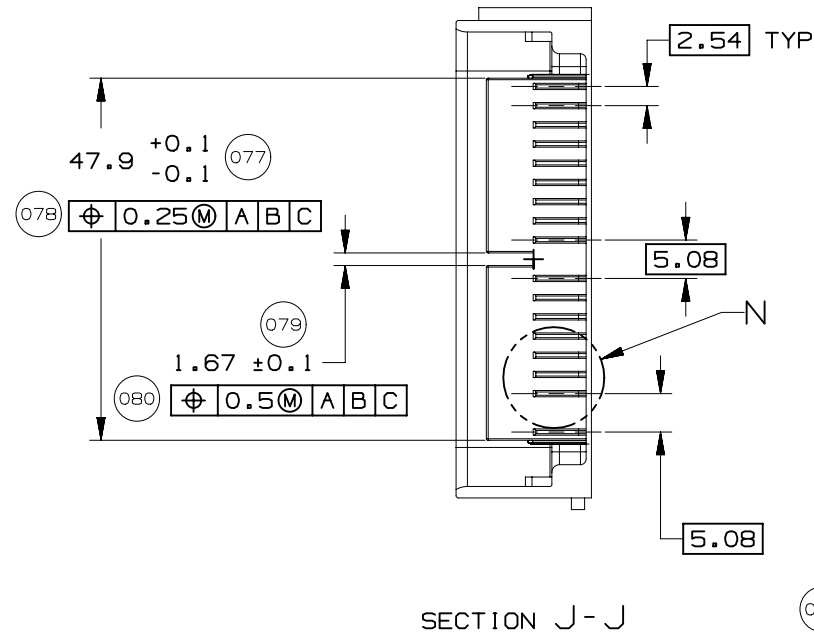
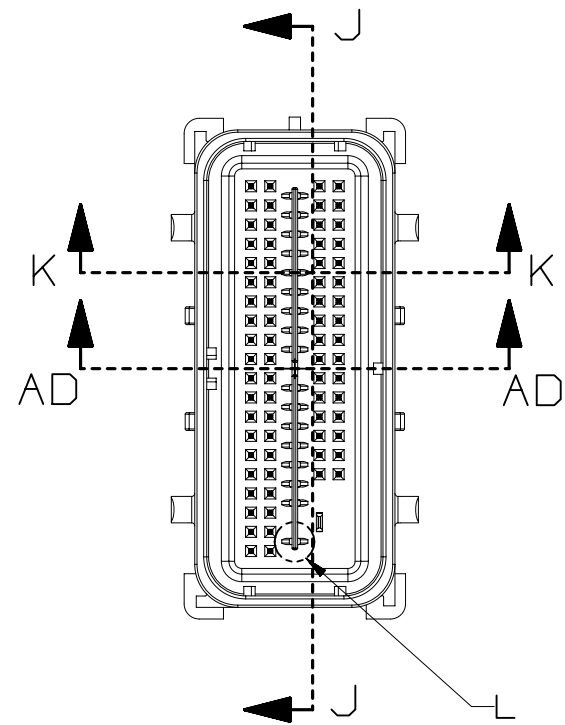
DWG STATUS			PAGE NUMBER
ST	REV	PDI	
R	002		16 OF 21



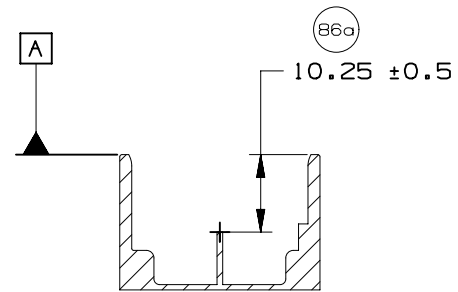
PAGE TITLE
 COMPONENT CONNECTOR INTERFACE

DRAWING NUMBER
 12642695

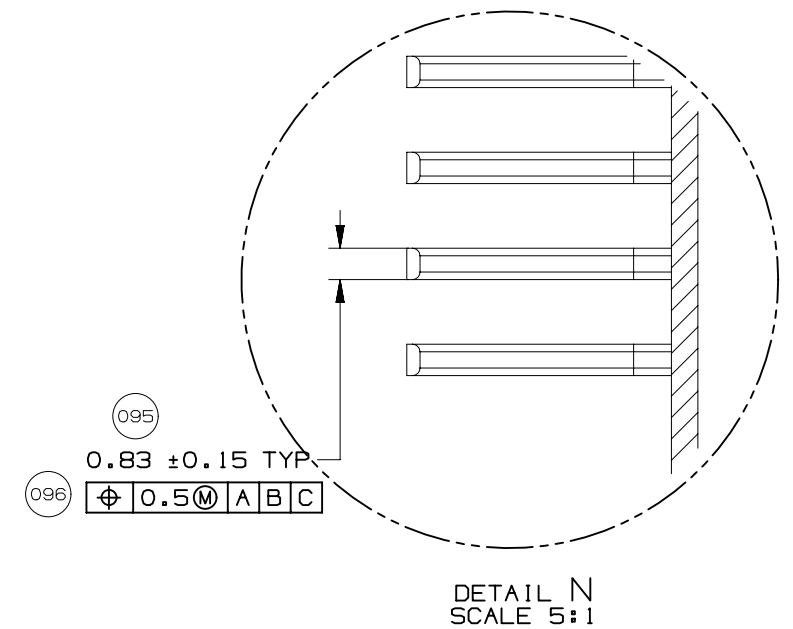
DWG STATUS			PAGE NUMBER	
ST	REV	PD1		
R	002		17	OF 21



SECTION K-K



SECTION AD-AD

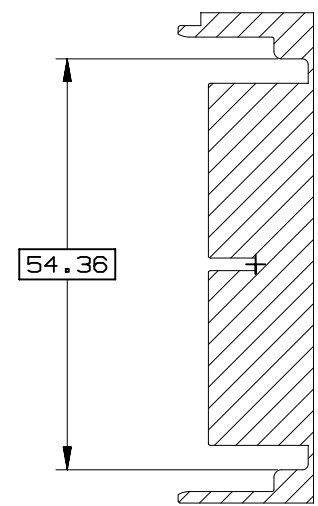
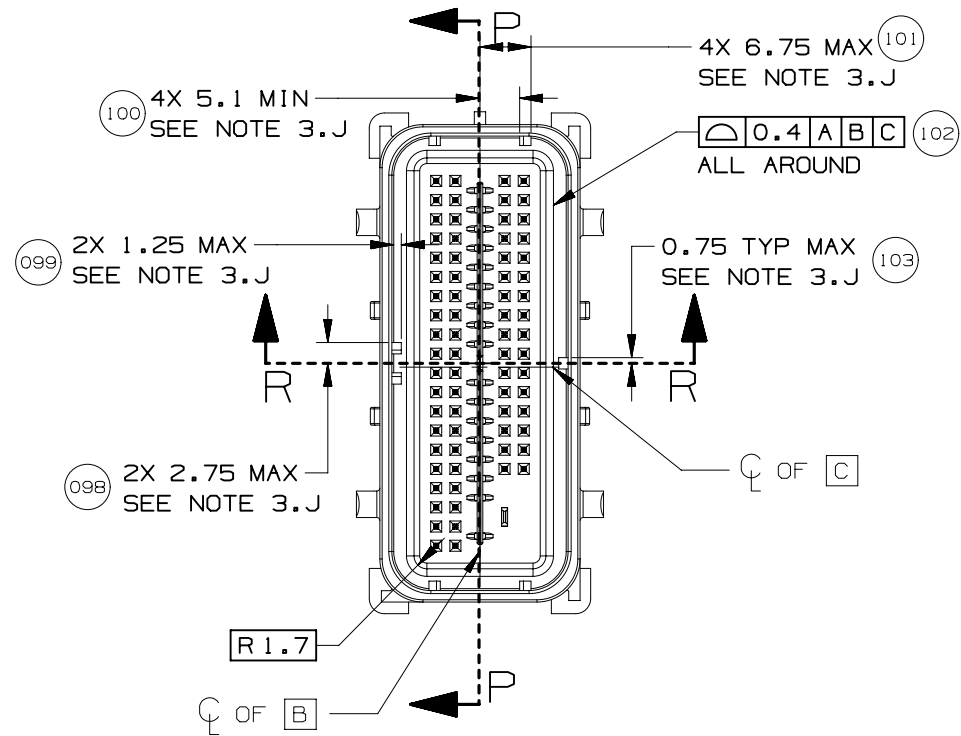


PAGE TITLE
COMPONENT CONNECTOR INTERFACE

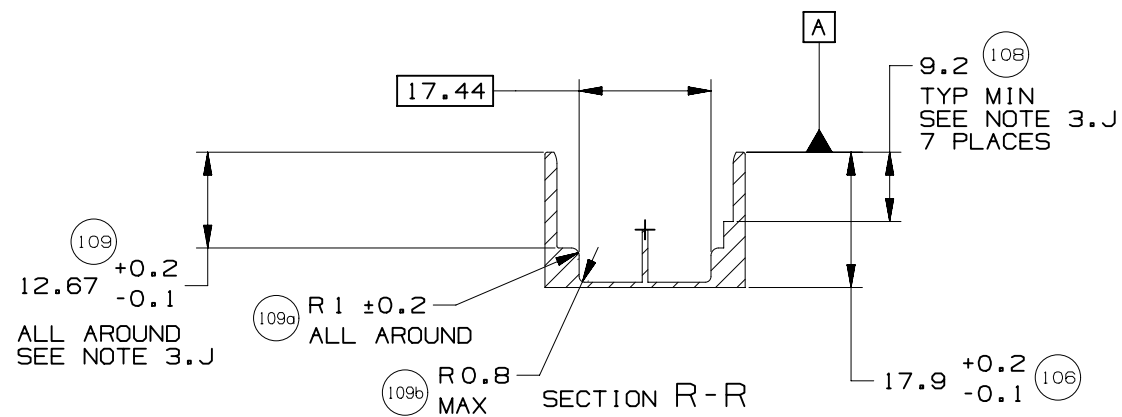
DRAWING NUMBER
12642695

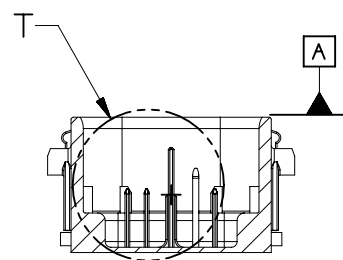
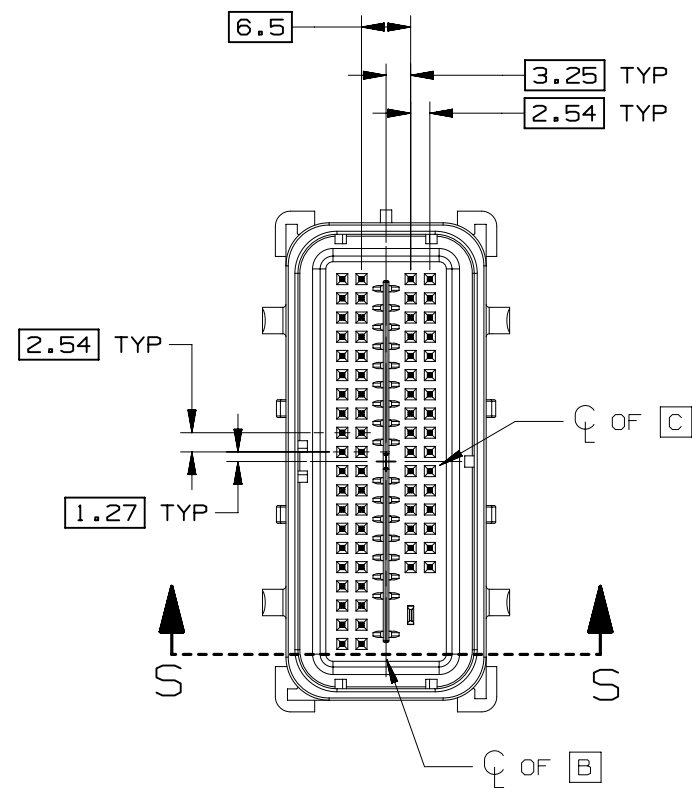
DWG STATUS		
ST	REV	PD1
R	002	

PAGE NUMBER
18 OF 21

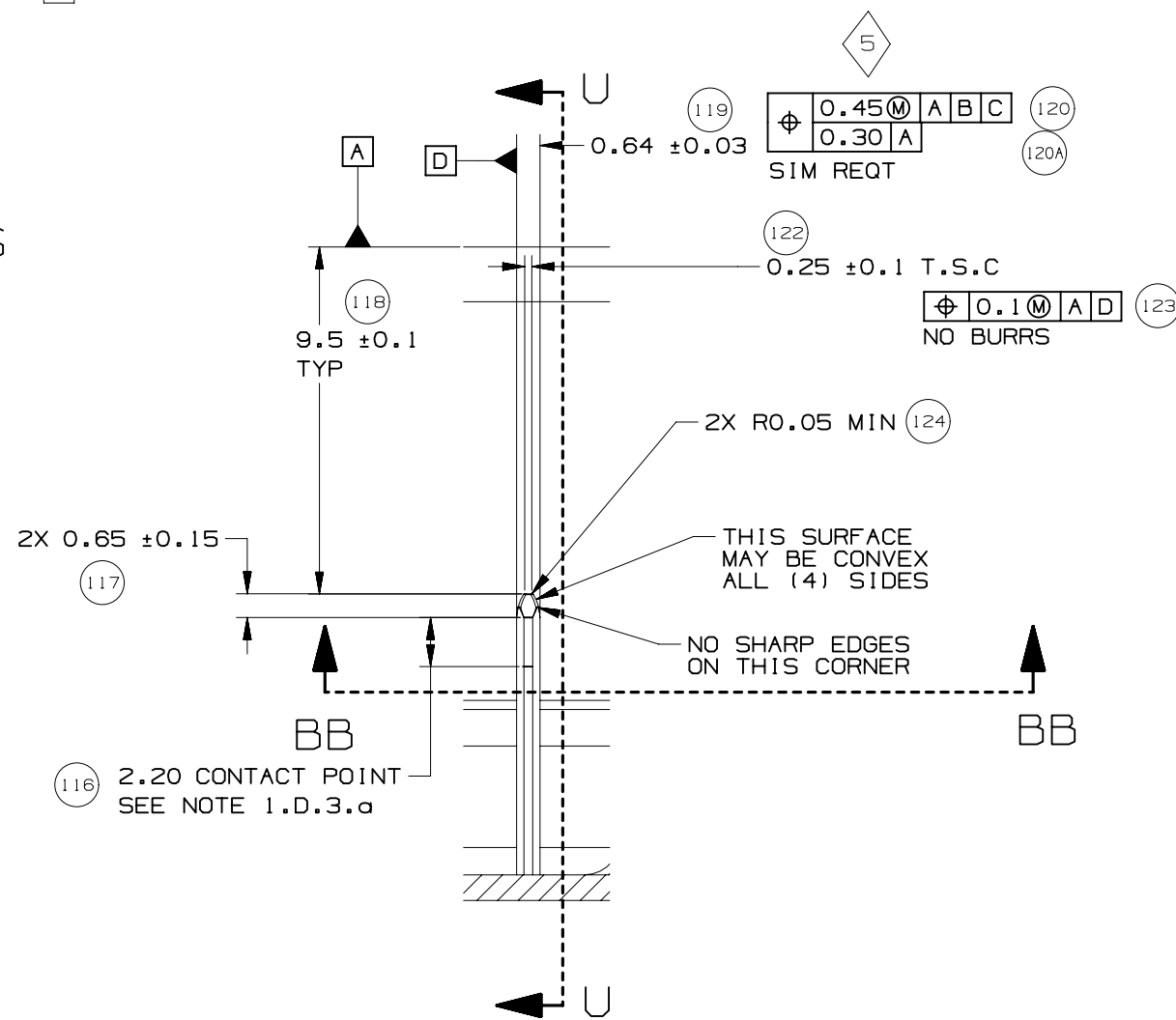


SECTION P-P

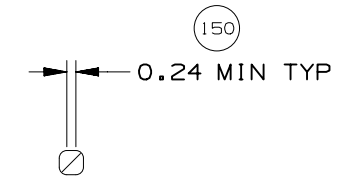




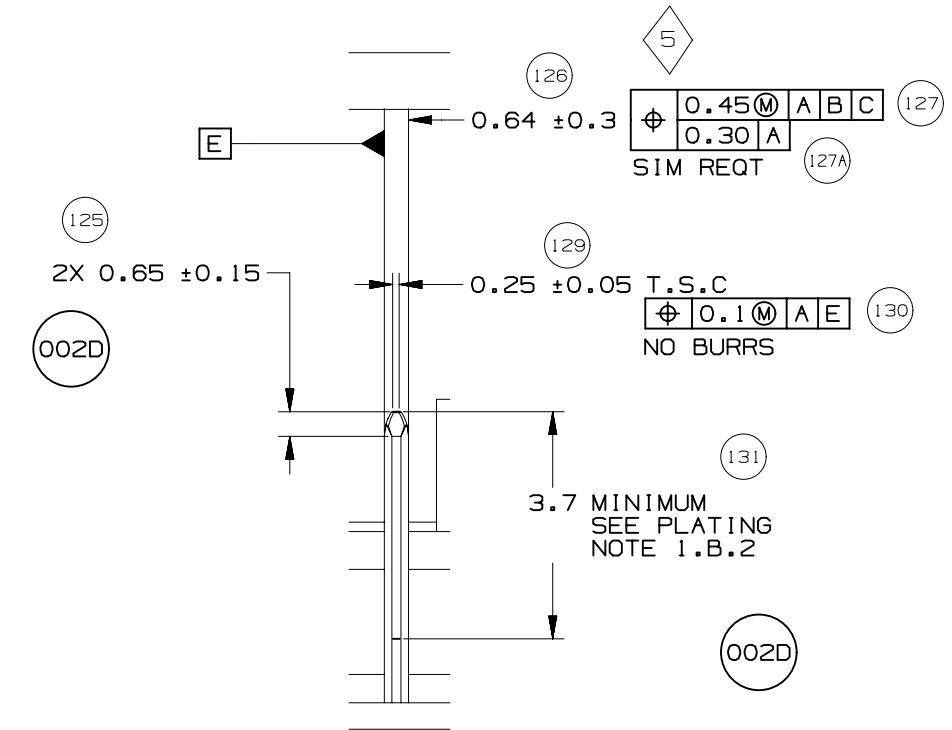
SECTION S-S



DETAIL T
TYPICAL
SCALE 5:1

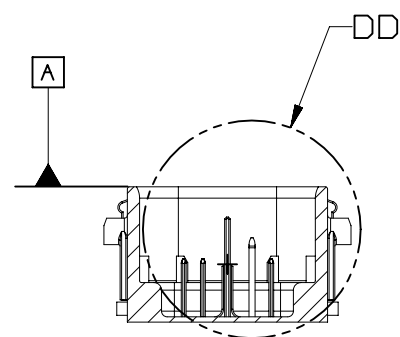
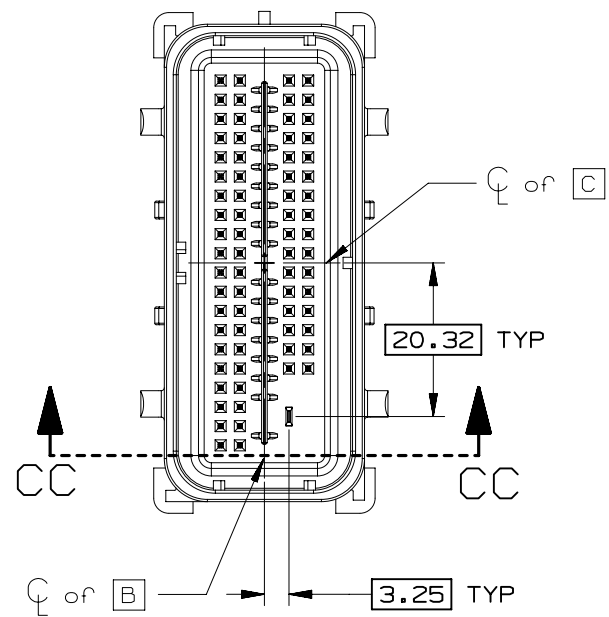


SECTION BB-BB

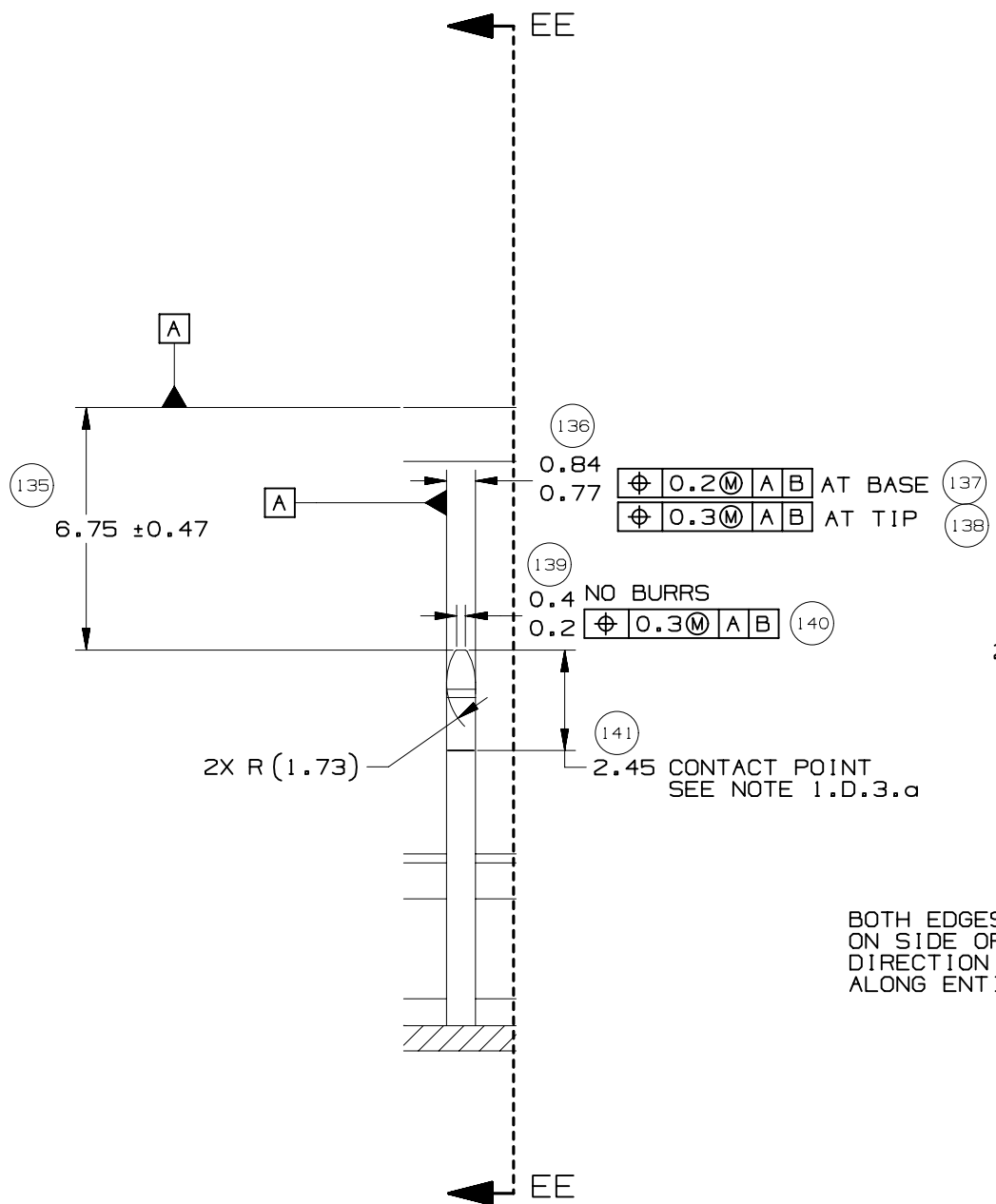


SECTION U-U

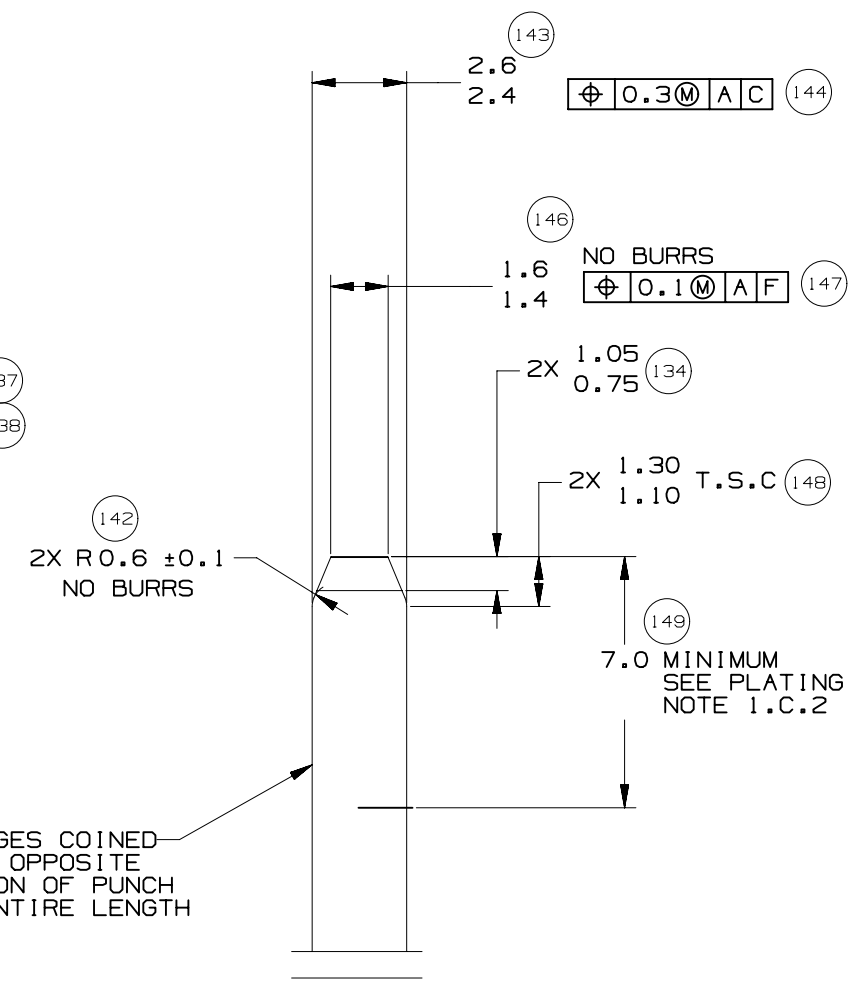




SECTION CC-CC



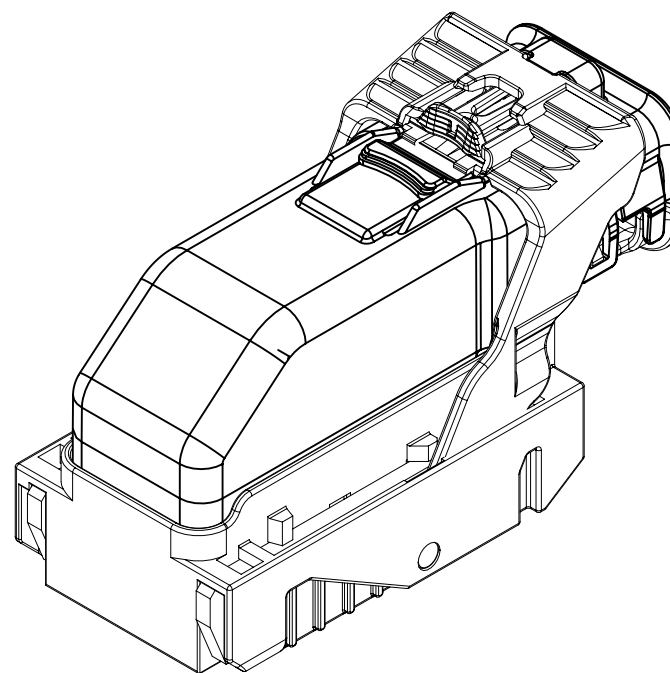
DETAIL DD
TYPICAL
SCALE 5:1




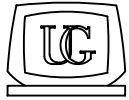
SECTION EE-EE
TYPICAL

BOTH EDGES COINED
ON SIDE OPPOSITE
DIRECTION OF PUNCH
ALONG ENTIRE LENGTH

INDEX	
PAGE TITLE	PAGE
TITLE BLOCK	1
REVISION BLOCK	2
PART BLOCK	3
KPC BLOCK	4
COMPONENT TABLE	5
NOTES	6
NOTES	7
WIRE DRESS PACKAGING DIMENSIONS	8
LOCATION AND PACKAGING DIMENSIONS REFERENCING INTERFACE DATUMS B & C	9
LOCATION AND PACKAGING DIMENSIONS REFERENCING INTERFACE DATUM A	10
KEY ID REF - WIRE DRESS OPTION 0	11
KEY ID REF - WIRE DRESS OPTION 9	12
CIRCUIT CONFIGURATIONS	13
CIRCUIT CONFIGURATIONS	14
COMPONENT CONNECTOR INTERFACE	15
COMPONENT CONNECTOR INTERFACE	16
COMPONENT CONNECTOR INTERFACE	17
COMPONENT CONNECTOR INTERFACE	18
COMPONENT CONNECTOR INTERFACE	19
COMPONENT CONNECTOR INTERFACE	20
COMPONENT CONNECTOR INTERFACE	21
ADDITIONAL COMPONENTS REQUIRED	22




ISO VIEW

	<p>UNLESS OTHERWISE SPECIFIED: THIS DOCUMENT IS IN ACCORDANCE WITH ASME Y14.5M-1994 AS AMMENDED BY THE GM GLOBAL DIMENSIONING AND TOLERANCING ADDENDUM-1997. ALL GEOMETRIC TOLERANCES AND RELATED DATUMS APPLY RFS. RULE #1 (PERFECT FORM AT MMC) DOES NOT APPLY WHEN A RELATIONSHIP BETWEEN FEATURES IS ESTABLISHED BY ORIENTATION OR LOCATION TOLERANCES. SEPARATE POSITION CALLOUTS MAY BE GAGED SEPARATELY REGARDLESS OF DATUM REFERENCES.</p>			DATE			
	 CHANGE RESTRICTED NO MANUAL CHANGES	REFERENCE 12H (MOLEX AUTOMOTIVE)	DRAFTER APVD1 APVD2 APVD3 APVD4 APVD5	05JN15			
DO NOT SCALE		DRAWING NAME HARNESS CONN ASM-SEALED 52/66/73/80 CKTS, MX123					
METRIC DIMENSIONS SHOWN IN MILLIMETERS UNLESS OTHERWISE SPECIFIED							
		DRAWING NUMBER		DWG STATUS		PAGE NUMBER	
		12672833		ST	REV	PDI	1 OF 22
		R	001				

PAGE	DWG STATUS					REVISION HISTORY	AUTH	DR	CK	ENG
	DATE	ST	REV	CHG	PDI					
	05JN15	R	001			RELEASED TO PRODUCTION AT DLS A	CRMRJE	DFK		

PAGE	DWG STATUS					REVISION HISTORY	AUTH	DR	CK	ENG
	DATE	ST	REV	CHG	PDI					

	PAGE TITLE	DRAWING NUMBER	DWG STATUS			PAGE NUMBER		
	REVISION BLOCK			12672833	ST		REV	PDI
				R	001			2 OF 22

KEY PRODUCT CHARACTERISTICS
(IN ACCORDANCE WITH QN 1805 OR ON 1050)



SAFETY/COMPLIANCE

TOTAL ON
DRAWING

4



FIT/FUNCTION

LAST NO.
USED

4

NO	TYPE	DESCRIPTION	RATIONALE	PAGE/ZONE
1	F/F	32.68	IMPROVE CONNECTOR SYSTEM MATING	16
2	F/F	29.00	INSURE PROPER RELEASE OF LEVER	16
3	F/F	15.25	INSURE FINAL MATE POSITION	17
4	F/F	POSITIONAL TOLERANCE (2 PLACES)	INSURE CONNECTOR SYSTEM MATEABILITY	20



PAGE TITLE
KPC BLOCK

DRAWING NUMBER

12672833

DWG STATUS

ST	REV	PDI
----	-----	-----

R	001	
---	-----	--

PAGE NUMBER

4 OF 22

LINE	MFG.	MFG. P/N	GM P/N	EFFECTIVE DATE	APPLICABLE COMPONENTS	KEY OPTION	WIRE DRESS OPTION	KEY CONFIG.	COLOR	STATUS
					DESCRIPTION					
-										
1	MOLEX	34565-0003	12582676	02JN03	MX123 DRESS COVER 52/66/73/80 CKT	N/A	N/A	N/A	BLACK	AVAILABLE
2	MOLEX	160094-0001	12672852	01SP13	MX123 HRNS CONN ASSY 52 CKT	A	0	1458	BLACK	AVAILABLE
3	MOLEX	160094-0003	12672854	01SP13	MX123 HRNS CONN ASSY 52 CKT	C	0	2467	BLUE	AVAILABLE
4	MOLEX	160094-0013	12672853	01SP13	MX123 HRNS CONN ASSY 52 CKT	A	9	1458	BLACK	AVAILABLE
5	MOLEX	160094-0015	12672855	01SP13	MX123 HRNS CONN ASSY 52 CKT	C	9	2467	BLUE	AVAILABLE
6	MOLEX	34822-0013	12672856	01SP13	MX123 HRNS CONN ASSY 66 CKT	A	0	1458	BLACK	AVAILABLE
7	MOLEX	34822-0033	12672858	01SP13	MX123 HRNS CONN ASSY 66 CKT	C	0	2467	BLUE	AVAILABLE
8	MOLEX	34822-0023	12672857	01SP13	MX123 HRNS CONN ASSY 66 CKT	A	9	1458	BLACK	AVAILABLE
9	MOLEX	34822-0043	12672859	01SP13	MX123 HRNS CONN ASSY 66 CKT	C	9	2467	BLUE	AVAILABLE
10	MOLEX	34566-0103	12672860	11JN04	MX123 HRNS CONN ASSY 73 CKT	A	0	1458	BLACK	AVAILABLE
11	MOLEX	34566-0203	12672862	11JN04	MX123 HRNS CONN ASSY 73 CKT	B	0	1468	ST GRAY	AVAILABLE
12	MOLEX	34566-0303	12672864	09AP08	MX123 HRNS CONN ASSY 73 CKT	C	0	2467	BLUE	AVAILABLE
13	MOLEX	34566-0603	12672866	05DC14	MX123 HRNS CONN ASSY 73 CKT	F	0	1357	NATURAL	AVAILABLE
14	MOLEX	34566-1303	12672861	11JN04	MX123 HRNS CONN ASSY 73 CKT	A	9	1458	BLACK	AVAILABLE
15	MOLEX	34566-1403	12672863	11JN04	MX123 HRNS CONN ASSY 73 CKT	B	9	1468	ST GRAY	AVAILABLE
16	MOLEX	34566-1503	12672865	09AP08	MX123 HRNS CONN ASSY 73 CKT	C	9	2467	BLUE	AVAILABLE
17	MOLEX	34566-1803	12672867	05DC14	MX123 HRNS CONN ASSY 73 CKT	F	9	1357	NATURAL	AVAILABLE
18	MOLEX	34566-0703	12672872	09AP08	MX123 HRNS CONN ASSY 80 CKT	G	0	1358	BLUE	AVAILABLE
19	MOLEX	34566-0803	12672870	11JN04	MX123 HRNS CONN ASSY 80 CKT	H	0	2458	ST GRAY	AVAILABLE
20	MOLEX	34566-0903	12672868	T.B.D	MX123 HRNS CONN ASSY 80 CKT	J	0	2457	BLACK	NOT ACTIVE
21	MOLEX	34566-1903	12672873	09AP08	MX123 HRNS CONN ASSY 80 CKT	G	9	1358	BLUE	AVAILABLE
22	MOLEX	34566-2003	12672871	11JN04	MX123 HRNS CONN ASSY 80 CKT	H	9	2458	ST GRAY	AVAILABLE
23	MOLEX	34566-2103	12672869	T.B.D	MX123 HRNS CONN ASSY 80 CKT	J	9	2457	BLACK	NOT ACTIVE
24	MOLEX	34736-0028	12672851	01AU10	MX64 RCPT TERM Ag 0.5mm/0.75mm ISO GAGE B (RIGHT PAYOFF)	N/A	N/A	N/A	N/A	AVAILABLE
25	MOLEX	34736-0026	12672850	01AU10	MX64 RCPT TERM Ag 0.35mm ISO GAGE B (RIGHT PAYOFF)	N/A	N/A	N/A	N/A	AVAILABLE
26	MOLEX	34586-0001	12674820	11JN04	MX123 0.64mm GROMMET PLUG	N/A	N/A	N/A	NATURAL	AVAILABLE
27	YAZAKI	7116-4150-02	12588066	02JN03	2.8mm YESC SEALED FEMALE TERMINAL TIN 0.35mm2-0.50mm2	N/A	N/A	N/A	N/A	NOT ACTIVE
28	YAZAKI	7116-4151-02	12588067	02JN03	2.8mm YESC SEALED FEMALE TERMINAL TIN 0.75mm2-1.0mm2	N/A	N/A	N/A	N/A	NOT ACTIVE
29	YAZAKI	7116-4152-02	12582685	02JN03	2.8mm YESC SEALED FEMALE TERMINAL TIN 1.5mm2-2.5mm2	N/A	N/A	N/A	N/A	AVAILABLE
30	YAZAKI	7158-3111-60	12588068	02JN03	2.8mm CABLE SEAL (wire O.D. range 1.2mm-1.9mm)	N/A	N/A	N/A	GREEN	NOT ACTIVE
31	YAZAKI	7158-3112-70	12588069	02JN03	2.8mm CABLE SEAL (wire O.D. range 1.8mm-2.3mm)	N/A	N/A	N/A	YELLOW	NOT ACTIVE
32	YAZAKI	7158-3113-40	12582686	02JN03	2.8mm CABLE SEAL (wire O.D. range 2.1mm-3.0mm)	N/A	N/A	N/A	WHITE	AVAILABLE
33	YAZAKI	7158-3114-90	12674821	02JN03	2.8mm YESC CAVITY PLUG	N/A	N/A	N/A	BLUE	AVAILABLE
34	MOLEX	63825-8400	N/A	02JN03	MX64 TERM HAND CRIMP TOOL	N/A	N/A	N/A	N/A	AVAILABLE
35	MOLEX	63813-1400	XX019826	02JN03	MX64 TERM SERVICE TOOL	N/A	N/A	N/A	N/A	AVAILABLE
36	MOLEX	63902-5300	N/A	02JN03	MX64 CRIMP APPLICATOR with TOOL KIT 0.5/0.75mm2 PAYOFF DIRECTION D (left payoff) (contact Molex for payoff detail)	N/A	N/A	N/A	N/A	AVAILABLE
37	MOLEX	63902-5370	N/A	02JN03	MX64 APPLICATOR TOOL KIT 0.5/0.75mm2	N/A	N/A	N/A	N/A	AVAILABLE
38	MOLEX	63902-5100	N/A	02JN03	MX64 CRIMP APPLICATOR with TOOL KIT 0.35mm2 PAYOFF DIRECTION D (left payoff) (contact Molex for payoff detail)	N/A	N/A	N/A	N/A	AVAILABLE
39	MOLEX	63902-5170	N/A	02JN03	MX64 APPLICATOR TOOL KIT 0.35mm2	N/A	N/A	N/A	N/A	AVAILABLE
40	SPX	J35616-64	T.B.D.	02JN03	0.64mm PROBE TOOL (for rcpt)	N/A	N/A	N/A	N/A	AVAILABLE
41	SPX	J35616-64A	T.B.D.	02JN03	0.64mm PROBE TOOL WITH EXT (for rcpt)	N/A	N/A	N/A	N/A	AVAILABLE
42	SPX	J35616-65	T.B.D.	02JN03	0.64mm PROBE TOOL WITH EXT (for pin)	N/A	N/A	N/A	N/A	AVAILABLE
43	SPX	J35616-4A	T.B.D.	02JN03	2.8mm PROBE TOOL (for rcpt)	N/A	N/A	N/A	N/A	AVAILABLE
44	YAZAKI	X39899-J374	12094430	02JN03	2.8mm TERM SERVICE TOOL	N/A	N/A	N/A	N/A	AVAILABLE
45	TQI	7000-1006	N/A	15JN15	52 CKT PASS THROUGH ADAPTERS	N/A	N/A	N/A	BLACK	AVAILABLE
46	TQI	7000-1002	N/A	15JN15	66 CKT PASS THROUGH ADAPTERS	N/A	N/A	N/A	BLACK	AVAILABLE
47	TQI	79917-0061	N/A	15JN15	73 CKT PASS THROUGH ADAPTERS	N/A	N/A	N/A	BLACK	AVAILABLE
48	TQI	79917-0066	N/A	15JN15	80 CKT PASS THROUGH ADAPTERS	N/A	N/A	N/A	BLACK	AVAILABLE

* - MX123 DRESS COVER 52/66/73/80 CKT MATES TO ANY MX123 HARN CONN ASSY SHOWN ON TABLE ABOVE



PAGE TITLE
COMPONENT TABLE

DRAWING NUMBER

12672833

DWG STATUS

ST REV PDI

R 001

PAGE NUMBER

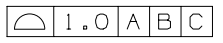
5 OF 22

NOTES: UNLESS OTHERWISE SPECIFIED

1. MATERIAL FOR INTERFACE:


- A. RESIN:
 - 1. 30% G.F. PBT; 20% MAX. (BY WEIGHT) REGRIND.
 - 2. MATING CONNECTOR INTERFACE PART COLOR MUST BE SAME AS MATCHING KEYED HARNESS CONNECTOR ASSEMBLY.
 - 3. MUST BE VALIDATED FOR INDIVIDUAL DEVICE APPLICATION REQUIREMENTS.
- B. 0.64MM PINS:
 - 1. BASE MATERIAL: COPPER ALLOY; CONDUCTIVITY >= 28% IACS AT 20°C; TENSILE STRENGTH >= 635 N/mm²; SURFACE ROUGHNESS R_a 6 MAX.
 - 2. PLATING FINISH: SILVER (Ag). PLATING TO BE 1.9-3.3 μm ELECTRODEPOSITED SEMI-BRIGHT SILVER OVER 1.25-2.25 μm DUCTILE SULPHAMATE NICKEL PER NOTE 1(D).
 - 3. ANTI-TARNISH: SYNTHETIC HYDROCARBON CONTACT SURFACE FINISH OR EQUIVALENT APPLIED WITHOUT VOID TO CONTACT AREA (MIN 3.7mm FROM PIN TIP).
- C. 2.8MM BLADE:
 - 1. BASE MATERIAL: COPPER ALLOY; CONDUCTIVITY >= 28% IACS AT 20°C; TENSILE STRENGTH >= 350 N/mm²; SURFACE ROUGHNESS R_a 6 MAX.
 - 2. PLATING FINISH: TIN. PLATING TO BE 2.5-5.0 μm ELECTRODEPOSITED TIN, MATTE FINISH OVER 1.25-2.5 μm DUCTILE SULPHAMATE NICKEL PER NOTE 1(D).
- D. PLATING REQUIREMENTS:
 - 1. SILVER PLATING
 - a. 99.5% PURE SEMI-BRIGHT WITH NO ORGANIC BRIGHTNERS OR CHROMATES.
 - 2. NICKEL PLATING
 - a. ELECTRODEPOSITED DUCTILE SULFAMATE NICKEL WITH A NON-BRIGHTENED FINISH. NO ORGANIC OR BRIGHTENING AGENTS SHALL BE ALLOWED.
 - b. SHALL ONLY BE USED AS AN UNDERLYING PLATING AND MAY NOT BE USED AS AN ELECTRICAL CONTACT SURFACE PLATING.
 - c. SHALL BE NODULE FREE WHEN VIEWED AT 10X MAGNIFICATION IN MEASURED IN CONTACT SURFACE AREA PLUS 0.5MM PERIMETER AROUND THE CONTACT SURFACE AREA.
 - d. ALL PLATINGS SHALL HAVE A 1.0% MAXIMUM BY WEIGHT IMPURITIES. IMPURITIES ARE DEFINED AS ALL ELEMENTS NOT THE PRIMARY PLATING OR HARDENING AGENT IF APPLICABLE, AS DETERMINED BY WET CHEMICAL ANALYSIS OR AUGER METHOD. NO SINGLE IMPURITY SHALL EXCEED 0.1% MAXIMUM BY WEIGHT.
 - 3. TESTING
 - a. THICKNESS TO BE MEASURED IN CONTACT SURFACE AREA PLUS 0.5MM PERIMETER AROUND THE CONTACT SURFACE AREA AS DESIGNATED IN THE DRAWING. THICKNESS SHALL BE DETERMINED BY METHOD OF X-RAY (XRF).
 - b. PLATING ADHESION SHALL BE TESTED BY A BEND TEST FOR ALL METALS. THE TEST SAMPLE SHALL BE BENT 90 DEGREES TO DETERMINE DEPOSIT ADHESION. TESTING SHALL BE COMPLETED IN ACCORDANCE WITH ASTM SPEC B571.

2. DESIGN - GENERAL:

- A. THIS IS A 100% CAD GENERATED PART. THE CAD MATHEMATICAL DATA IS THE MASTER FOR THIS PART. FOR DIMENSIONAL OR ANY INFORMATION NOT SHOWN ON THIS DRAWING, ANALYZE THE CAD MODEL.
- B. TOLERANCES:
 - 1. LINEAR
 - 0.X ± 0.30
 - 0.XX ± 0.10
 - 0.XXX ± 0.10
 - 2. ANGULAR X° ± 3°
 - 3. 
- C. MINIMUM WALL THICKNESS REQUIRED: 1.3mm.
- D. CORNERS SHOWN AS SHARP TO BE R 0.2 MAX.
- E. LETTERING SHALL BE 0.15 MAX RAISED IN 0.20 MAX RECESS PAD. THIS INCLUDES MATERIAL CODE, RECYCLING CODE, CAVITY ID AND DATE CODE.
- F-1. PARTS MUST BE FREE OF DISCOLORATION, SALT RESIDUE AND OTHER IMPERFECTIONS THAT AFFECT FIT OR FUNCTION.
- F-2. SCRATCHES OR DENTS NOT TO EXCEED 0.013mm IN DEPTH.
- G. FOLLOWING PRODUCTION CODES TO BE PERMANENTLY MARKED & HUMAN READABLE TO A LETTER HEIGHT OF 1.5 ± 0.5MM X 0.3 MAX DEEP
 - 1. MATERIAL #: XXXXX-XXXX
 - 2. DATE CODE: JJYY (JULIAN DAY, LAST DIGIT OF YEAR)
 - 3. INSPECTION MACHINE CODE + SERIAL #: X_XXXXX

3. DESIGN - MANUFACTURING:

- A. DRAFT TO BE WITHIN TOLERANCE.
- B. ALLOWABLE FLASH MAX 0.2 HIGH X MAX 0.13 THICK.
- C. ALLOWABLE PARTING LINE MISMATCH 0.2 MAX.
- D. EJECTOR PINS MARK TO BE FLUSH TO 0.25 MAX DEPRESSED.
- E. ALLOWABLE GATE VESTIGE FLUSH TO 0.25 MAX PROTRUSION.
- F. NO EXTERNAL MOLD RELEASE AGENT ALLOWED DURING MANUFACTURING.
- G. STEEL THAT FORMS THE INDICATED SURFACE MUST BE POLISHED WITH A DIAMOND FINISH (SPI A-2) OVER THE FULL PERIPHERY OF THE TOOL. SURFACE MUST HAVE NO MISMATCH.
- H. ANY PROCESS LUBRICANT REMAINING ON THE TERMINAL MUST NOT VARNISH OR DEGRADE IT'S ELECTRICAL PERFORMANCE UP TO A MAXIMUM CLASS AMBIENT TEMPERATURE PER SAE USCAR-2 FOR 1008 HOURS. PROCESS LUBRICANTS SHOULD BE APPROVED BY THE RESPONSIBLE ENGINEER.
- J. OPTIONAL FEATURES PROVIDED FOR AUTOMATION.
- K. PART MUST BE FREE FROM BURRS AND SHARP EDGES, WHICH MIGHT BE DETRIMENTAL TO SATISFACTORY ASSEMBLY, SAFE HANDLING OR FUNCTION OF PART.
- L. PARTS AS DELIVERED TO ASSEMBLY SHALL BE CLEAN AND FREE OF DEBRIS, RESIDUAL ABRASIVE MATERIAL AND CORROSION PRODUCTS ADVERESLY AFFECTING FUNCTION OR APPEARANCE.
- M. RESTRICTED AND REPORTABLE SUBSTANCES FOR PARTS PER GMW3059.

	PAGE TITLE	DRAWING NUMBER	DWG STATUS			PAGE NUMBER	
	NOTES		12672833	ST	REV	PDI	6 OF 22
				R	001		

NOTES: UNLESS OTHERWISE SPECIFIED

4. SYSTEM REQUIREMENTS:

- A. HARNESS CONNECTOR IS COMPATIBLE WITH THE FOLLOWING ISO WIRE SIZE NO'S:
 0.35mm², MEETING GMW15626 - MIN OD OF 1.30MM
 0.50mm², MEETING GMW15626
 0.75mm², MEETING GMW15626 - MAX OD OF 2.06MM

B. CABLE TIE SPECIFICATIONS:

1. CABLE TIE:
 - TENSILE RATING: 220N / (50lbs) MIN
 - TIE LENGTH: 186mm MIN
 - TIE WIDTH: 4.75mm MAX
 - MATERIAL: NYLON
2. INSTALLATION:
 - CABLE TIE TENSION: 190N MIN
3. DRESSED WIRE BUNDLE PACKAGING: SEE FIG. 1

C. WHEN MATED WITH COMPONENT CONNECTOR INTERFACE AND/OR DRESS COVER, HARNESS CONNECTOR SYSTEM CONFORMS TO THE FOLLOWING:

1. SAE/USCAR-2, REV: 3 APRIL, 2001; CLASS 3
2. FIELD CORRELATED LIFE TEST, SAE/USCAR-20, NOV. 2001
3. GMW #3191 AUGUST 22, 2000 (DRAFT); TEMPERATURE CLASS 3, SEALING CLASS 1, VIBRATION CLASS 2
4. RESTRICTED AND REPORTABLE CHEMICALS PER GMW #3059, REV: D AUGUST 2002
5. TPA USER FORCES (FULLY POPULATED WITH TERMINALS)
 - a. REMOVAL FROM LOCK TO PRE-SET: <=120N

D. WIRE SPECIFICATIONS:

1. WIRE SURFACE MUST BE FREE OF SCRATCHES, GROOVES OR DENTS WHERE FUNCTIONAL

5. TERMINAL CURRENT RATINGS:

A. MX64 RCPT TERM

ALL TESTING DONE IN ACCORDANCE WITH USCAR-2 REV5 SECTION 5.3

1. MX64 RCPT TERM Ag 0.50/0.75mm² CRIMPED TO 0.75mm² ISO WIRE AND MATED TO MX123 0.64MM PIN: SEE TABLE BELOW
2. MX64 RCPT TERM Ag 0.35mm² CRIMPED TO 0.35mm² ISO WIRE AND MATED TO MX123 0.64MM PIN: SEE TABLE BELOW

WIRE	CURRENT RATING			
	23°C	85°C	105°C	125°C
0.75mm ²	11.3A	11.3A	9.5A	6.6A
0.50mm ²	10.0A	10.0A	8.3A	5.7A
0.35mm ²	8.5A	8.5A	7.1A	5.0A

B. 2.8MM RCPT TERM

ALL TESTING DONE IN ACCORDANCE WITH MOLEX DVP&R 0279 (TR # 7125)

1. 2.8MM RCPT TERM TIN 2.0mm² CRIMPED TO 2.0mm² ISO WIRE AND MATED TO MX123 2.8MM BLADE: 25.6 AMPS AT 125°C

6. CONTACT MOLEX AUTOMOTIVE FOR AVAILABLE CUSTOM PATTERNS OF CAVITIES OPEN FOR CIRCUITS - SEE GM DRAWING 13507496



PAGE TITLE
NOTES

DRAWING NUMBER

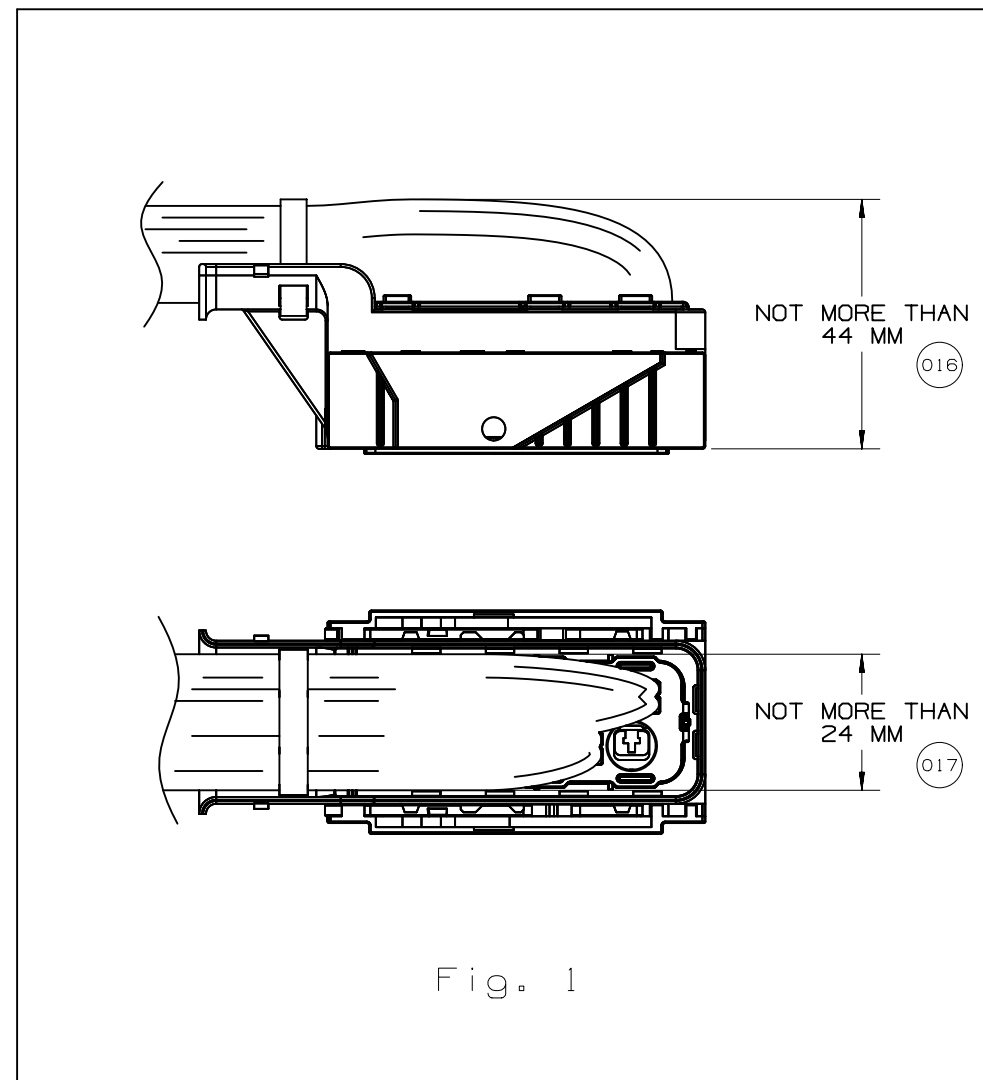
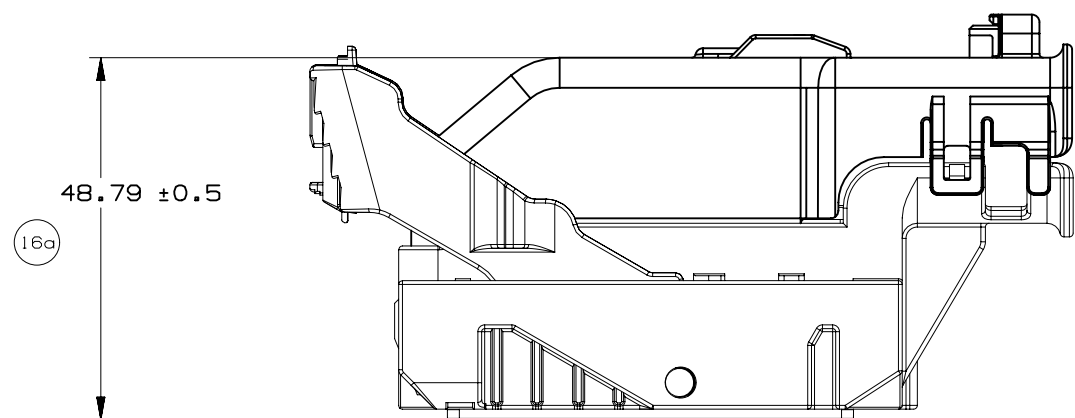
12672833

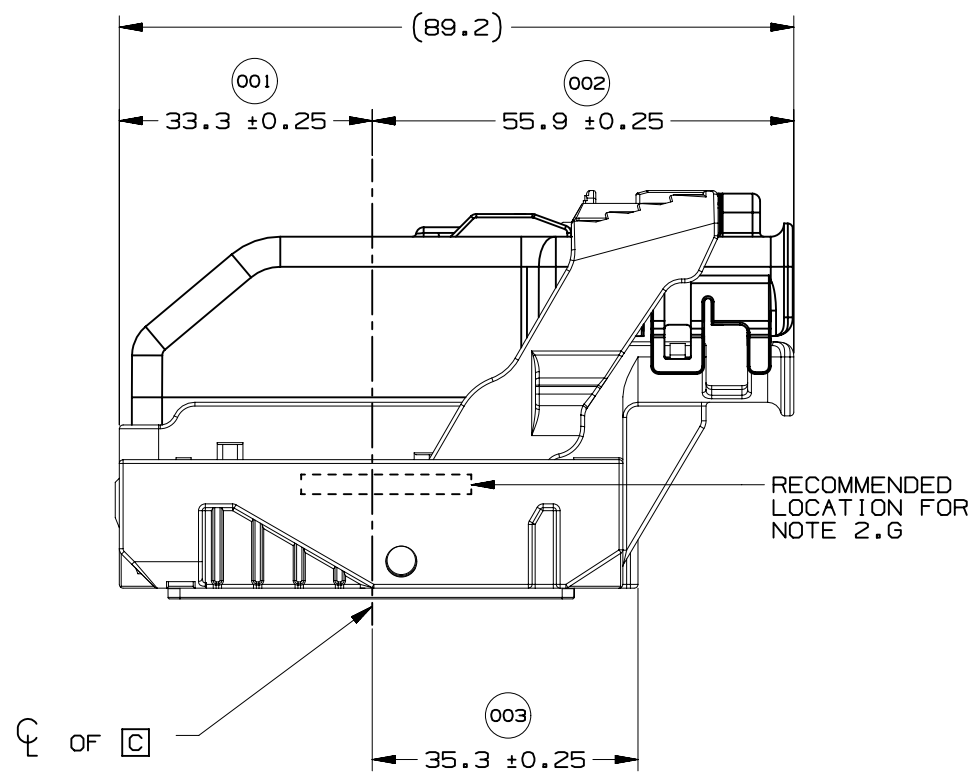
DWG STATUS

ST	REV	PDI
R	001	

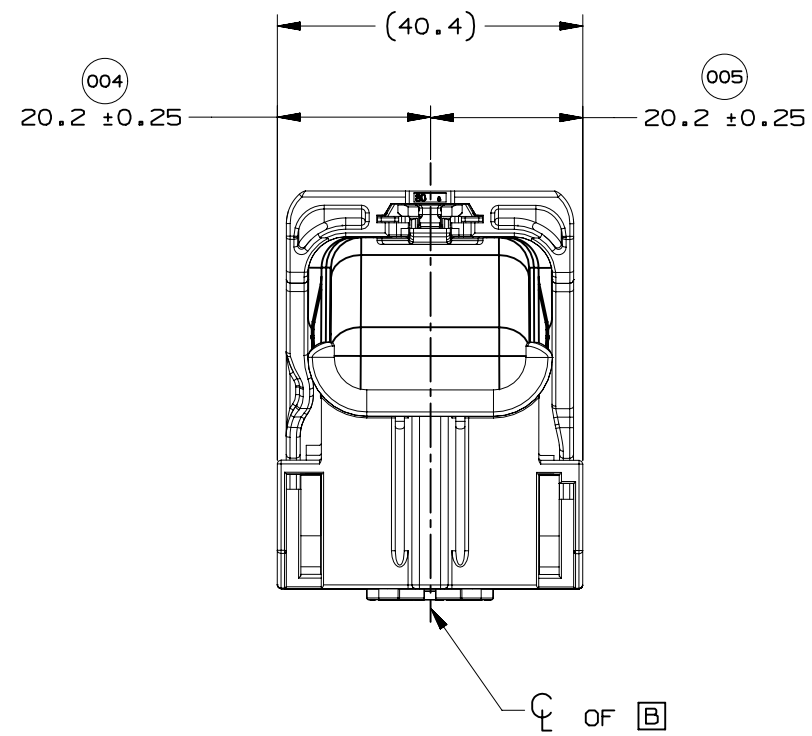
PAGE NUMBER

7 OF 22

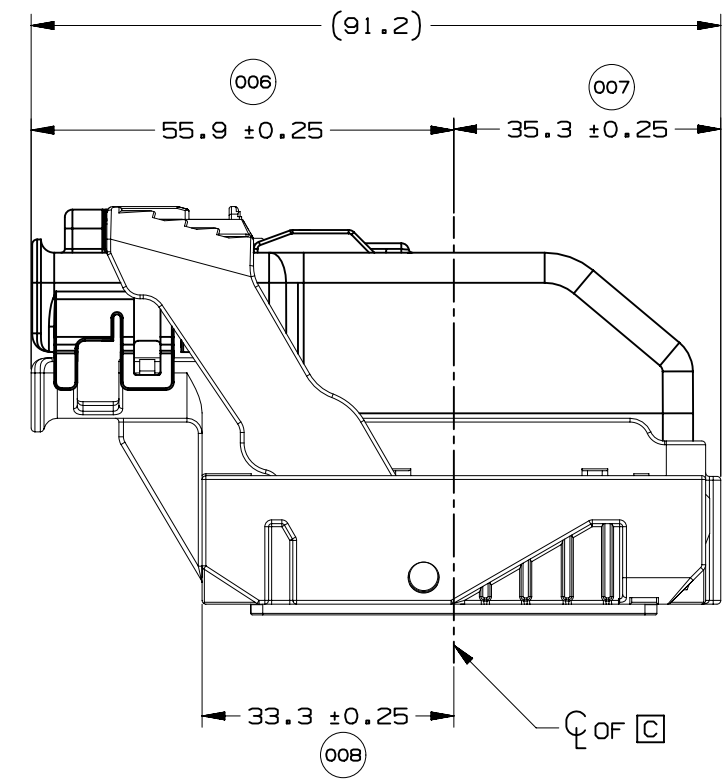




WIRE DRESS OPTION 0 SHOWN

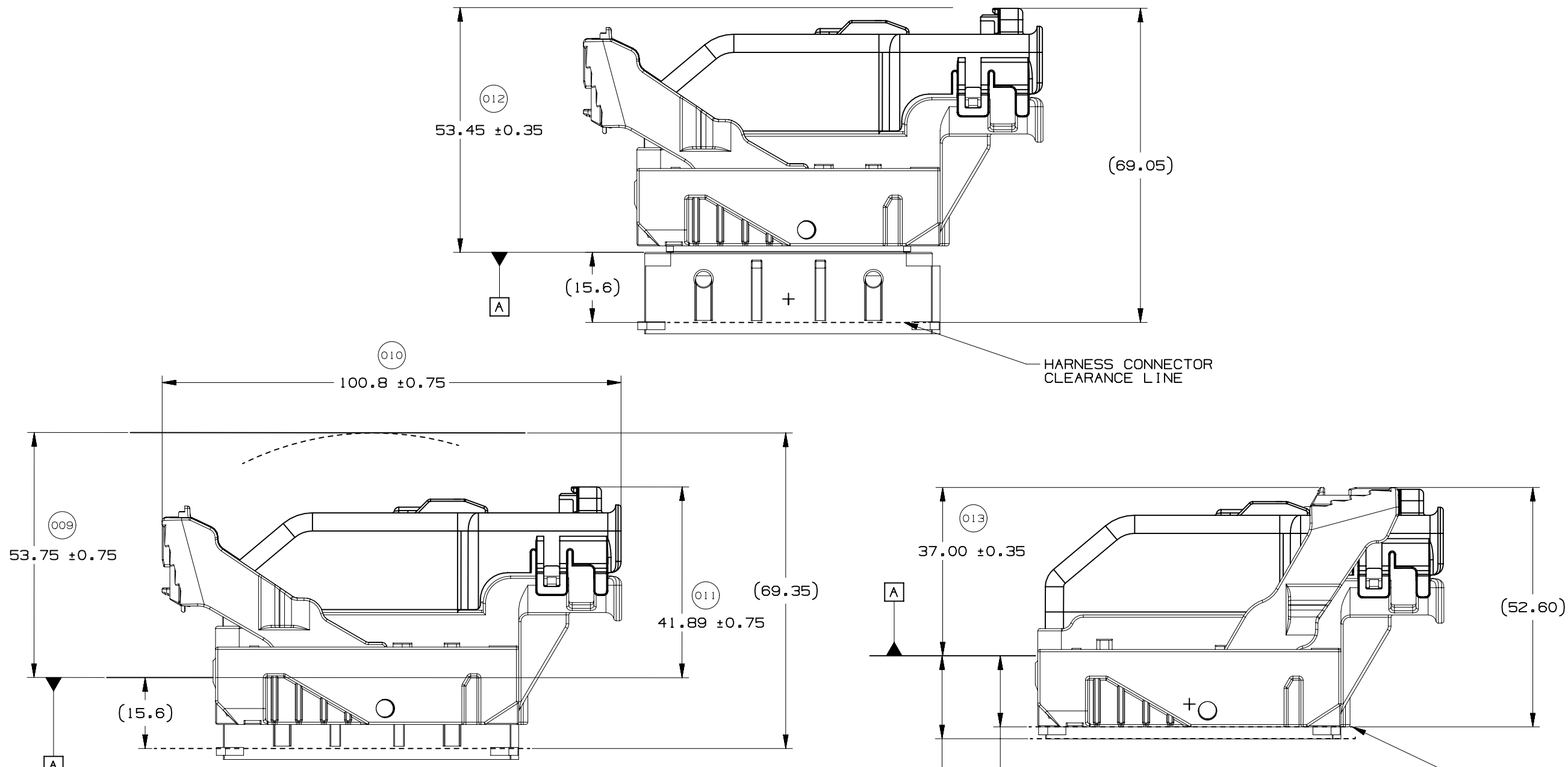


WIRE DRESS OPTION 0 SHOWN



WIRE DRESS OPTION 9 SHOWN





HARNESS CONNECTOR CLEARANCE LINE

HARNESS CONNECTOR ASSEMBLY IN FULLY-MATED POSITION

HARNESS CONNECTOR CLEARANCE LINE

15.6 MIN. ALL AROUND CLEARANCE REQUIRED FOR HARNESS CONNECTOR (014)

17.9 MIN. AT PAD LOCATION CLEARANCE REQUIRED FOR HARNESS CONNECTOR CONSTRUCTION BELOW THIS PLANE IS NOT CONTROLLED (015)

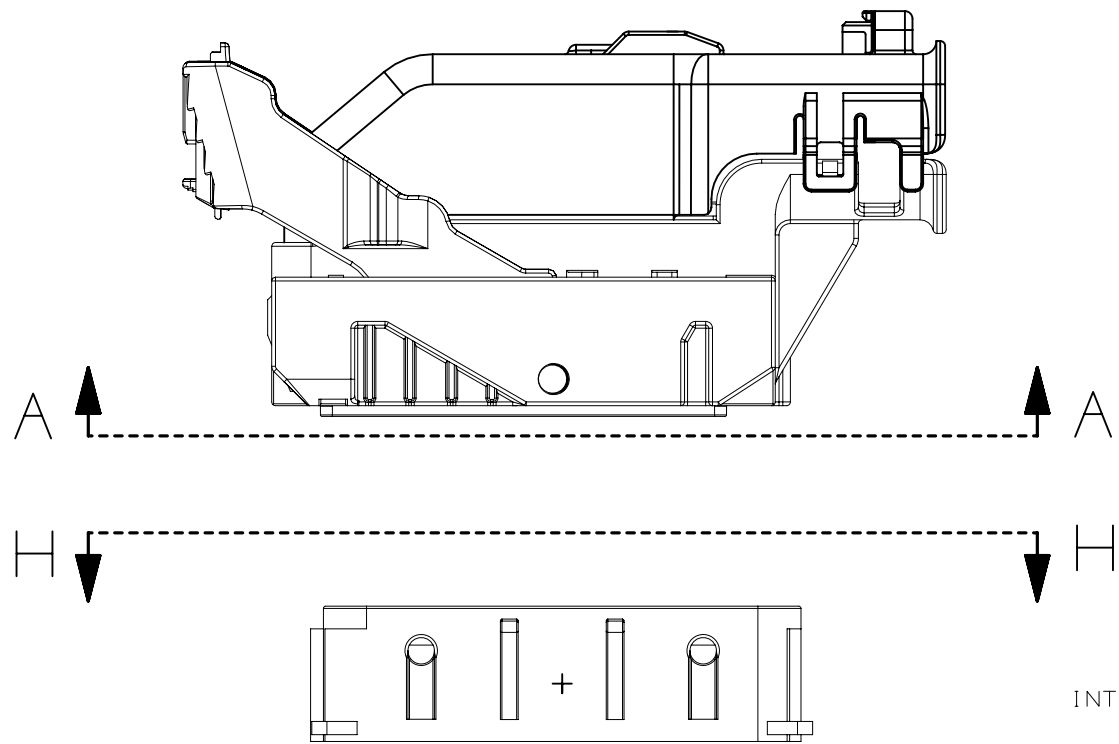


PAGE TITLE
LOCATION AND PACKAGING DIMENSIONS
REFERENCING INTERFACE DATUM A

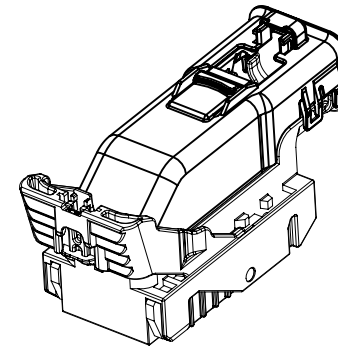
DRAWING NUMBER
12672833

DWG STATUS		
ST	REV	PD1
R	001	

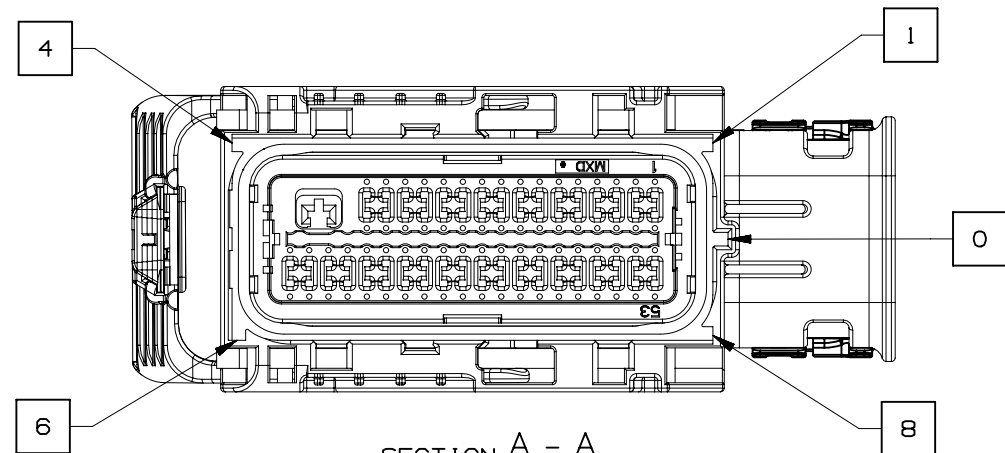
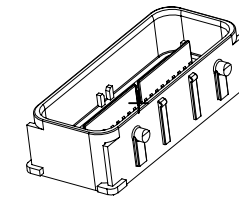
PAGE NUMBER
10 OF 22



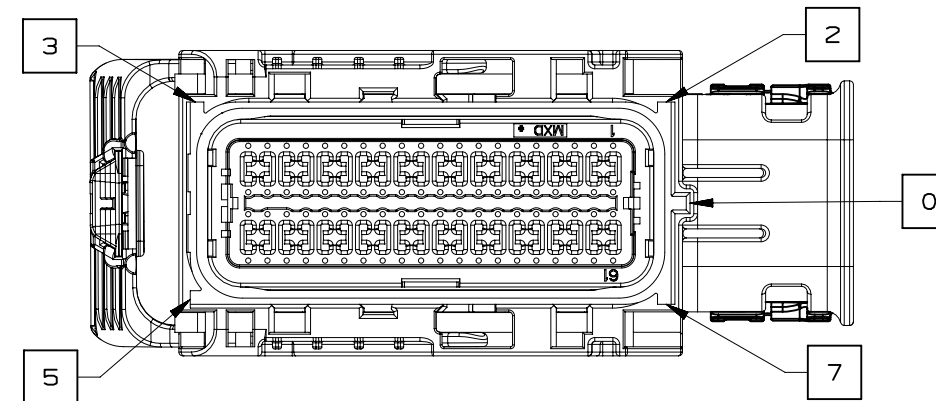
INTERFACE SIDE SHOWN ON ALL SECTION VIEWS



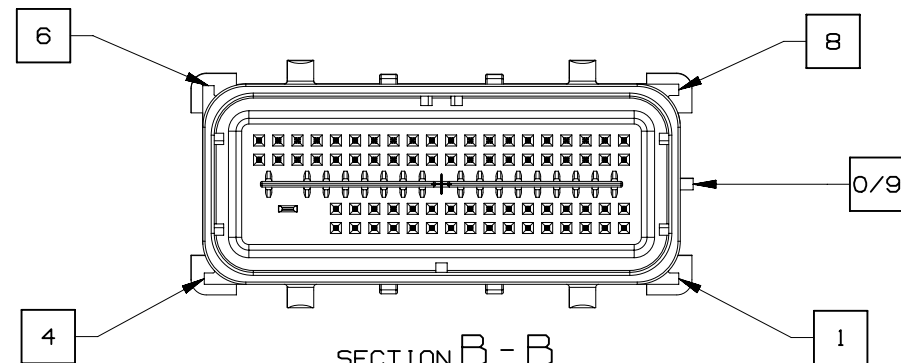
NOTE: REFERENCE THE COMPONENT TABLE FOR KEY OPTIONS AND CONFIGURATIONS



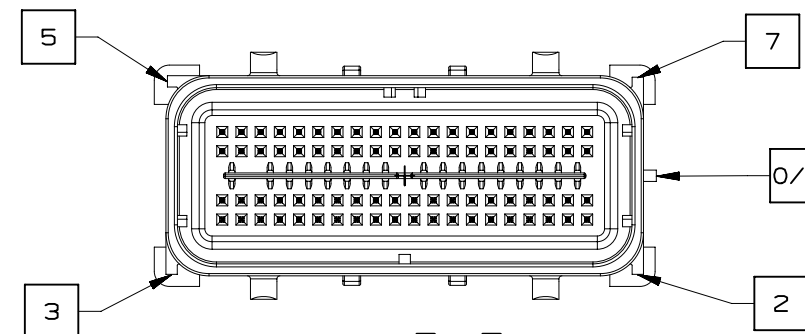
SECTION A - A
73 CKT HARNESS CONNECTOR ASSEMBLY
KEY OPTION B SHOWN



SECTION A - A
80 CKT HARNESS CONNECTOR ASSEMBLY
KEY OPTION K SHOWN



SECTION B - B
73 CKT HARNESS CONNECTOR ASSEMBLY
KEY OPTION B SHOWN



SECTION B - B
80 CKT HARNESS CONNECTOR ASSEMBLY
KEY OPTION K SHOWN

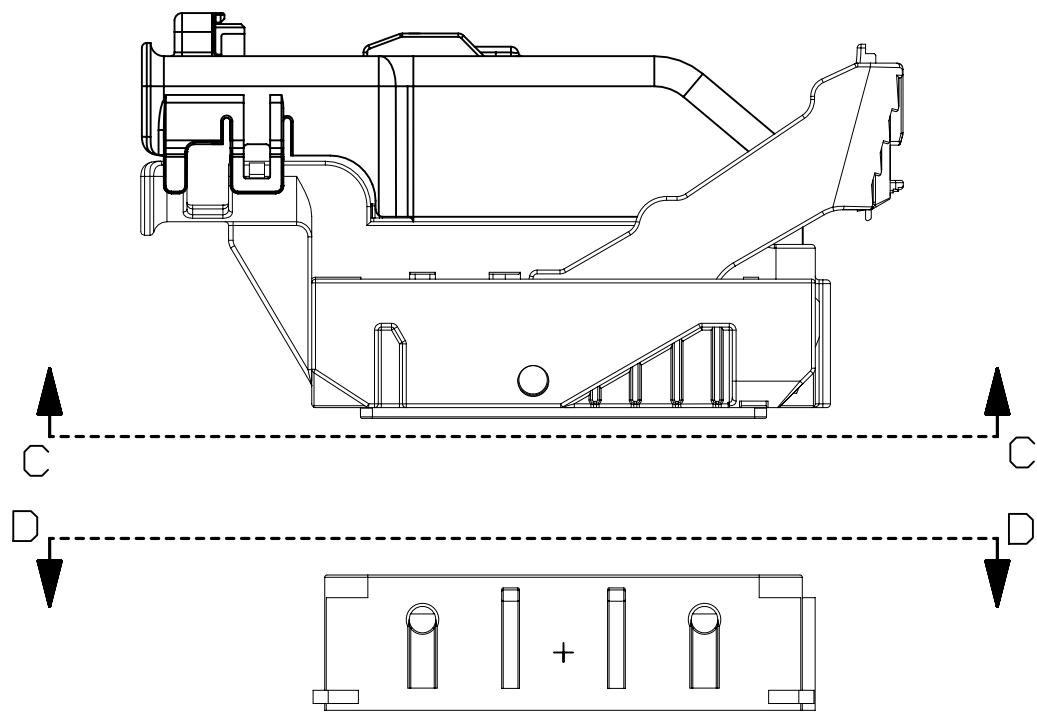


PAGE TITLE
KEY ID REF - WIRE DRESS OPTION 0

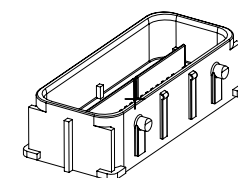
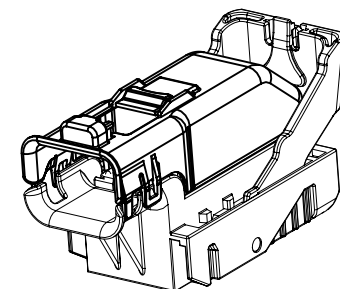
DRAWING NUMBER
12672833

DWG STATUS		
ST	REV	PD1
R	001	

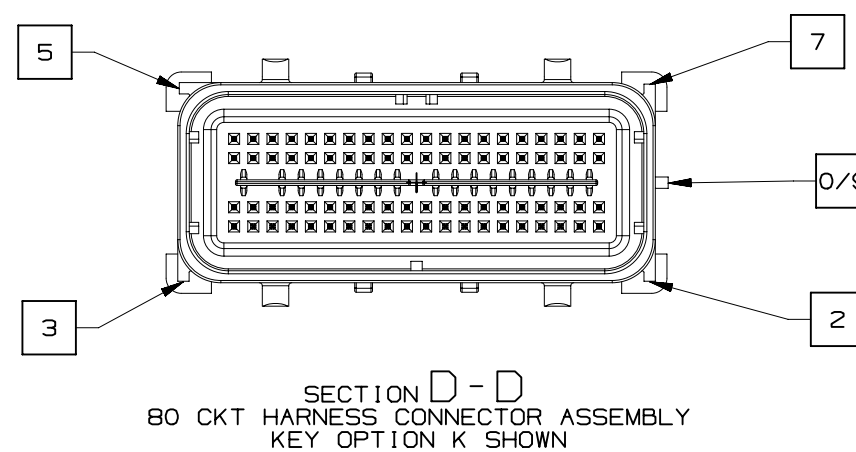
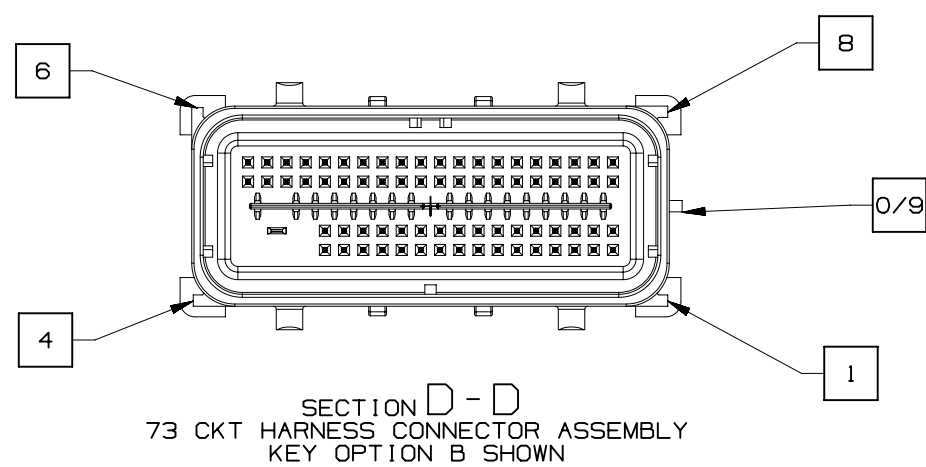
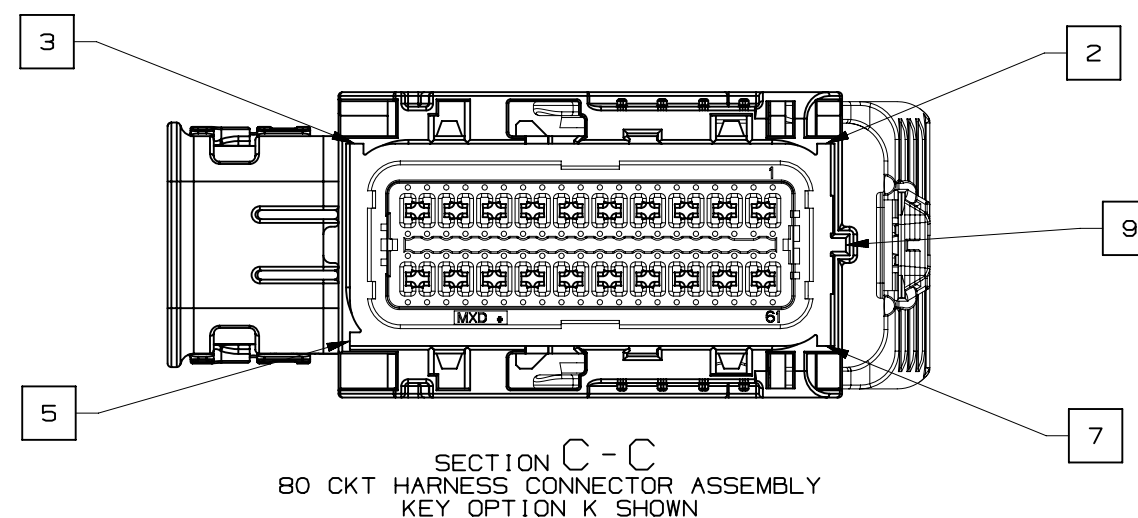
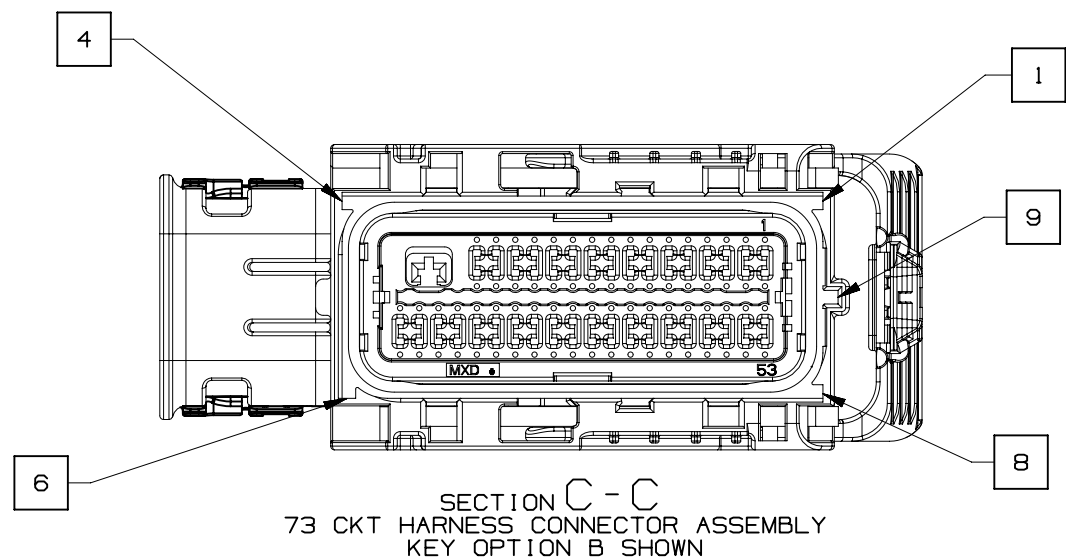
PAGE NUMBER
11 OF 22



INTERFACE SIDE SHOWN ON ALL SECTION VIEWS



NOTE: REFERENCE THE COMPONENT TABLE FOR KEY OPTIONS AND CONFIGURATIONS

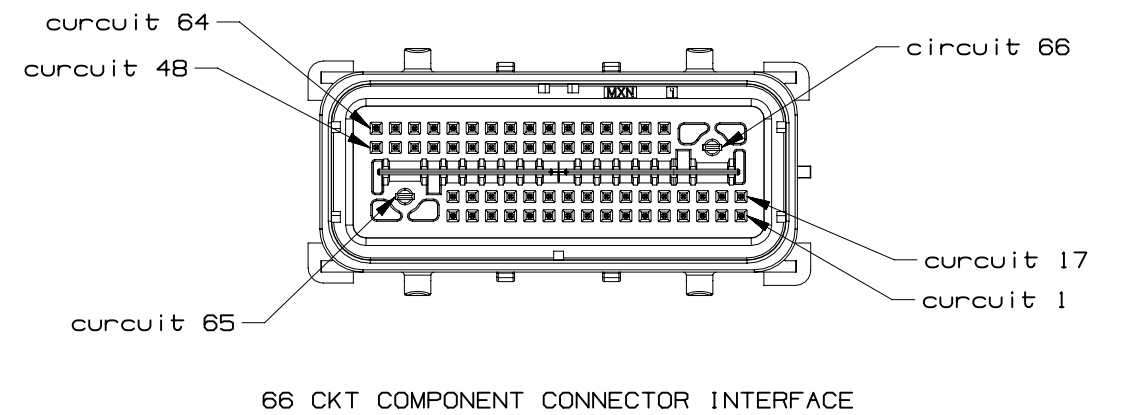
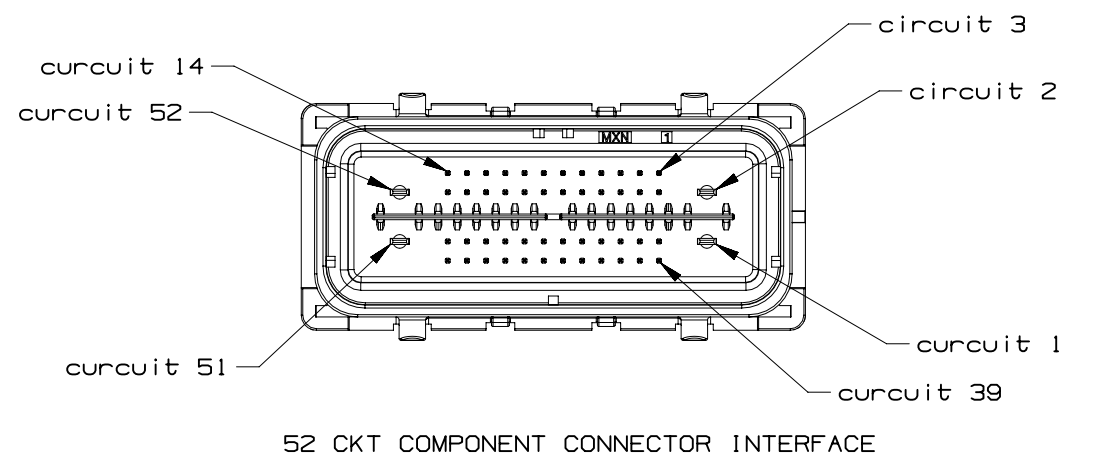
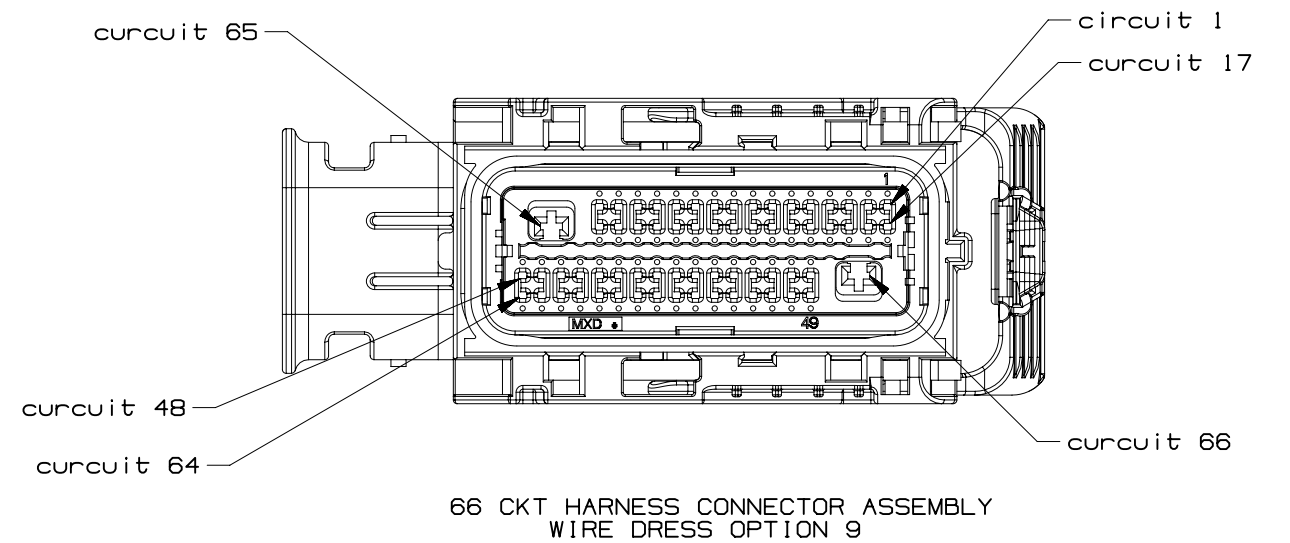
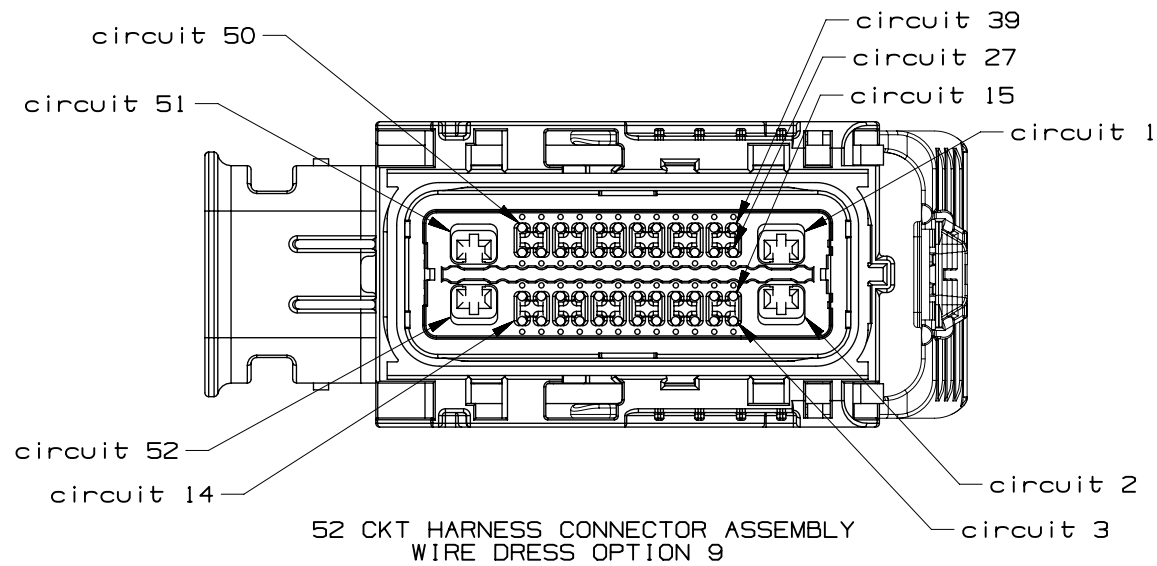
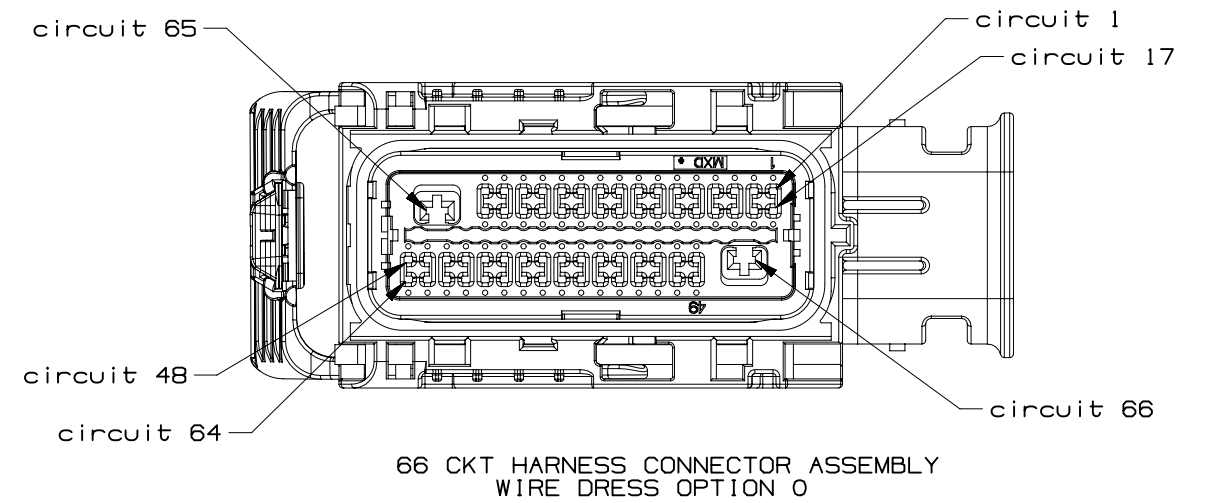
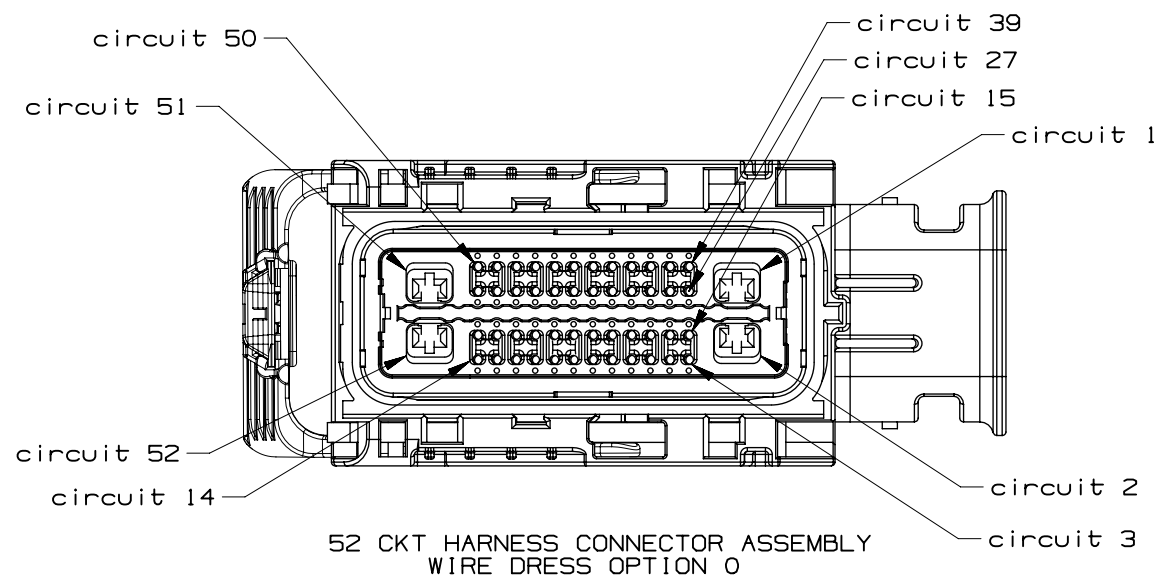


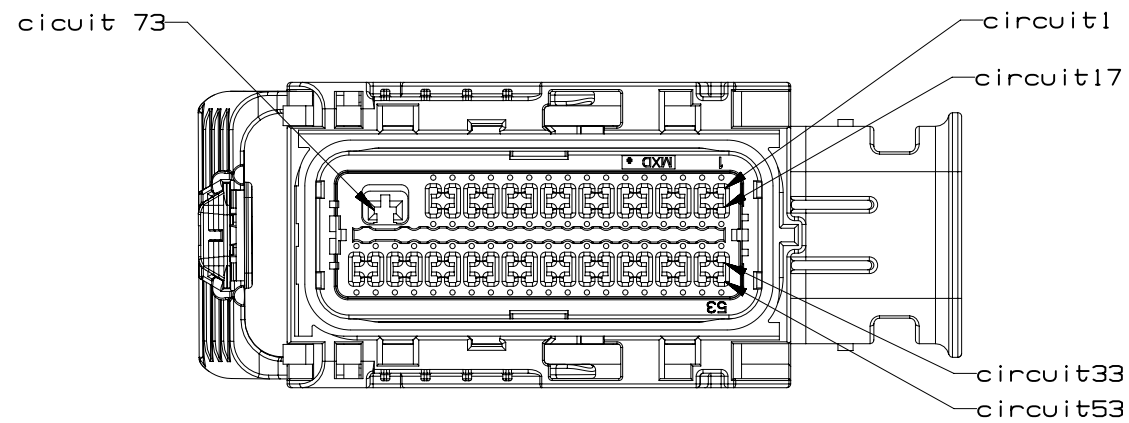
PAGE TITLE
KEY ID REF - WIRE DRESS OPTION 9

DRAWING NUMBER
12672833

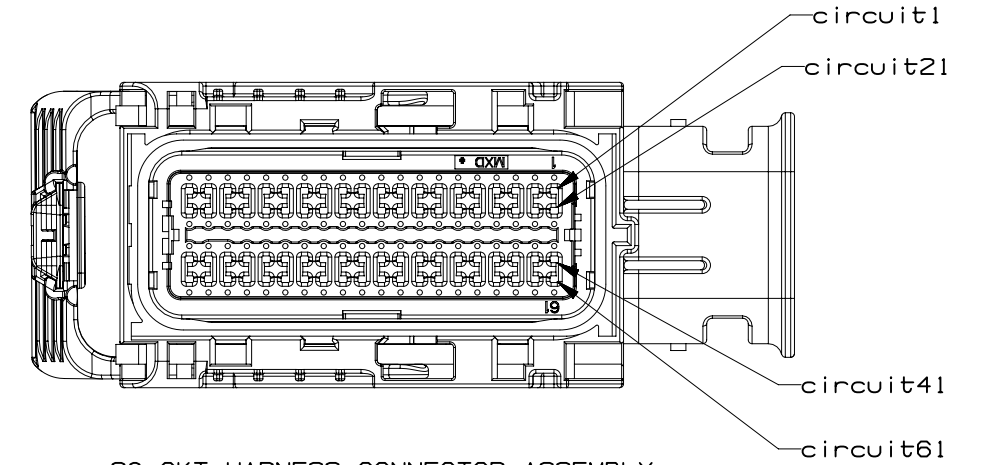
DWG STATUS		
ST	REV	PD1
R	001	

PAGE NUMBER
12 OF 22



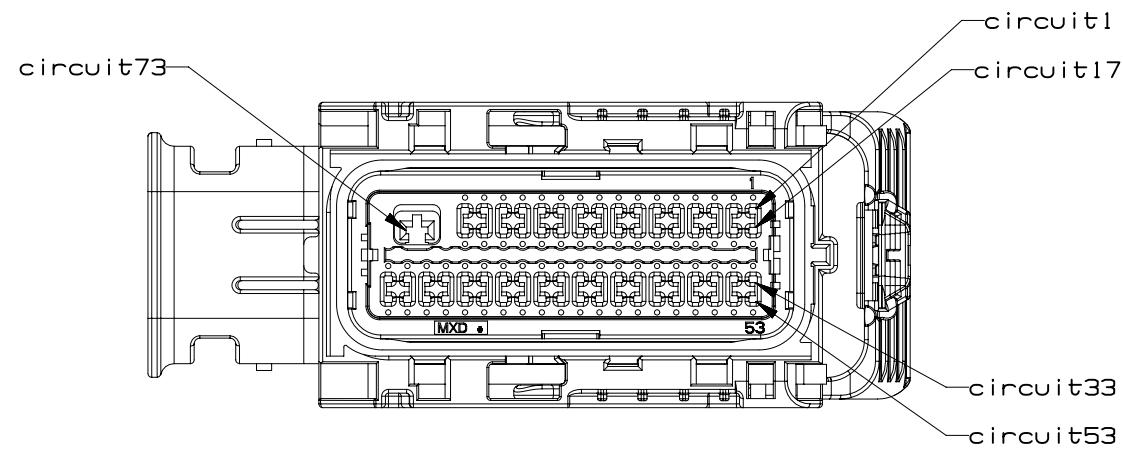


73 CKT HARNESS CONNECTOR ASSEMBLY
WIRE DRESS OPTION 0

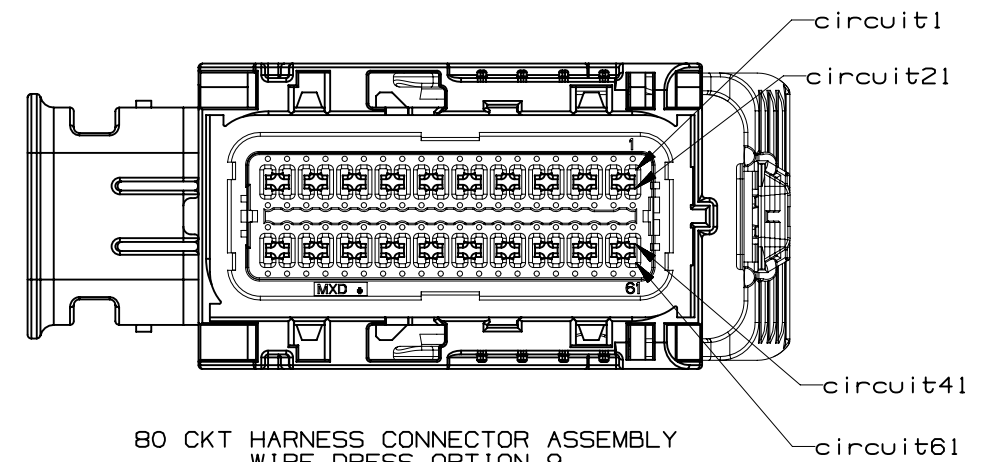


80 CKT HARNESS CONNECTOR ASSEMBLY
WIRE DRESS OPTION 0

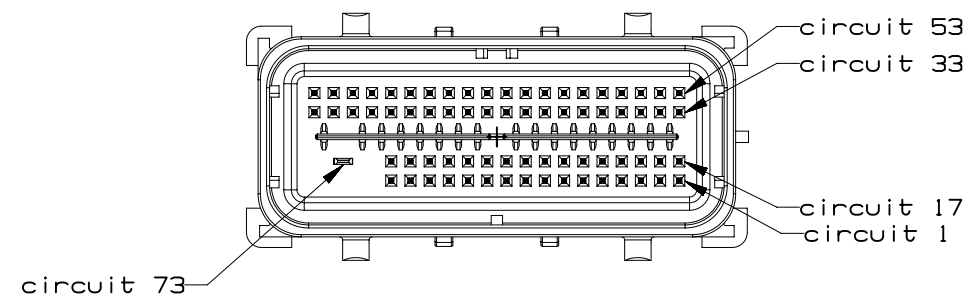
INTERFACE SIDE SHOWN ON ALL VIEWS



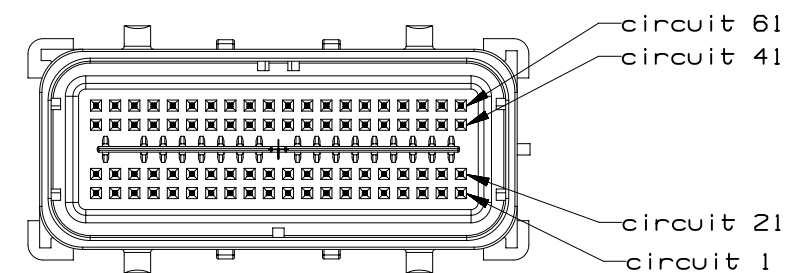
73 CKT HARNESS CONNECTOR ASSEMBLY
WIRE DRESS OPTION 9



80 CKT HARNESS CONNECTOR ASSEMBLY
WIRE DRESS OPTION 9

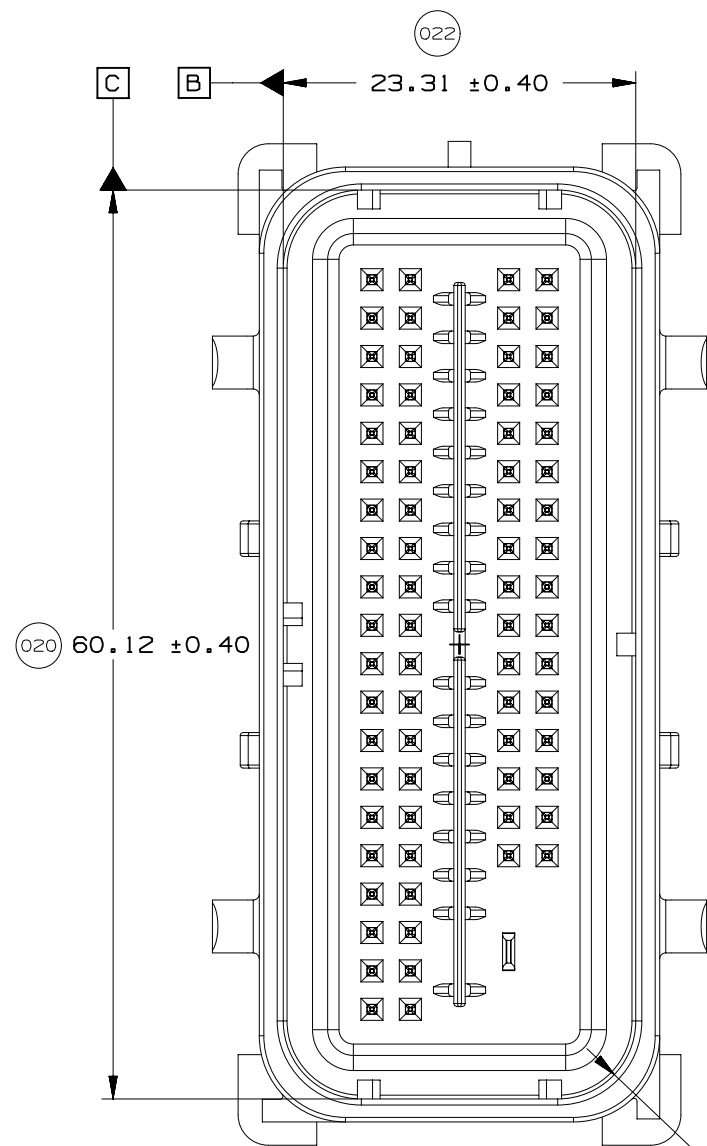
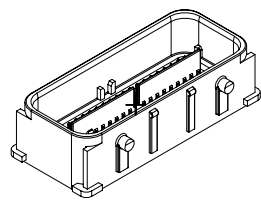


73 CKT COMPONENT CONNECTOR INTERFACE

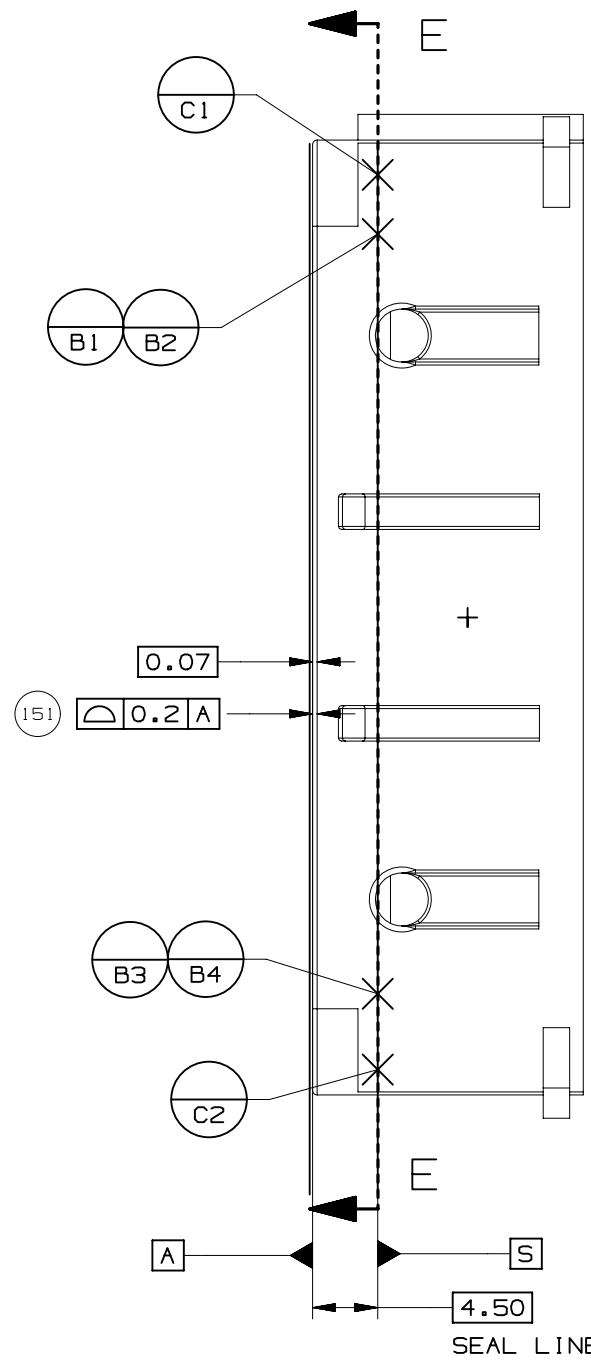


80 CKT COMPONENT CONNECTOR INTERFACE

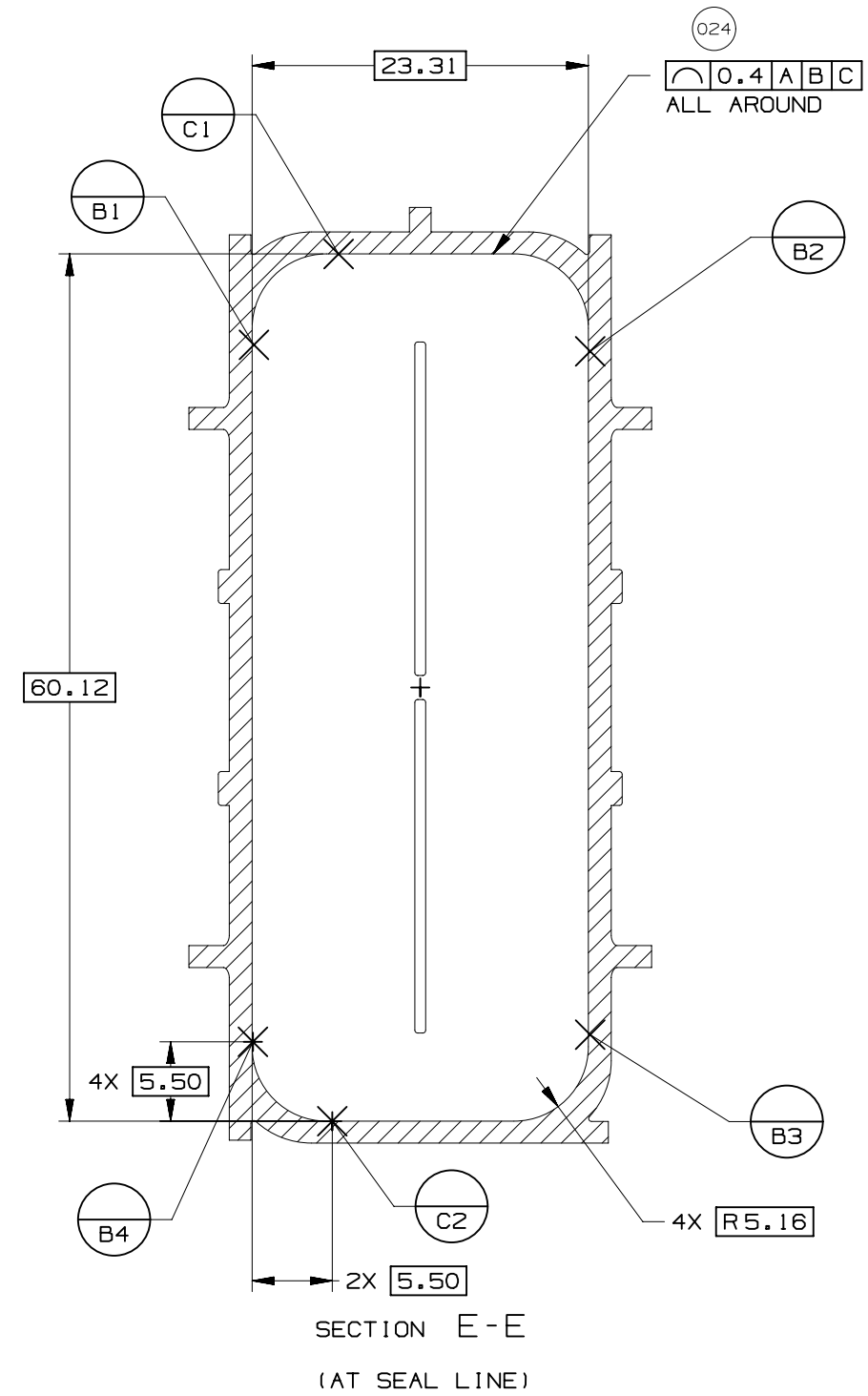




4X R5.16 ± 0.30



SEAL LINE



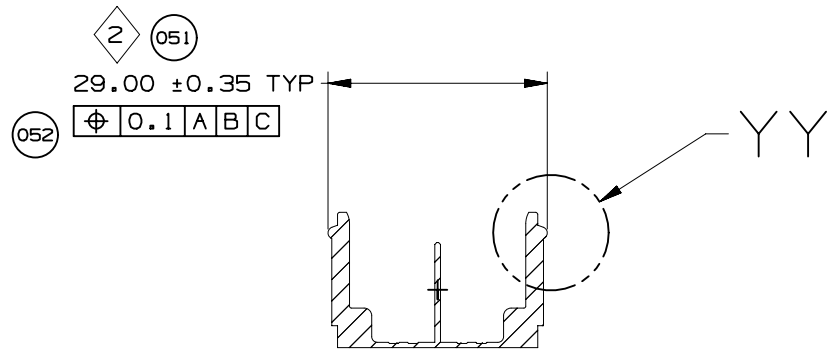
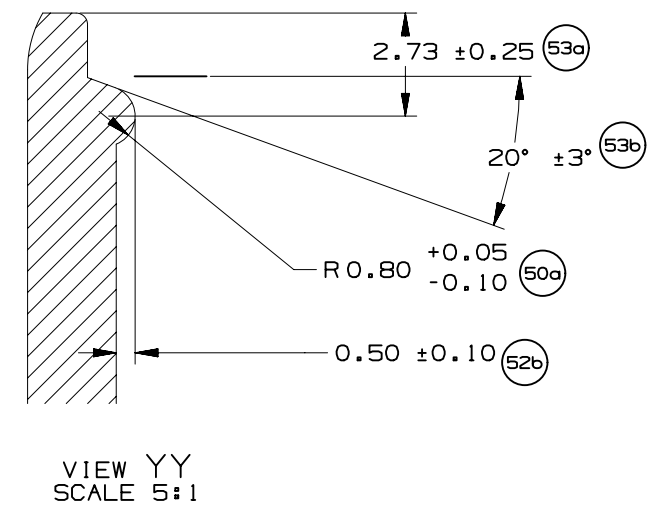
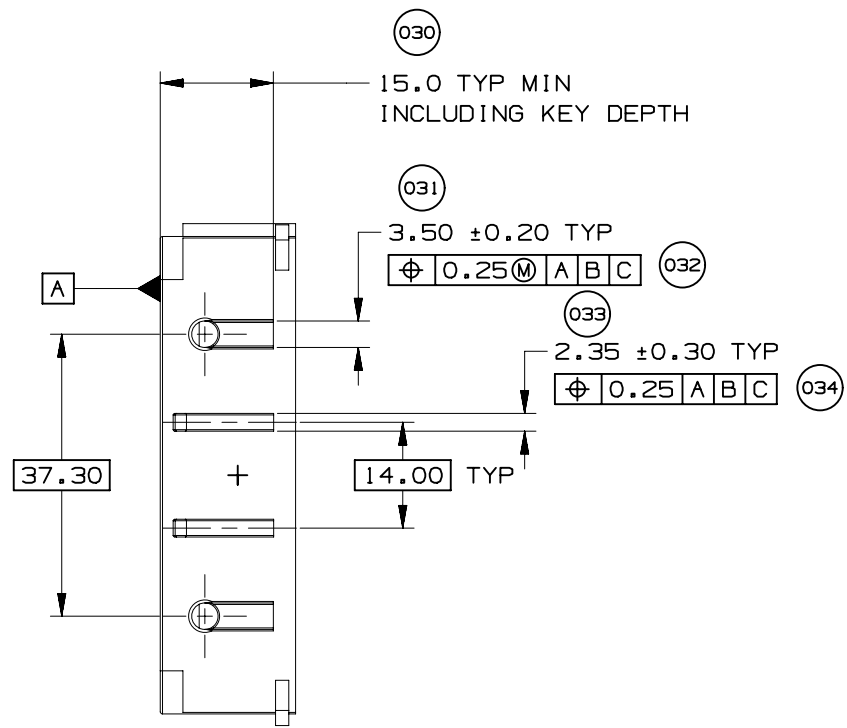
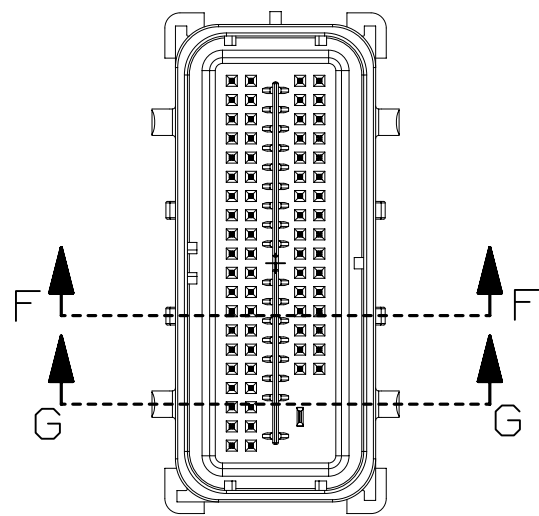
UNLESS SPECIFIED, TOLERANCE OF THE COMPONENT CONNECTOR INTERFACE TO BE $\sqrt[0.13]{A B C}$



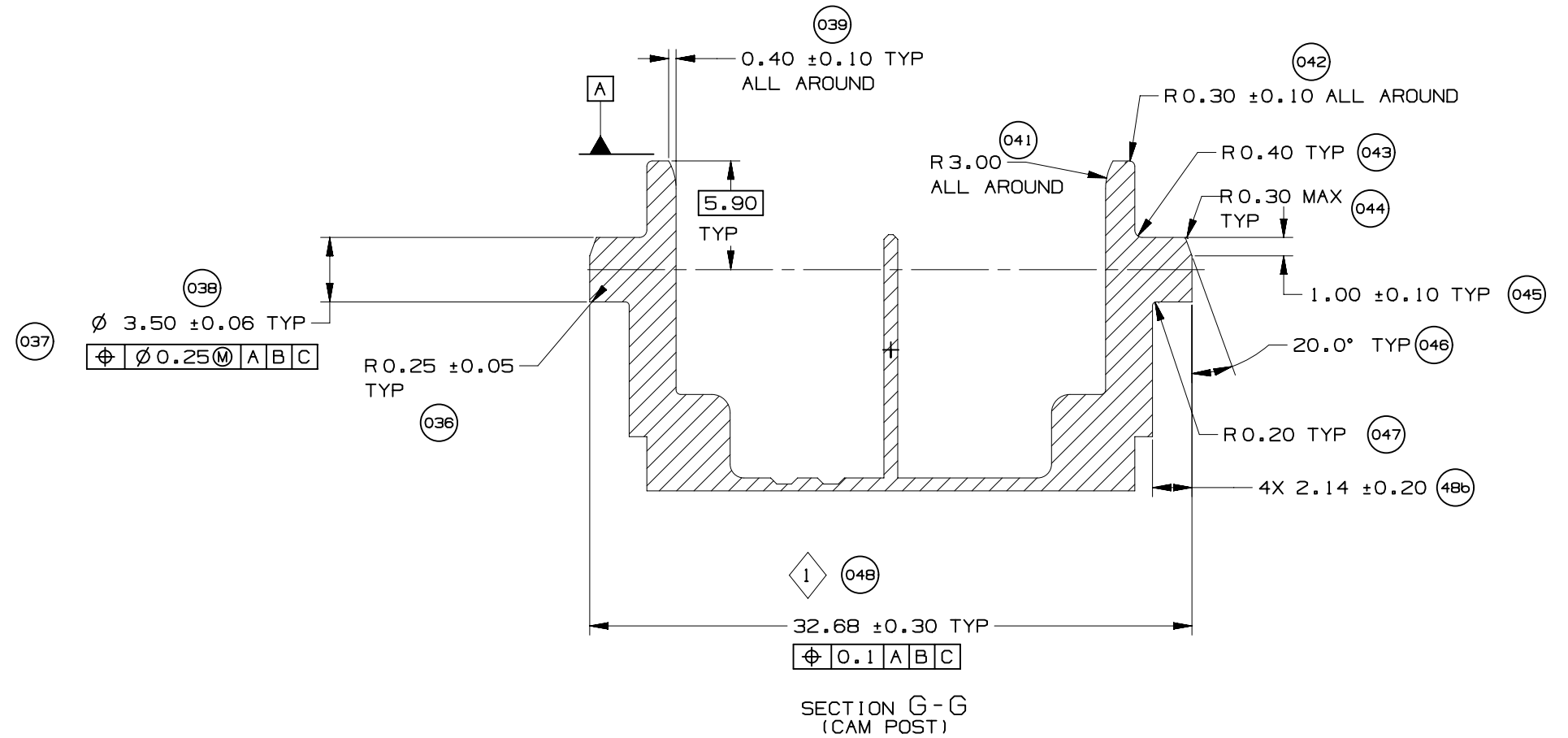
PAGE TITLE
COMPONENT CONNECTOR INTERFACE

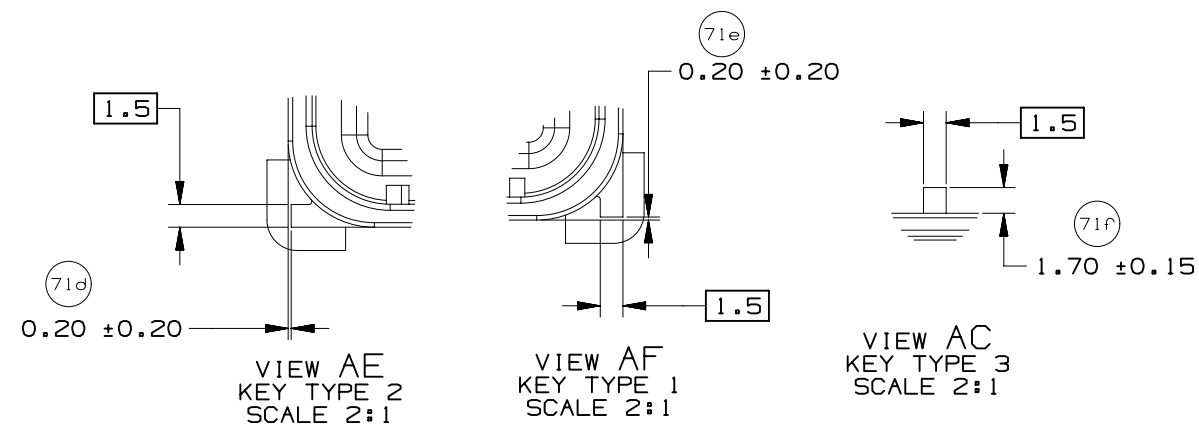
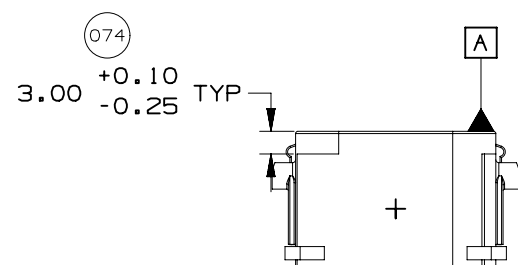
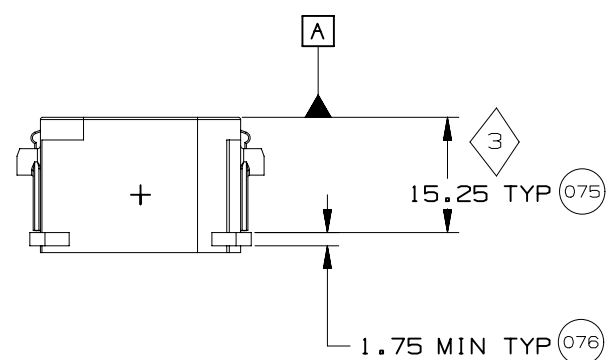
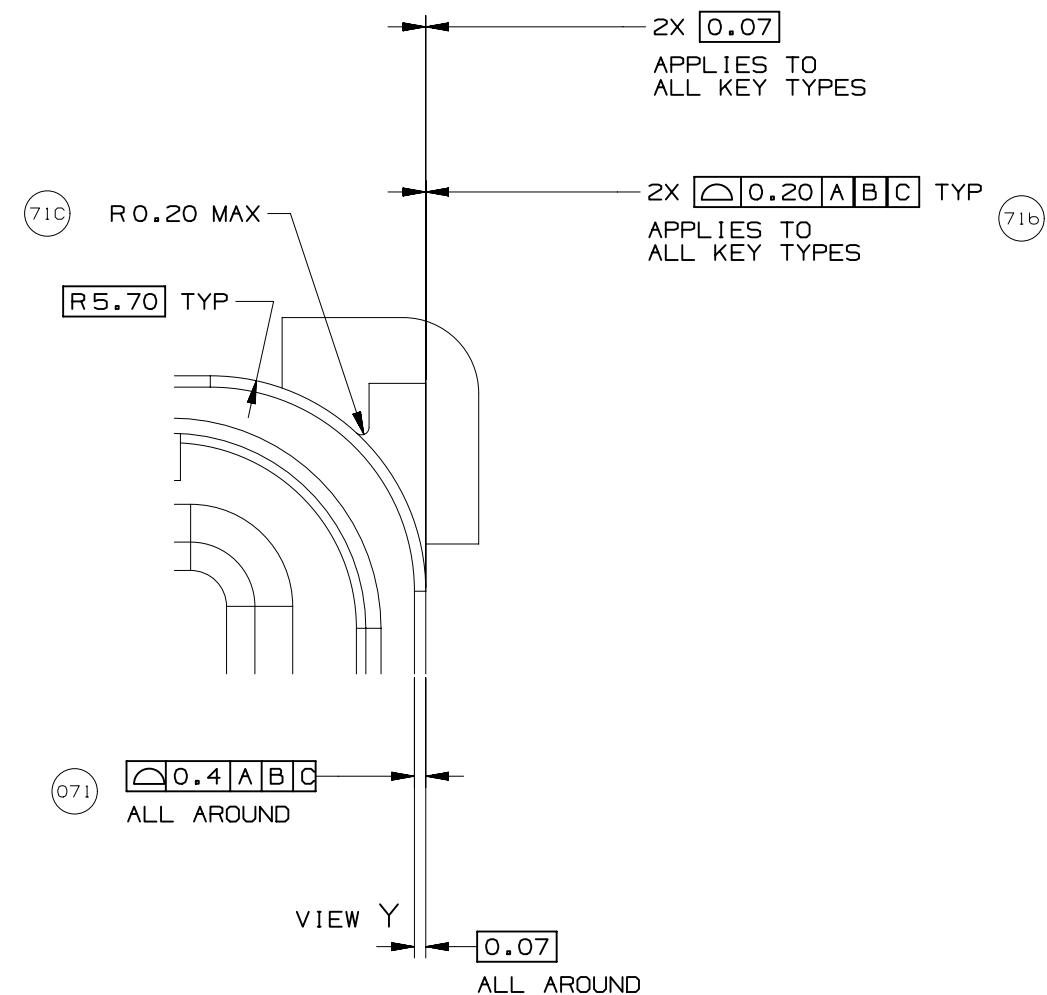
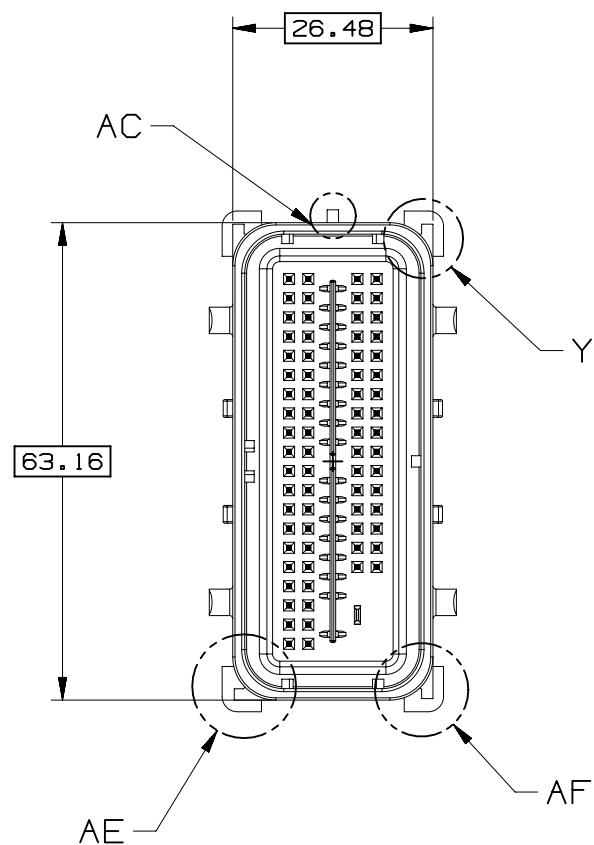
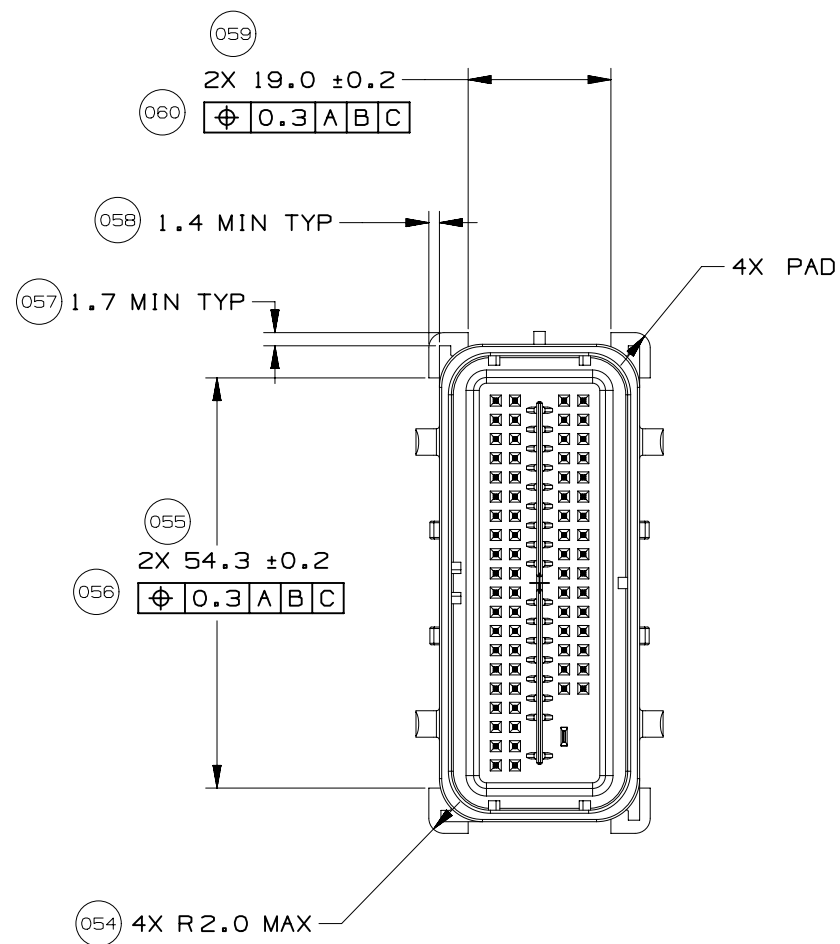
DRAWING NUMBER
12672833

DWG STATUS			PAGE NUMBER
ST	REV	PD1	
R	001		15 OF 22



SECTION F-F
(RELEASE FEATURE)

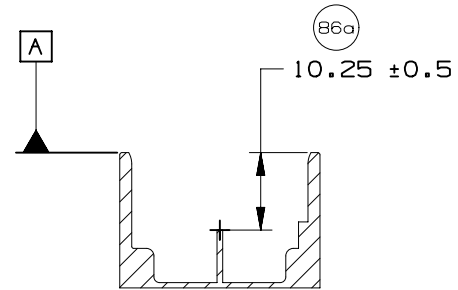
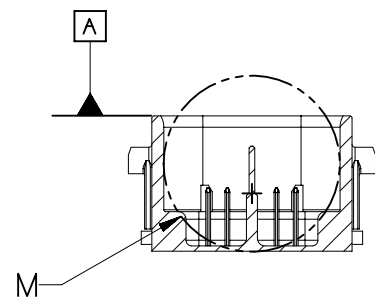
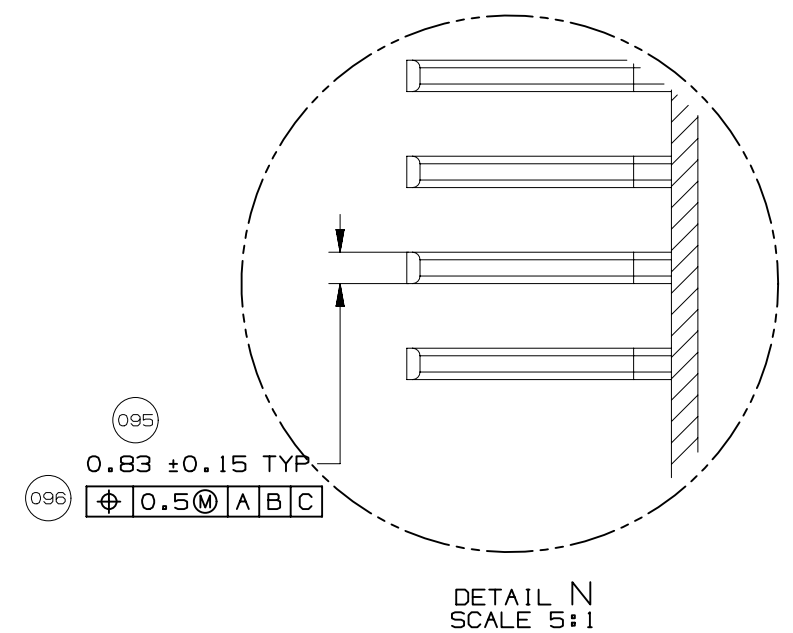
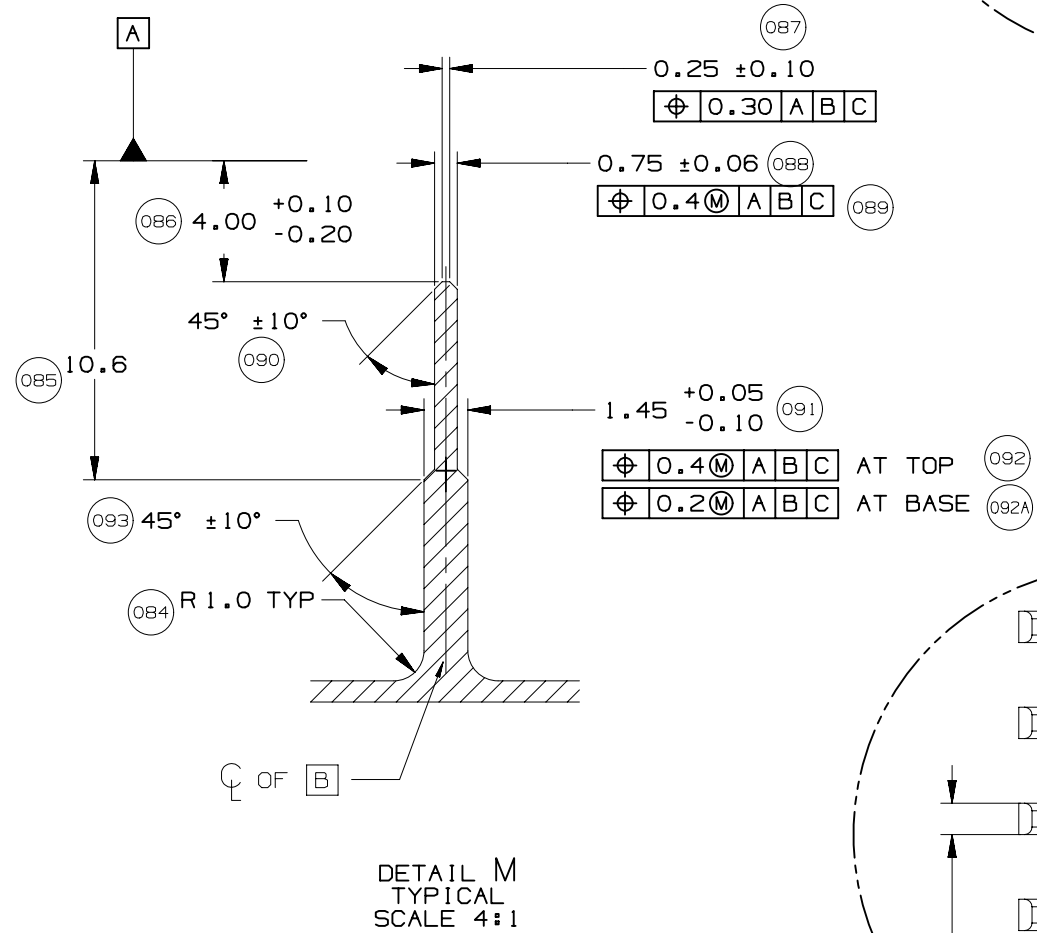
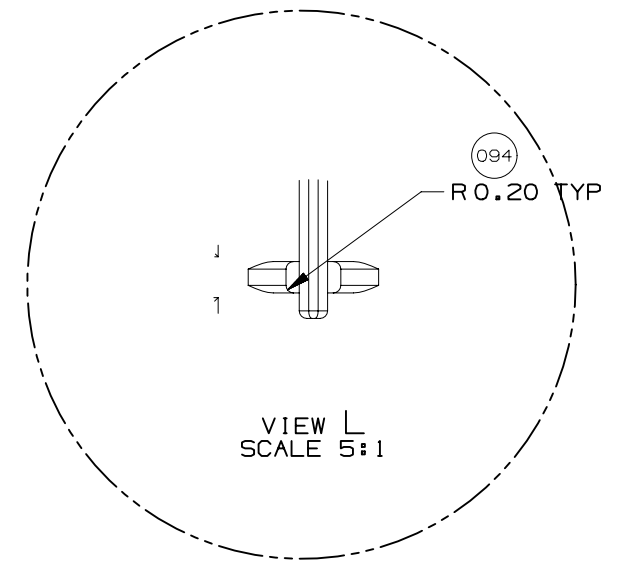
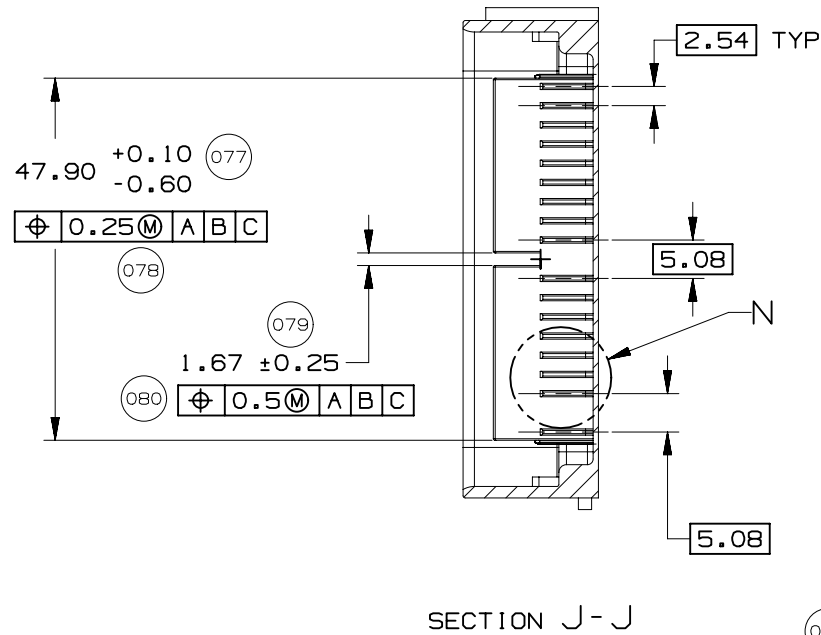
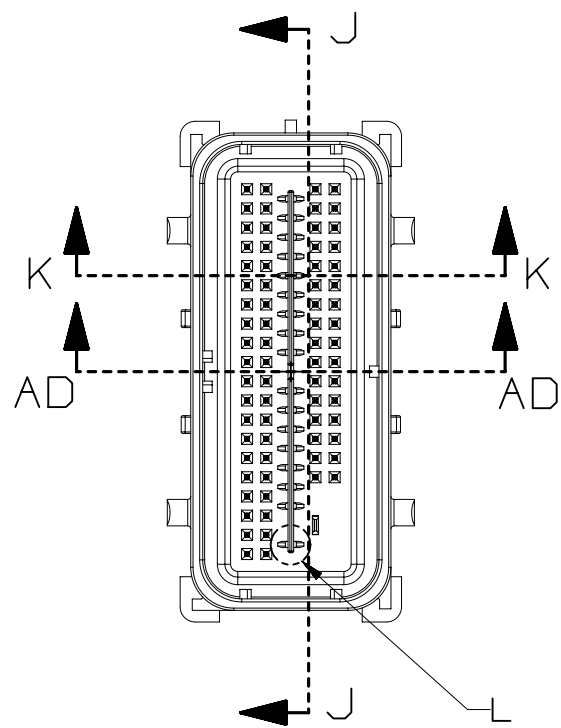


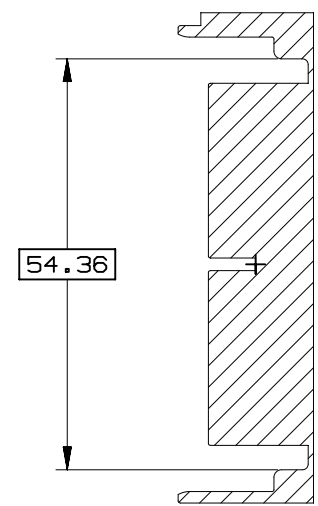
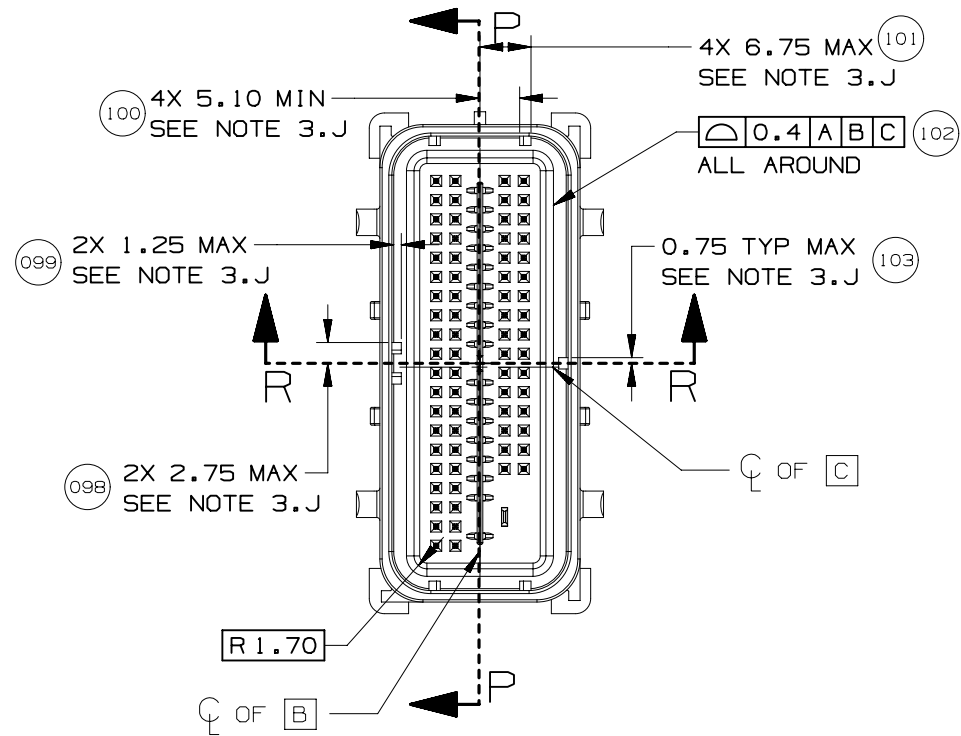


PAGE TITLE
 COMPONENT CONNECTOR INTERFACE

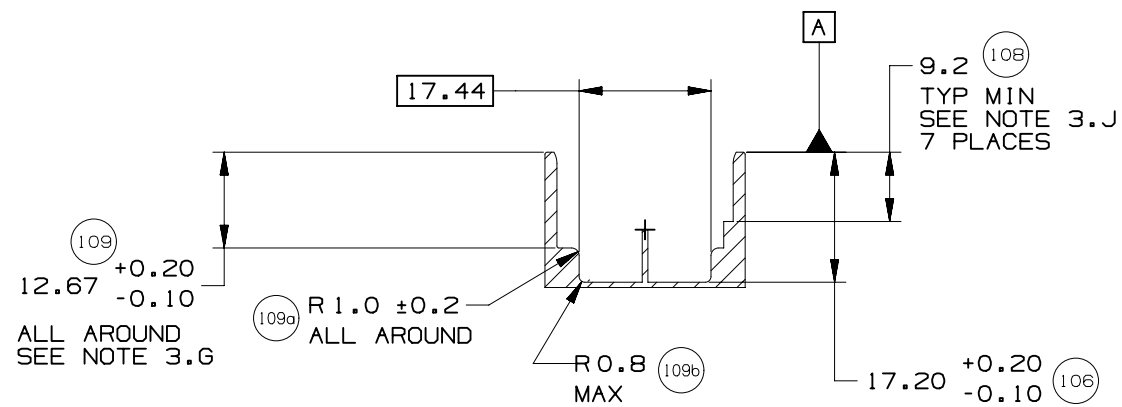
DRAWING NUMBER
 12672833

DWG STATUS			PAGE NUMBER
ST	REV	PD1	
R	001		17 OF 22





SECTION P-P



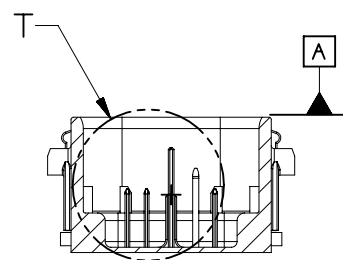
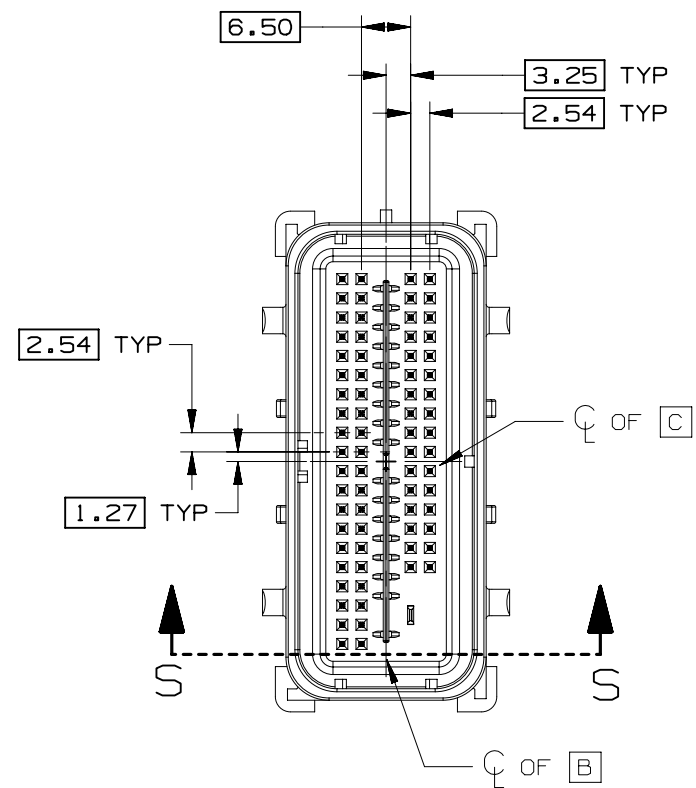
SECTION R-R



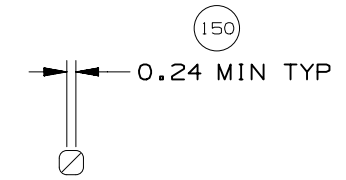
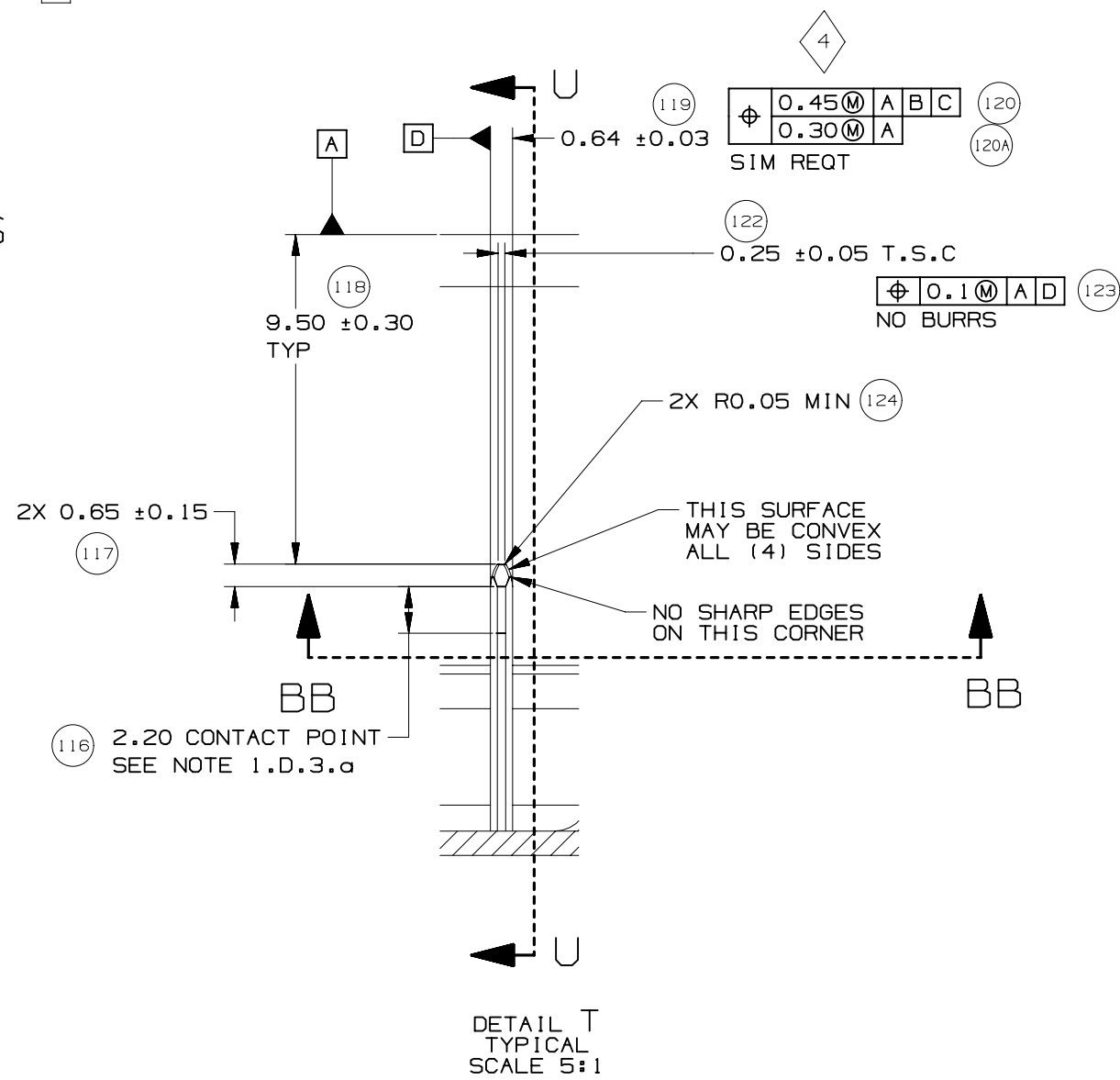
PAGE TITLE
COMPONENT CONNECTOR INTERFACE

DRAWING NUMBER
12672833

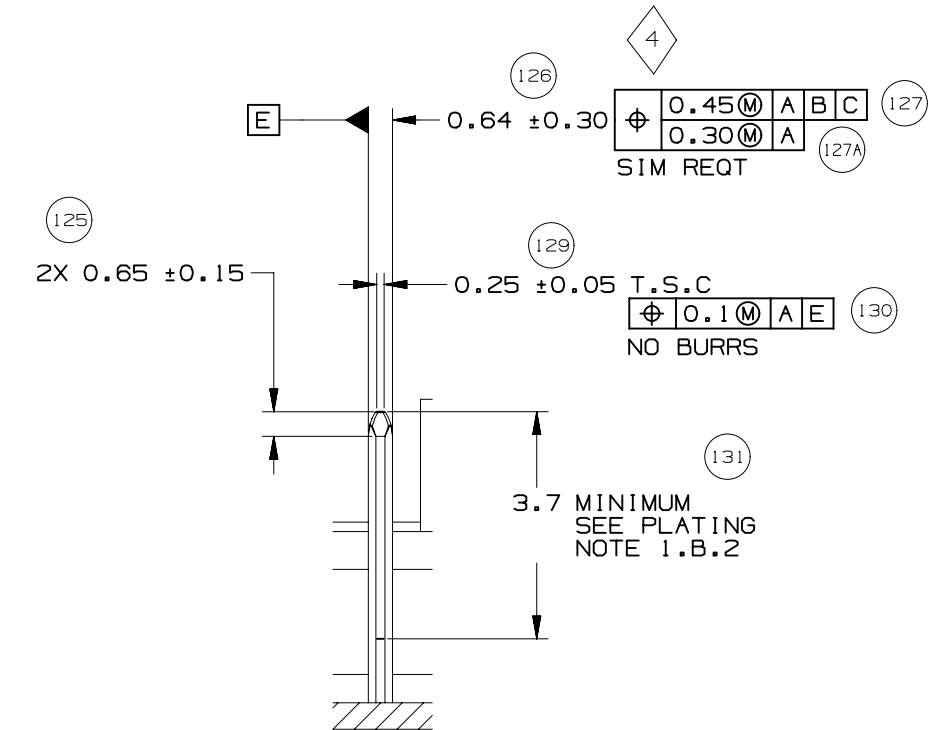
DWG STATUS			PAGE NUMBER
ST	REV	PD1	
R	001		19 OF 22



SECTION S-S

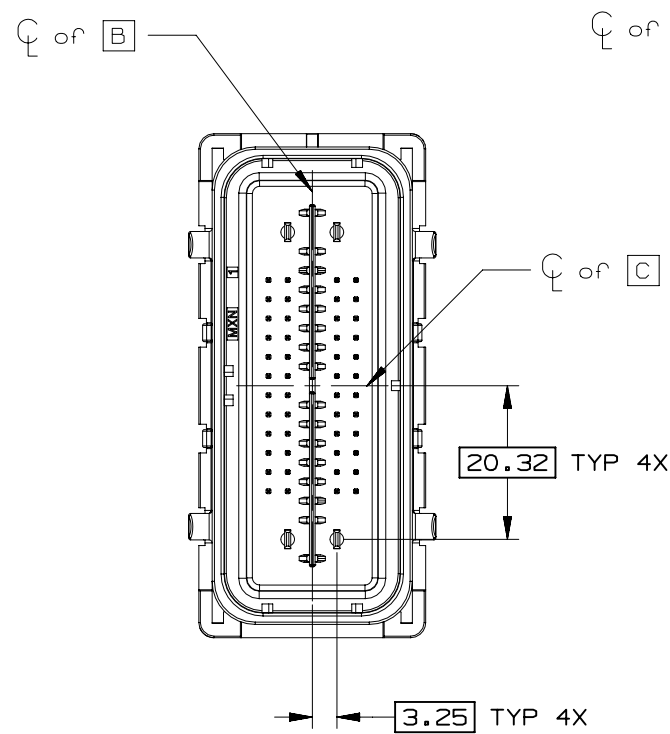


SECTION BB-BB

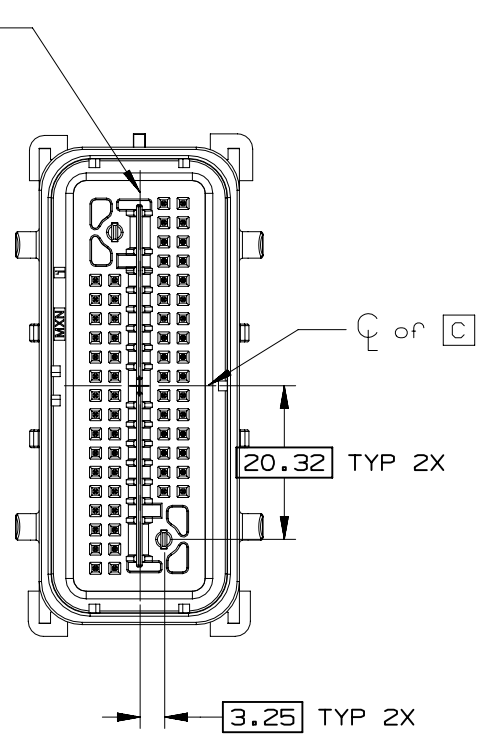


SECTION U-U TYPICAL

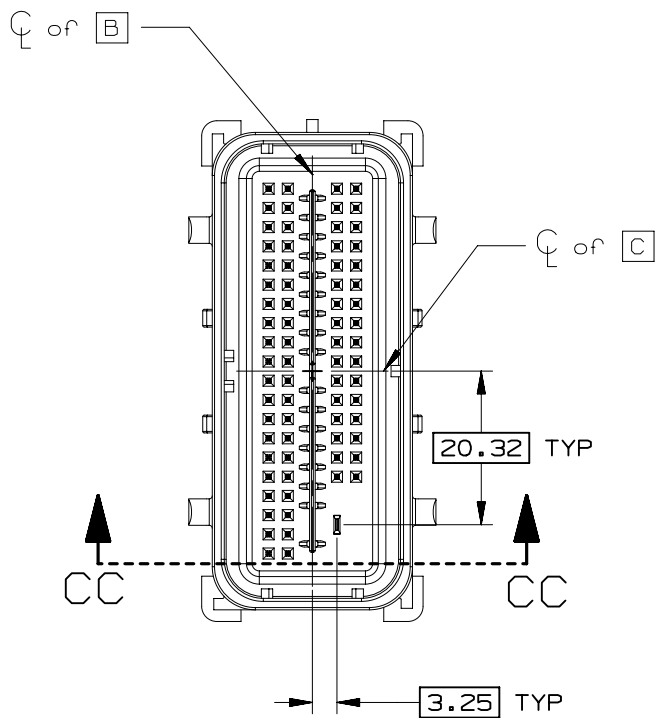




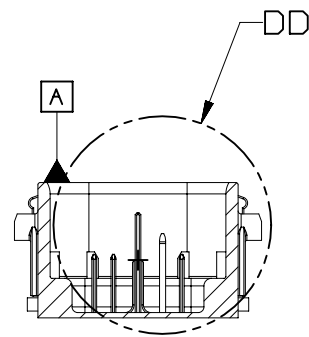
52 CKT COMPONENT
CONNECTOR INTERFACE



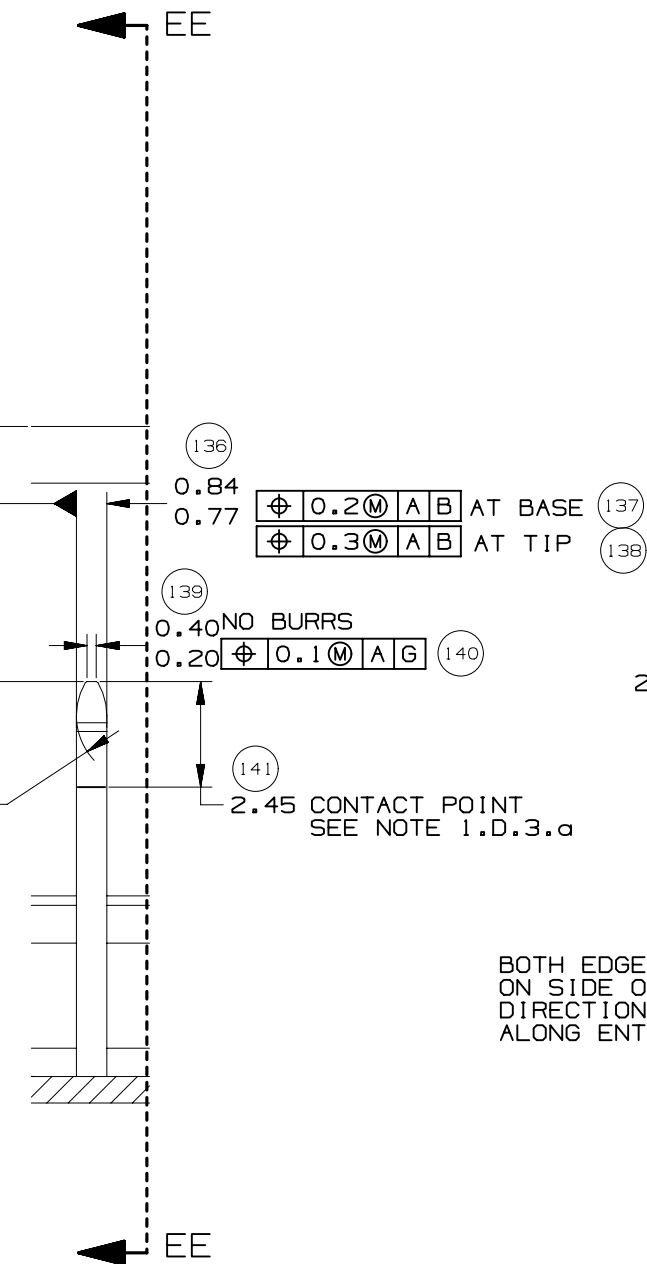
66 CKT COMPONENT
CONNECTOR INTERFACE



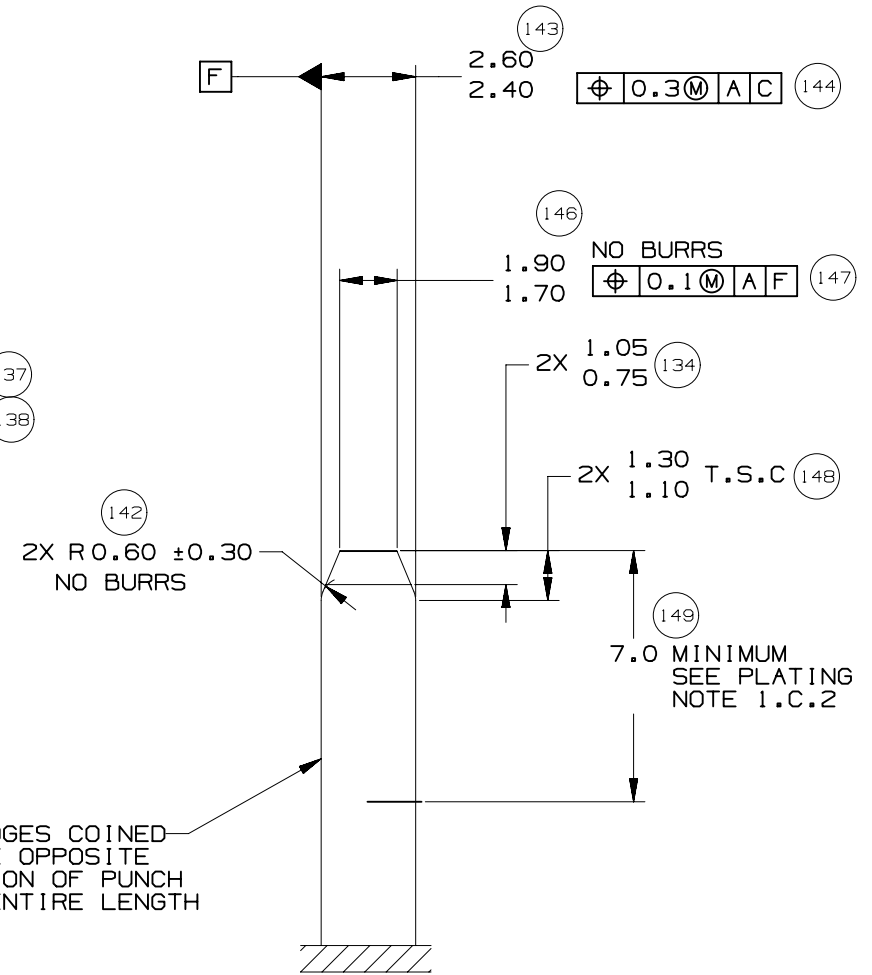
73 CKT COMPONENT
CONNECTOR INTERFACE



SECTION CC-CC



DETAIL DD
TYPICAL
SCALE 5:1



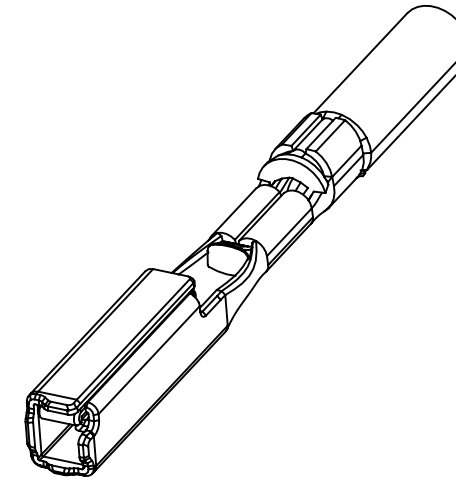
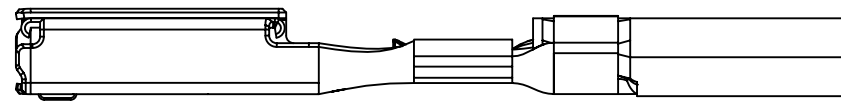
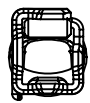
SECTION EE-EE
TYPICAL

BOTH EDGES COINED
ON SIDE OPPOSITE
DIRECTION OF PUNCH
ALONG ENTIRE LENGTH



MOLEX MX64 RECEPTACLE TERMINAL INFORMATION

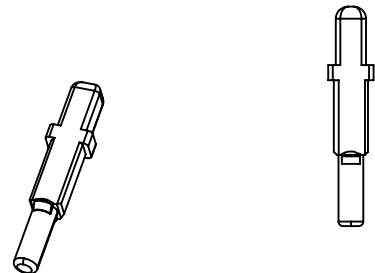
ITEM	MOLEX P/N	GM P/N	WIRE SIZE MM2	TYPE	PLATING	REEL WIND DIRECTION	COMMENTS
1	34736-0025		0.35	ISO	SILVER	LEFT	
2	34736-0026	12672850	0.35	ISO	SILVER	RIGHT	
3	34736-0027		0.5 / 0.75	ISO	SILVER	LEFT	
4	34736-0028	12672851	0.5 / 0.75	ISO	SILVER	RIGHT	



CAVITY PLUGS

ITEM	MFG	MFG P/N	GM P/N RD	SIZE	COLOR	MFG DRAWING	PROD SPEC	APP SPEC	COMMENTS
1	MOLEX	34586-0001	12674820	0.64	NATURAL	SD-34586-001	PS-34566-0000	AS-34566-001	
2	YAZAKI	7158-3114-90	12674821	2.8	BLUE	7158-3114-90	YPES-11-04-062	YPES-15-299	

ITEM 1



ITEM 2



PAGE TITLE
ADDITIONAL COMPONENTS REQUIRED

DRAWING NUMBER
12672833

DWG STATUS		
ST	REV	PD1
R	001	

PAGE NUMBER
22 OF 22

MX123 52/66/73/80-WAY RECEPTACLE ASSY SEALED PIN OUT SHEET

UNCHECKED cavity number(s) are OPEN																																		
72	71	70	69	68	67	66	65	64	63	62	61	60	59	58	57	56	55	54	53															
<input checked="" type="checkbox"/>	<input checked="" type="checkbox"/>	<input checked="" type="checkbox"/>	<input type="checkbox"/>	<input type="checkbox"/>	<input type="checkbox"/>	<input checked="" type="checkbox"/>	<input type="checkbox"/>	<input type="checkbox"/>	<input checked="" type="checkbox"/>	<input checked="" type="checkbox"/>	<input checked="" type="checkbox"/>	<input checked="" type="checkbox"/>	<input checked="" type="checkbox"/>	<input type="checkbox"/>	<input checked="" type="checkbox"/>	<input checked="" type="checkbox"/>	<input checked="" type="checkbox"/>	<input checked="" type="checkbox"/>	<input checked="" type="checkbox"/>	<input checked="" type="checkbox"/>	<input checked="" type="checkbox"/>	<input checked="" type="checkbox"/>												
52	51	50	49	48	47	46	45	44	43	42	41	40	39	38	37	36	35	34	33															
<input checked="" type="checkbox"/>	<input checked="" type="checkbox"/>	<input checked="" type="checkbox"/>	<input checked="" type="checkbox"/>	<input checked="" type="checkbox"/>	<input checked="" type="checkbox"/>	<input checked="" type="checkbox"/>	<input type="checkbox"/>	<input type="checkbox"/>	<input checked="" type="checkbox"/>	<input checked="" type="checkbox"/>	<input checked="" type="checkbox"/>	<input checked="" type="checkbox"/>	<input checked="" type="checkbox"/>	<input checked="" type="checkbox"/>	<input checked="" type="checkbox"/>	<input checked="" type="checkbox"/>	<input checked="" type="checkbox"/>	<input checked="" type="checkbox"/>	<input checked="" type="checkbox"/>	<input checked="" type="checkbox"/>	<input checked="" type="checkbox"/>	<input checked="" type="checkbox"/>												
												32	31	30	29	28	27	26	25	24	23	22	21	20	19	18	17							
												<input type="checkbox"/>	<input checked="" type="checkbox"/>	<input type="checkbox"/>	<input type="checkbox"/>	<input type="checkbox"/>	<input checked="" type="checkbox"/>	<input checked="" type="checkbox"/>	<input checked="" type="checkbox"/>	<input checked="" type="checkbox"/>	<input checked="" type="checkbox"/>	<input checked="" type="checkbox"/>	<input checked="" type="checkbox"/>	<input checked="" type="checkbox"/>	<input checked="" type="checkbox"/>	<input checked="" type="checkbox"/>	<input checked="" type="checkbox"/>	<input checked="" type="checkbox"/>	<input checked="" type="checkbox"/>	<input checked="" type="checkbox"/>	<input checked="" type="checkbox"/>	<input checked="" type="checkbox"/>	<input checked="" type="checkbox"/>	
												<input checked="" type="checkbox"/>	16	15	14	13	12	11	10	9	8	7	6	5	4	3	2	1						
												<input checked="" type="checkbox"/>	<input type="checkbox"/>	<input checked="" type="checkbox"/>	<input type="checkbox"/>	<input checked="" type="checkbox"/>	<input checked="" type="checkbox"/>	<input type="checkbox"/>	<input checked="" type="checkbox"/>	<input checked="" type="checkbox"/>	<input checked="" type="checkbox"/>	<input checked="" type="checkbox"/>	<input checked="" type="checkbox"/>	<input checked="" type="checkbox"/>	<input checked="" type="checkbox"/>	<input checked="" type="checkbox"/>	<input checked="" type="checkbox"/>	<input checked="" type="checkbox"/>	<input checked="" type="checkbox"/>	<input checked="" type="checkbox"/>	<input checked="" type="checkbox"/>	<input checked="" type="checkbox"/>	<input checked="" type="checkbox"/>	

FOR ADDITIONAL INFORMATION SEE SD-34566-001

STATUS	GM PART #	HRNS CONN ASSY			TPA	GROMMET CAP																							
		MATERIAL/PART	WIRE DRESS OPTION	KEY OPTION	COLOR OPTION	NUMBERS INDICATE CAVITIES OPEN FOR CIRCUITS																							
		NUMBER		OPTION ▽ Fp	OPTION ▽ Fp	▽ Fp																							
SALEABLE	12672860	34566-0103	0	A	BLACK																								
SALEABLE	12672862	34566-0203	0	B	ST GRY	72	71	70	69	68	67	66	65	64	63	62	61	60	59	58	57	56	55	54	53				
SALEABLE	12672864	34566-0303	0	C	BLUE	52	51	50	49	48	47	46	45	44	43	42	41	40	39	38	37	36	35	34	33				
TOOL DES. REL.	12615660	34566-0403	0	D	BROWN	73				32	31	30	29	28	27	26	25	24	23	22	21	20	19	18	17				
TOOL DES. REL.	12615661	34566-0503	0	E	GREEN	73				16	15	14	13	12	11	10	9	8	7	6	5	4	3	2	1				
SALEABLE	12672866	34566-0603	0	F	NATURAL																								
SALEABLE	12672872	34566-0703	0	G	BLUE																								
SALEABLE	12672870	34566-0803	0	H	ST GRY	80	79	78	77	76	75	74	73	72	71	70	69	68	67	66	65	64	63	62	61				
TOOL DES. REL.	12672868	34566-0903	0	J	BLACK	60	61	62	63	64	65	66	67	68	69	70	71	72	73	74	75	76	77	78	79				
TOOL DES. REL.	TBD	34566-1003	0	K	BROWN	40	39	38	37	36	35	34	33	32	31	30	29	28	27	26	25	24	23	22	21				
TOOL DES. REL.	TBD	34566-1103	0	L	GREEN	20	19	18	17	16	15	14	13	12	11	10	9	8	7	6	5	4	3	2	1				
TOOL DES. REL.	TBD	34566-1203	0	M	NATURAL																								
SALEABLE	12672861	34566-1303	9	A	BLACK																								
SALEABLE	12672863	34566-1403	9	B	ST GRY	72	71	70	69	68	67	66	65	64	63	62	61	60	59	58	57	56	55	54	53				
SALEABLE	12672865	34566-1503	9	C	BLUE	52	51	50	49	48	47	46	45	44	43	42	41	40	39	38	37	36	35	34	33				
TOOL DES. REL.	12615663	34566-1603	9	D	BROWN	73				32	31	30	29	28	27	26	25	24	23	22	21	20	19	18	17				
TOOL DES. REL.	12615664	34566-1703	9	E	GREEN	73				16	15	14	13	12	11	10	9	8	7	6	5	4	3	2	1				
SALEABLE	12672867	34566-1803	9	F	NATURAL																								
SALEABLE	12672873	34566-1903	9	G	BLUE																								
SALEABLE	12672871	34566-2003	9	H	ST GRY	80	79	78	77	76	75	74	73	72	71	70	69	68	67	66	65	64	63	62	61				
TOOL DES. REL.	12672869	34566-2103	9	J	BLACK	60	61	62	63	64	65	66	67	68	69	70	71	72	73	74	75	76	77	78	79				
TOOL DES. REL.	TBD	34566-2203	9	K	BROWN	40	39	38	37	36	35	34	33	32	31	30	29	28	27	26	25	24	23	22	21				
TOOL DES. REL.	TBD	34566-2303	9	L	GREEN	20	19	18	17	16	15	14	13	12	11	10	9	8	7	6	5	4	3	2	1				
TOOL DES. REL.	TBD	34566-2403	9	M	NATURAL																								
SALEABLE	12672856	34822-0013	0	A	BLACK	64	63	62	61	60	59	58	57	56	55	54	53	52	51	50	49	66							
						48	47	46	45	44	43	42	41	40	39	38	37	36	35	34	33								
SALEABLE	12672858	34822-0033	0	C	BLUE	65				32	31	30	29	28	27	26	25	24	23	22	21	20	19	18	17				
						65				16	15	14	13	12	11	10	9	8	7	6	5	4	3	2	1				
SALEABLE	12672857	34822-0023	9	A	BLACK	64	63	62	61	60	59	58	57	56	55	54	53	52	51	50	49	66							
						48	47	46	45	44	43	42	41	40	39	38	37	36	35	34	33								
SALEABLE	12672859	34822-0043	9	C	BLUE	65				32	31	30	29	28	27	26	25	24	23	22	21	20	19	18	17				
						65				16	15	14	13	12	11	10	9	8	7	6	5	4	3	2	1				

MX123 52/66/73/80-WAY RECEPTACLE ASSY SEALED PIN OUT SHEET

STATUS	GM PART #	HRNS CONN ASSY			TPA	GROMMET CAP																																																																			
		MATERIAL/PART	WIRE DRESS OPTION	KEY OPTION ▽ Fp	COLOR OPTION ▽ Fp	NUMBERS INDICATE CAVITIES OPEN FOR CIRCUITS																																																																			
		NUMBER				▽ Fp																																																																			
TOOL DES. REL.	12672852	160094-0001	0	A	BLACK	<table border="1"> <tr> <td rowspan="2">52</td> <td>14</td><td>13</td><td>12</td><td>11</td><td>10</td><td>9</td><td>8</td><td>7</td><td>6</td><td>5</td><td>4</td><td>3</td> <td rowspan="2">2</td> </tr> <tr> <td>26</td><td>25</td><td>24</td><td>23</td><td>22</td><td>21</td><td>20</td><td>19</td><td>18</td><td>17</td><td>16</td><td>15</td> </tr> <tr> <td rowspan="2">51</td> <td>38</td><td>37</td><td>36</td><td>35</td><td>34</td><td>33</td><td>32</td><td>31</td><td>30</td><td>29</td><td>28</td><td>27</td> <td rowspan="2">1</td> </tr> <tr> <td>50</td><td>49</td><td>48</td><td>47</td><td>46</td><td>45</td><td>44</td><td>43</td><td>42</td><td>41</td><td>40</td><td>39</td> </tr> </table>																52	14	13	12	11	10	9	8	7	6	5	4	3	2	26	25	24	23	22	21	20	19	18	17	16	15	51	38	37	36	35	34	33	32	31	30	29	28	27	1	50	49	48	47	46	45	44	43	42	41	40	39
52	14	13	12	11	10																		9	8	7	6	5	4	3	2																																											
	26	25	24	23	22																	21	20	19	18	17	16	15																																													
51	38	37	36	35	34																	33	32	31	30	29	28	27	1																																												
	50	49	48	47	46																	45	44	43	42	41	40	39																																													
TOOL DES. REL.	N/A	160094-0002	0	B	ST GRN																																																																				
TOOL DES. REL.	12672854	160094-0003	0	C	BLUE																																																																				
TOOL DES. REL.	N/A	160094-0004	0	D	BROWN																																																																				
TOOL DES. REL.	N/A	160094-0005	0	E	GREEN																																																																				
TOOL DES. REL.	N/A	160094-0006	0	F	NATURAL																																																																				
TOOL DES. REL.	12672853	160094-0013	9	A	BLACK	<table border="1"> <tr> <td rowspan="2">52</td> <td>14</td><td>13</td><td>12</td><td>11</td><td>10</td><td>9</td><td>8</td><td>7</td><td>6</td><td>5</td><td>4</td><td>3</td> <td rowspan="2">2</td> </tr> <tr> <td>26</td><td>25</td><td>24</td><td>23</td><td>22</td><td>21</td><td>20</td><td>19</td><td>18</td><td>17</td><td>16</td><td>15</td> </tr> <tr> <td rowspan="2">51</td> <td>38</td><td>37</td><td>36</td><td>35</td><td>34</td><td>33</td><td>32</td><td>31</td><td>30</td><td>29</td><td>28</td><td>27</td> <td rowspan="2">1</td> </tr> <tr> <td>50</td><td>49</td><td>48</td><td>47</td><td>46</td><td>45</td><td>44</td><td>43</td><td>42</td><td>41</td><td>40</td><td>39</td> </tr> </table>																52	14	13	12	11	10	9	8	7	6	5	4	3	2	26	25	24	23	22	21	20	19	18	17	16	15	51	38	37	36	35	34	33	32	31	30	29	28	27	1	50	49	48	47	46	45	44	43	42	41	40	39
52	14	13	12	11	10																		9	8	7	6	5	4	3	2																																											
	26	25	24	23	22																	21	20	19	18	17	16	15																																													
51	38	37	36	35	34																	33	32	31	30	29	28	27	1																																												
	50	49	48	47	46																	45	44	43	42	41	40	39																																													
TOOL DES. REL.	N/A	160094-0014	9	B	ST GRN																																																																				
TOOL DES. REL.	12672855	160094-0015	9	C	BLUE																																																																				
TOOL DES. REL.	N/A	160094-0016	9	D	BROWN																																																																				
TOOL DES. REL.	N/A	160094-0017	9	E	GREEN																																																																				
TOOL DES. REL.	N/A	160094-0018	9	F	NATURAL																																																																				
NA	NA	NA	NA	NA	NA	<table border="1"> <tr> <td colspan="16">73</td> </tr> </table>																73																																																			
73																																																																									
SALEABLE	NOT APPLICABLE	34566-2503	0	A	BLACK	72	71	70	69	68	67	66	65	64	63	62	61	60	59	58	57	56	55	54	53																																																
									50	49	48	47	46	45	44	43	42	41	40	39	38	37	36	35	33																																																
						73																																																																			
											32	31	30	29	28	27	26	25	24	23	22	21	20	19	17																																																
												14	13	12	11	10	9	8	7	6	5	4	3	2	1																																																
SALEABLE	NOT APPLICABLE	34566-2603	0	B	ST GRN				49	48	47	46	45	44	43	42	41	40	39	38	37	36	35	33																																																	
						73																																																																			
																			7																																																						
SALEABLE	NOT APPLICABLE	34566-2703	0	B	ST GRN				49	48	47	46	45	44	43	42	41	40	39	38	37	36	35	33																																																	
						73																																																																			
																				7																																																					
SALEABLE	TBD	34566-2803	0	H	ST GRN																																																																				
SALEABLE	NOT APPLICABLE	34566-2903	0	A	BLACK	72	71	70	69	68	67	66	65	64	63	62	61	60	59	58	57	56	55	54	53																																																
						52	51	50	49	48	47	46	45	44	43	42	41	40	39	38	37	36	35	34	33																																																
						73																																																																			
											32	31	30	29	28	27	26	25	24	23	22	21	20	19	17																																																
												16	15	14	13	12	11	10	9	8	7	6	5	4	3	2	1																																														
SALEABLE	NOT APPLICABLE	34566-3003	0	A	BLACK	72	71	70	69	68	67	66	65	64	63	62	61	60	59	58	57	56	55	54	53																																																
						52	51	50	49	48	47	46	45	44	43	42	41	40	39	38	37	36	35	34	33																																																
						73																																																																			
											32	31	30	29	28	27	26	25	24	23	22	21	20	19	18	17																																															
												16	15	14	13	12	11	10	9	8	7	6	5	4	3	2	1																																														
SALEABLE	NOT APPLICABLE	34566-3103	0	B	ST GRN				49	48	47	46	45	44	43	42	41	40	39	38	37	36	35	33																																																	
						73																																																																			
																			9	8	7	6	5	4	3	2	1																																														
SALEABLE	NOT APPLICABLE	34566-3203	0	B	ST GRN				50	49	48	47	46	45	44	43	42	41	40	39	38	37	36	35	34	33																																															
						73																																																																			
																				7	6	5	4	3	2	1																																															
SALEABLE	NOT APPLICABLE	34566-3303	0	B	ST GRN				50	49	48	47	46	45	44	43	42	41	40	39	38	37	36	35	34	33																																															
						73																																																																			
																				7	6	5	4	3	2	1																																															
SALEABLE	NOT APPLICABLE	34566-3403				SEE 34566-3003																																																																			
SALEABLE	NOT APPLICABLE	34566-3503	0	A	BLACK	72	71	70	69	68	67	66	65	64	63	62	61	60	59	58	57	56	55	54	53																																																
						52	51	50	49	48	47	46	45	44	43	42	41	40	39	38	37	36	35	34	33																																																
						73																																																																			
																				24	23	22	21	20	19	17																																															
													14	13	12	11	10	9	8	7	6	5	4	3	2	1																																															

MX123 52/66/73/80-WAY RECEPTACLE ASSY SEALED PIN OUT SHEET

STATUS	GM PART #	HRNS CONN ASSY			TPA	GROMMET CAP																							
		MATERIAL/PART	WIRE DRESS OPTION	KEY OPTION Fp	COLOR OPTION Fp	NUMBERS INDICATE CAVITIES OPEN FOR CIRCUITS																							
		NUMBER				Fp																							
SALEABLE	NOT APPLICABLE	34566-8103	0	H	ST GRY			78							72	71	70	69	68		66	65	64	63		61			
						60	59	58	57	56			53	52		50										44	43		41
						40			37		35	34	33	32		30	29					27	26			24		22	21
						20	19	18	17	16				13	12							8		6	5			3	2
SALEABLE	NOT APPLICABLE	34566-8203	0	A	BLACK			70			67	66								58		56	55	54					
										47			44	43	42	41		39					37	36		34			
						73					31	30			27		25	24						21	20	19	18		
													13										6	5	4	3			1
SALEABLE	NOT APPLICABLE	34566-8303	0	A	BLACK	72	71		69	68	67	66		64	63	62				59	58	57	56		54	53			
						52	51	50	49	48	47	46		44	43	42					39	38	37	36	35	34	33		
						73					32	31	30	29		27			24	23	22	21	20	19		17			
											15	14	13	12	11			9	8	7	6	5	4	3	2	1			
SALEABLE	NOT APPLICABLE	34566-8403	0	B	ST GRY			50	49	48		46							59		57		55		53				
										32			29					24	23		21				35		33		
						73																7	6	5	4	3			
SALEABLE	NOT APPLICABLE	34566-8503	0	B	ST GRY	72	71	70	69	68	67	66	65	64	63	62			60	59					55	54	53		
						52			49	48				44	43	42					39					35	34	33	
						73					32			29		27			24	23						19	18	17	
													13	12	11			9	8	7	6	5	4	3	2	1			
SALEABLE	NOT APPLICABLE	34566-8603	0	A	BLACK				69	68		66		64					59		57		55		53				
									49	48		46		44					39	38	37		35		33				
						73							29	28					23		21					18	17		
														12	11	10				7									
SALEABLE	NOT APPLICABLE	34566-8703	0	B	ST GRY				69	68		66		64					59		57		55		53				
								50	49	48	47		44					39		37		35		33					
						73							29	28					23		21					17			
													15		12	11	10			7	6	5	4	3					
SALEABLE	NOT APPLICABLE	34566-8803	0	B	ST GRY					68	67	66	65					59	58	57				54	53				
							51	50	49	48		46	45		43	42		40	39	38	37					33			
						73					32	31	30			26		24	23	22		20							
											16			13		10	9	8	7	6	5	4							
SALEABLE	NOT APPLICABLE	34566-8903	0	H	ST GRY			78							71	70	69	68	67	66	65	64	63		61				
								58	57	56			53	52		51	50								44	43		41	
						40			37		35	34	33	32		30	29				27	26					22	21	
						20	19	18	17	16		14		12		10	9	8	7	6	5					3	2	1	
SALEABLE	NOT APPLICABLE	34566-9003	0	B	ST GRY				69	68		66		64					59		57		55		53				
									49	48		46		44					39		37		35		33				
						73							29	28					23		21					18			
																11	10			7									
SALEABLE	NOT APPLICABLE	34566-9103	0	A	BLACK					68			65		63		61		59	58		56			53				
						52	51	50			47					41			38	37	36	35	34	33					
						73					32	31	30	29	28	27		25	24	23	22	21	20	19	18	17			
											16	15	14	13	12	11	10	9										1	
SALEABLE	NOT APPLICABLE	34566-9203	0	A	BLACK	72	71	70	69	68	67	66		64	63	62			60	59					55	54	53		
						52			49	48				44	43	42			40	39	38					35	34	33	
						73							30	29	28	27			24	23						19	18	17	
											16			13	12	11		9	8	7	6	5	4	3	2	1			
SALEABLE	NOT APPLICABLE	34566-9303	0	A	BLACK	72	71		69	68	67	66		64	63	62				59	58	57	56	55	54	53			
						52	51	50	49	48	47	46		44	43	42				39	38	37	36	35	34	33			
						73					32	31	30	29		27			24	23	22	21	20	19		17			
											15	14	13	12	11			9	8	7	6	5	4	3	2	1			
SALEABLE	NOT APPLICABLE	34566-9403	0	B	ST GRY					68	67	66	65			43	42	41	40	39	38	37		35		33			
							51	50	49	48		46	45																
						73					32	31	30					26		24	23	22		20					
											16			13				10	9	8	7	6	5	4					
SALEABLE	NOT APPLICABLE	34566-9503	0	A	BLACK	72	71	70	69	68			65	64	63			61		59	58	57	56						
						52	51		49		47						41			38	37	36			34	33			
						73					32	31	30	29	28	27			24	23					20	19	18	17	
											16			13	12	11		10	9										

MX123 52/66/73/80-WAY RECEPTACLE ASSY SEALED PIN OUT SHEET

STATUS	GM PART #	HRNS CONN ASSY			TPA	GROMMET CAP																		
		MATERIAL/PART	WIRE DRESS OPTION	KEY OPTION Fp	COLOR OPTION Fp	NUMBERS INDICATE CAVITIES OPEN FOR CIRCUITS																		
		NUMBER				Fp																		
SALEABLE	NOT APPLICABLE	34566-9603	0	A	BLACK	52	71	70	69	68	66	65	64	63	61	59	58	57	56	35	34	33		
						73			32	31	30	29	28	27	24	23	20	19	18	17				
						73			16	15	14	13	12	11	10	9								
SALEABLE	NOT APPLICABLE	34566-9703	0	A	BLACK	72	71	70	69	68		65	64	63	61	59	57	56						
						52	51	50	49		47				41		38	37	36		34	33		
						73			32	31	30	29	28	27	24	23		20	19	18				
SALEABLE	NOT APPLICABLE	34566-9803	0	A	BLACK	72	71	70	69	68		65	64	63	61	59	57	56						
						52	51	50	49		47				41		38	37	36		34	33		
						73			32	31	30	29	28	27	24	23		20	19	18				
SALEABLE	NOT APPLICABLE	34566-9903	0	A	BLACK	71			69	68		65	64	63	61	59	58	57	56					
						52		50	49		47				41		38	37	36		34	33		
						73			32	31	30	29	28	27	24	23		20	19	18			1	
SALEABLE	NOT APPLICABLE	34566-1013	0	A	BLACK	71			69	68		65	64	63	61	59	58	57	56					
						52		50	49		47				41		38	37	36		34	33		
						73			32	31	30	29	28	27	24	23		20	19	18			1	
SALEABLE	NOT APPLICABLE	34566-1023	0	A	BLACK		71		69	68		65	64	63	61	59	58	57	56					
								50	49		47				41		39	37	36		35	54		
						73			32		30			27	25	24		21	20	19	18	17		
SALEABLE	NOT APPLICABLE	34566-1033	0	A	BLACK			70		67	66	65				58	57		55	54				
								50	49		47		44	43	42	41		39	37		35			
						73			32		30			27	25	24		21	20	19	18	17		
SALEABLE	NOT APPLICABLE	34566-1043	0	B	ST GRAY		71	70		68		66	65			59	58	57		54	53			
							51	50	49	48		46	45		43	41	40	39	38	37	36	35	33	
						73			32	31	30				24	23	22		20					
SALEABLE	NOT APPLICABLE	34566-1053	0	H	ST GRAY		79	78	77	76	75	74	73	72	71	70	69	68	66	65	64	63	61	
						60	59	58	57	56			53	52		50				44	43		41	
						40	39	38	37		35	34	33	32		30	29		27	26				22
SALEABLE	NOT APPLICABLE	34566-1063	0	B	ST GRAY				49	48	47		44			40	39		37	36	35	33		
						73						29	28			24	23		21					2
						72	71	70	69	68	67	66	65	64	63		61	59	58	57	56		54	
SALEABLE	NOT APPLICABLE	34566-1073	0	A	BLACK			50	49	48	47				42	41		38	37	36		34	33	
						73			32	31	30	29	28	27	26		24	23		20	19	18		
										68	67	66	65	64				59	58	57		55	54	53
SALEABLE	NOT APPLICABLE	34566-1083	0	B	ST GRAY		51	50	49	48		46	45		43	42	41	40	39	38	37	35	33	
						73			32	31	30			26	24	23	22		20					
										68	67	66	65	64				59	58	57		55	54	53
SALEABLE	NOT APPLICABLE	34566-1093	0	A	BLACK			70		68	67	66				61		58	57		55	54		
									49		47		44	43	42	41		39		37	36		34	
						73				31	30			27		25	24		21	20	19	18		
SALEABLE	NOT APPLICABLE	34566-1123	0	H	ST GRAY			78					72	71	70	69	68	67	66	65	64	63	61	
								58	57	56			53	52	51	50				44	43		41	
						40			37		35	34	33	32		30	29		27	26				22
SALEABLE	NOT APPLICABLE	34566-1133	0	A	BLACK			70		68	67	66				61		58	57		55	54		
									49		47		45	44	43	42	41		39		37		34	
						73			32		30			27		25	24		21	20	19	18		

MX123 52/66/73/80-WAY RECEPTACLE ASSY SEALED PIN OUT SHEET

STATUS	GM PART #	HRNS CONN ASSY			TPA	GROMMET CAP																							
		MATERIAL/PART	WIRE DRESS OPTION	KEY OPTION Fp	COLOR OPTION Fp	NUMBERS INDICATE CAVITIES OPEN FOR CIRCUITS																							
		NUMBER				Fp																							
SALEABLE	NOT APPLICABLE	34566-1143	0	A	BLACK	52		50		68			65		63		61		59	58		56			53				
										47									41			38	37		36	35		34	33
						73			32	31	30	29	28	27		25	24	23	22	21	20	19	18	17				1	
SALEABLE	NOT APPLICABLE	34566-1153	0	A	BLACK			70				67	66	65						58	57		55						
								49				47			44	43	42	41		39		37							
						73			32		30			27		25	24	23		21	20	19	18					1	
SALEABLE	NOT APPLICABLE	34566-1163	0	H	ST GRAY			78						72	71	70	69	68		66	65	64	63		61				
						60	59	58	57	56			53	52		50								44	43		41		
						40			37		35	34		32		30	29		27	26							22	21	
SALEABLE	NOT APPLICABLE	34566-1173	0	A	BLACK	20	19	18	17	16			13	12				8		6	5		3	2					
						72	71		69	68			65	64	63	62	61	60	59	58		56		54		34	33		
						52		50	49	48	47		45			42	41		38	37	36		34	33					
SALEABLE	NOT APPLICABLE	34566-1183	0	B	ST GRAY	73			32	31	30	29	28	27	26		24	23		20	19	18	17						
SALEABLE	NOT APPLICABLE	34566-1193	0	A	BLACK				49	48	47			44		42			39		37		35		33				
						73							29	28				23		21							17		
SALEABLE	NOT APPLICABLE	34566-1213	0	A	BLACK	72	71		69	68	67	66		64	63	62		60	59					54	53				
						52			49	48		46		44	43	42			39							34	33		
						73			32			29		27				23										17	
SALEABLE	NOT APPLICABLE	34566-1223	0	B	ST GRAY	72	71		69	68	67	66		64	63	62		59						54	53				
						52			48		46		44	43	42			39									33		
						73			32			29		27				23										17	
SALEABLE	NOT APPLICABLE	34566-1233	0	B	ST GRAY					67	66	65		63	62			59		57		55		53					
									48				43	42			39		37		35		33						
						73							29		27	26		23		21							17		
SALEABLE	NOT APPLICABLE	34566-1243	0	B	ST GRAY							65			62			59		57		55		53					
									48		46			42			39		37		35		33						
						73							29		26			23		21							17		
SALEABLE	NOT APPLICABLE	34566-1253	9	B	ST GRAY			50		48		46					39		37		35		33						
						73							29				23		21										
SALEABLE	NOT APPLICABLE	34566-1263	9	A	BLACK				49	48		46				60	59		57		55		53						
						73											40	39		37		35		33					
																		24	23		21						2		
SALEABLE	NOT APPLICABLE	34566-1273	0	A	BLACK	NUMBERS IN BOLD MUST USE SAE WIRE MEETING SAE J1128, WIRE SIZE (NO.20) OR (NO.18 MAX. O.D. OF 2.06 MM) PER G.M. DRAWING NUMBER 12582682.																							
						72	71		69	68	67	66		64	63	62			59				56			53			
								50		48		46		44	43	42			39				36	35		33			
SALEABLE	NOT APPLICABLE	34566-1283	0	A	BLACK	73			32		30	29	28	27		24	23		20			17							

MX123 52/66/73/80-WAY RECEPTACLE ASSY SEALED PIN OUT SHEET

STATUS	GM PART #	HRNS CONN ASSY			TPA	GROMMET CAP																				
		MATERIAL/PART	WIRE DRESS OPTION	KEY OPTION Fp	COLOR OPTION Fp	NUMBERS INDICATE CAVITIES OPEN FOR CIRCUITS																				
		NUMBER				Fp																				
SALEABLE	NOT APPLICABLE	34566-1293	0	A	BLACK	52		50		68			65		63		61		59	58		56			34	33
						73				32	31	30	29	28	27			24	23			20	19	18	17	
						73				16			13	12	11	10	9									1
SALEABLE	NOT APPLICABLE	34566-1313	0	H	ST GRAY	80		78					72	71	70	69	68		66	65	64	63		61		
								58	57	56	55	54	53							46		44	43	42		
						40			37		35			32		30	29		27	26						
SALEABLE	NOT APPLICABLE	34566-1323	0	A	BLACK	72	71	70	69	68	67	66	65	64	63	62		60	59	58	57	56	55	54	53	
						52	51	50	49	48	47	46	45	44	43	42	41	40	39	38	37	36	35	34	33	
						73				32	31	30	29	28	27			25	24	23	22	21	20	19	18	17
SALEABLE	NOT APPLICABLE	34566-1333	0	A	BLACK			70	69	68			65	64				59	58		56					
						52		50	49		47					41			38	37	36		34			
						73				32	31	30	29	28	27			23					20	19	18	17
SALEABLE	NOT APPLICABLE	34566-1343	0	A	BLACK																					
								70	69	68																
						73				32	31	30	29	28	27			23								
SALEABLE	NOT APPLICABLE	34566-1353	0	H	ST GRAY	72	71		69		67		65	64	63			59	58	57	56					
								50	49	48	47					41			38	37	36		34			
						73				32	31	30	29	28	27			23								
SALEABLE	NOT APPLICABLE	34566-1363	0	A	BLACK																					
								70	69	68	67	66		64	63	62		59								
						73				32			29		27			24	23							
SALEABLE	NOT APPLICABLE	34566-1373	0	B	ST GRAY							66	65			62		59		57		55		53		
										48		46			42		39		37		35		33			
						73							29		26		23		21							
SALEABLE	NOT APPLICABLE	34566-1383	0	B	ST GRAY																					
								49	48	47	46							59	58	57		55		53		
						73							29					23	22	21						
SALEABLE	NOT APPLICABLE	34566-1393	0	A	BLACK			70			67	66				61		58	57		55	54				
										47		45	44	43	42	41		39		37		34				
						73				32		30			27		25	24			21	20	19	18		
SALEABLE	NOT APPLICABLE	34566-1423	0	B	ST GRAY																					
							51	50	49	48	47	46	45		43	42	41	40	39	38	37		35	34	33	
						73				32	31	30				26		24	23	22	21	20				
SALEABLE	NOT APPLICABLE	34566-1433	0	B	ST GRAY																					
								49	48		46							59		57		55		53		
						73				32			29					23		21				18	17	
SALEABLE	NOT APPLICABLE	34566-1443	0	B	ST GRAY				69	68		66						59		57		55		53		
								49	48		46							39		37		35		33		
						73							29					23		21						
SALEABLE	NOT APPLICABLE	34566-1453	0	B	ST GRAY																					
								49	48	47			44		42		39		37		35		33			
						73							29	28	26		23		21							
SALEABLE	NOT APPLICABLE	34566-1463	0	A	BLACK				69	68		65	64	63	62	61	60	59	58		56					
						52		50	49	48	47		45				41		38	37	36		34	33		
						73				32	31	30	29	28	27			24	23			20	19	18	17	

MX123 52/66/73/80-WAY RECEPTACLE ASSY SEALED PIN OUT SHEET

STATUS	GM PART #	HRNS CONN ASSY			TPA	GROMMET CAP																					
		MATERIAL/PART	WIRE DRESS OPTION	KEY OPTION Fp	COLOR OPTION Fp	NUMBERS INDICATE CAVITIES OPEN FOR CIRCUITS																					
		NUMBER				Fp																					
SALEABLE	NOT APPLICABLE	34566-1473	0	A	BLACK	72	71		69	68	67	66		64	63	62			59					54	53		
						52			49	48		46		44	43	42			39							34	33
						73				32			29		27			24	23								
SALEABLE	NOT APPLICABLE	34566-1483	0	A	BLACK	72	71		69	68			65	64	63		61		59	58		56					
						52		50	49		47					41			38	37	36				34	33	
						73				32	31	30	29	28	27			24	23					20	19	18	17
SALEABLE	NOT APPLICABLE	34566-1493	0	B	ST GRAY				68								59	58	57		55		53				
								49	48		46							39	38	37		35			33		
						73							29					23	22	21					18	17	
SALEABLE	NOT APPLICABLE	34566-1513	0	B	ST GRAY				68				65				59		57		55		53				
								49	48		46						39	37		35				33			
						73							29					23		21						17	
SALEABLE	NOT APPLICABLE	34566-1523	0	A	BLACK			70	69	68			65	64			59	58		56		54					
						52		50	49		47				42	41			38	37	36			34			
						73				32	31	30	29	28	27	26			23				20	19	18	17	
SALEABLE	NOT APPLICABLE	34566-1533	0	A	BLACK			70	69	68			65	64			59	58	57	56		54					
						52	51	50	49		47				42	41			38	37	36			34	33		
						73				32	31	30	29	28	27			24	23					3	2	1	
SALEABLE	NOT APPLICABLE	34566-1543	0	B	ST GRAY				69	68		66				59		57		55		53					
								49	48		46						39	37		35				33			
						73							29					23		21							
SALEABLE	12582677	34566-1553	0	A	BLACK																						
						73																					
TOOL DESIGN SALEABLE	NOT APPLICABLE	34566-1563	9	A	BLACK																						
73																											
TOOL DESIGN SALEABLE	NOT APPLICABLE	34566-1573	9	H	ST GRAY																						
73																											
SALEABLE	NOT APPLICABLE	34566-1583	0	A	BLACK			70			67	66	65			61		58	57		55	54					
								49		47		45	44	43	42	41		39		37			34				
						73				32		30			27		25	24			21	20	19	18	17		
SALEABLE	NOT APPLICABLE	34566-1593	0	B	ST GRAY				67		65				61	60	59	58	57		54	53					
							51	50	49	48	47	46	45		43	42		40	39		37			34	33		
						73				32	31	30			26		24	23	22	21	20						
SALEABLE	NOT APPLICABLE	34566-1613	0	H	ST GRAY		79	78	77	76	75	74	73	72	71	70	69	68		66	65	64	63	61			
						60	59	58	57	56			53			50							44	43		41	
						40	39	38	37		35	34	33	32		30	29		27	26			24	23	22	21	
SALEABLE	NOT APPLICABLE	34566-1623	0	B	ST GRAY						66	65			62		59		57		55		53				
									48	47				42		39		37		35					33		
						73							29			26		23		21						17	
SALEABLE	NOT APPLICABLE	34566-1633	0	B	ST GRAY				69	68		66				59		57		55		53					
								50		48	47					39		37		35					33		
						73							29			12	11	10		7	6	5	4	3		17	

MX123 52/66/73/80-WAY RECEPTACLE ASSY SEALED PIN OUT SHEET

STATUS	GM PART #	HRNS CONN ASSY			TPA	GROMMET CAP																							
		MATERIAL/PART	WIRE DRESS OPTION	KEY OPTION Fp	COLOR OPTION Fp	NUMBERS INDICATE CAVITIES OPEN FOR CIRCUITS																							
		NUMBER				Fp																							
SALEABLE	NOT APPLICABLE	34566-1643	0	B	ST GRAY				69	68		66							59		57		55		53				
								50		48		46									39		37		35		33		
						73								29								23		21				17	
SALEABLE	NOT APPLICABLE	34566-1653	0	B	ST GRAY							66							59		57		55		53				
								50		48		46									39		37		35		33		
						73								29								23		21				17	
SALEABLE	NOT APPLICABLE	34566-1663	0	B	ST GRAY							66							59		57		55		53				
								50		48		46									39		37		35		33		
						73								29								23		21				17	
SALEABLE	NOT APPLICABLE	34566-1673	0	A	BLACK	72	71	70	69	68	67	66	65	64	63	62		60	59					55	54	53			
						52			49	48			45	44	43	42	41	40	39							35	34	33	
						73								29								25	24	23				19	18
SALEABLE	NOT APPLICABLE	34566-1683	0	B	ST GRAY							67	66			63			59	58	57	56	55		53				
								50	49	48											39	38	37	36	35		33		
						73								29								23	22	21					
SALEABLE	NOT APPLICABLE	34566-1693	0	B	ST GRAY							66		64					59		57		55		53				
								49	48		46										39		37		35		33		
						73								29								23		21				17	
SALEABLE	NOT APPLICABLE	34566-1713	0	B	ST GRAY		71	70		68		66	65	64	63		60	59	58	57	56	55	54	53					
							51	50	49	48		46	45		43		41	40	39	38	37	36	35			33			
						73								32	31	30						24	23	22		20	19		
SALEABLE	NOT APPLICABLE	34566-1723	0	B	ST GRAY							67	66	65					59	58	57			54	53				
								51	50	49	48		46	45		43		41	40	39	38	37	36	35			33		
						73								32	31	30						24	23	22		20			
SALEABLE	NOT APPLICABLE	34566-1733	0	A	BLACK			70		68	67	66	65						58	57			55						
									49	48		47			44	43	42	41		39		37		35					
						73								32		30						25	24			21	20	19	18
SALEABLE	NOT APPLICABLE	34566-1743	0	A	BLACK			70		67	66	65							58	57			55						
									49	48		47			44	43	42	41		39		37		35					
						73								32		30						27	25	24		21	20	19	18
SALEABLE	NOT APPLICABLE	34566-1753	0	A	BLACK			70		67	66	65							58	57			55						
									49	48		47			44	43	42	41		39		37		35					
						73								32								27	25	24		21	20	19	18
SALEABLE	NOT APPLICABLE	34566-1763	0	B	ST GRAY							67		65				61	60	59	58	57		54	53				
								51	50	49	48	47	46	45		43			40	39		37				34	33		
						73								32	31	30					26		24	23	22	21	20		
SALEABLE	NOT APPLICABLE	34566-1773	0	C	BLUE	72		70				67	66			63	62			59		57			53				
						52	51					46		44		42		40	39								34	33	
						73								30								27	26	25		22	21	20	
SALEABLE	NOT APPLICABLE	34566-1783	0	C	BLUE							67	66			63	62			59		57			53				
								51				46		44		42		40	39								34	33	
						73								30								26	25		22	21	20		
SALEABLE	NOT APPLICABLE	34566-1793	0	A	BLACK				69											58	57	56	55	54	53				
								52	51		49				44	43	42	41							37	36	35	34	33
						73								32			29	28	27	26								19	18

MX123 52/66/73/80-WAY RECEPTACLE ASSY SEALED PIN OUT SHEET

STATUS	GM PART #	HRNS CONN ASSY			TPA	GROMMET CAP																				
		MATERIAL/PART	WIRE DRESS OPTION	KEY OPTION Fp	COLOR OPTION Fp	NUMBERS INDICATE CAVITIES OPEN FOR CIRCUITS																				
		NUMBER				Fp																				
SALEABLE	NOT APPLICABLE	34566-1813	0	B	ST GRAY	72	71	70		68	67	66				62	61	60	59	58	57	56	55	54	53	
						52	51	50		48	47	46				42	41	40	39	38	37	36	35	34	33	
						73				32	31	30	29	28	27	26	25	24	23							
SALEABLE	NOT APPLICABLE	34566-1823	0	A	BLACK	72	71	70	69	68		66	65	64			61		59	58		56		54	53	
						52		50	49		47					42	41			38	37	36		34	33	
						73				32	31	30	29	28	27	26		24	23	22	21	20	19	18	17	
SALEABLE	NOT APPLICABLE	34566-1833	0	A	BLACK					68		65		63		61		59	58		56					
						52		50			47					41			38	37	36		34	33		
						73				32	31	30	29	28	27		25	24	23			20	19	18	17	
SALEABLE	NOT APPLICABLE	34566-1843	0	A	BLACK					68		65		63		61		59	58		56					
						52		50			47					41			38	37	36		34	33		
						73				32	31	30	29	28	27		25	24	23			20	19	18	17	
SALEABLE	NOT APPLICABLE	34566-1853	0	A	BLACK			70	69	68	67		65		63		61	60			57	56	55	54	53	
						52		50	49	48	47			44	43		41	40			37	36	35	34	33	
						73						30	29	28			25	24			21	20	19	18	17	
SALEABLE	NOT APPLICABLE	34566-1863	0	B	ST GRAY					68	67		66	65	64	63										
												46	45		43											
						73				32		30	29	28	27											
SALEABLE	NOT APPLICABLE	34566-1873	0	C	BLUE	72		70			67	66			63	62			59		57				53	
						52	51					46		44		42		40	39						34	33
						73				32		30			27	26	25			22	21	20				
SALEABLE	NOT APPLICABLE	34566-1883	0	A	BLACK			70		68	67	66	65						58	57		55				
									49		47			44	43	42	41	40	39		37		35			
						73				32		30			27		25	24			21	20	19	18	17	
SALEABLE	NOT APPLICABLE	34566-1893	0	C	BLUE			70				66			63			59		57					53	
						52	51					46		44		42		40	39						34	33
						73				32		30			27	26	25			22	21	20				
SALEABLE	NOT APPLICABLE	34566-1913	0	B	ST GRAY	72		70		68		66					60	59					55	54	53	
						52		50		48		46					40	39						35	34	33
						73				32	31	30	29	28	27	26	25	24								
SALEABLE	NOT APPLICABLE	34566-1923	0	A	BLACK				69						63				58		56	55	54	53		
						52	51		49					44	43	42	41					36	35	34	33	
						73				32				28		26							19	18		
SALEABLE	NOT APPLICABLE	34566-1933	0	A	BLACK			70			67	66	65					58	57		55					
									49		47			44	43	42	41	40	39		37		35			
						73				32		30			27		25	24			21	20	19	18	17	
SALEABLE	NOT APPLICABLE	34566-1943	0	A	BLACK			70			67	66	65					58	57		55					
							51		49		47			44	43	42	41	40	39		37		35			
						73				32		30			27		25	24			21	20	19	18	17	
SALEABLE	NOT APPLICABLE	34566-1953	0	C	BLUE			70				66			63			59		57					53	
						52	51			48	47	46		44		42		40	39						34	33
						73						30				26	25			22	21	20				
SALEABLE	NOT APPLICABLE	34566-1963	0	C	BLUE			70				66			63			59		57					53	
						52	51					46		44		42		40	39						34	33
						73						30				26	25			22	21	20				

MX123 52/66/73/80-WAY RECEPTACLE ASSY SEALED PIN OUT SHEET

STATUS	GM PART #	HRNS CONN ASSY			TPA	GROMMET CAP																						
		MATERIAL/PART	WIRE DRESS OPTION	KEY OPTION Fp	COLOR OPTION Fp	NUMBERS INDICATE CAVITIES OPEN FOR CIRCUITS																						
		NUMBER				Fp																						
SALEABLE	NOT APPLICABLE	34566-1973	0	A	BLACK	52	51		69														56	55	54	53		
									49						44	63	42	41							36	35	34	33
						73				32				28		26			23					21			19	18
SALEABLE	NOT APPLICABLE	34566-1983	0	B	ST GRAY																							
						73																						
SALEABLE	NOT APPLICABLE	34566-1993	0	C	BLUE																							
						73																						
SALEABLE	NOT APPLICABLE	34566-2013	0	A	BLACK		71	70					65					60	59	58	57				54	53		
							51	50	49	48		46	45		43		41	40	39		37	36	35					33
						73				32	31	30						24	23	22		20						
SALEABLE	NOT APPLICABLE	34566-2023	0	A	BLACK			70		68	67	66	65							58	57			55				
									49		47			44	43	42	41		39		37		35					
						73				32		30				27		25	24			21	20	19	18	17		
SALEABLE	NOT APPLICABLE	34566-2033	0	A	BLACK		71	70					65	64				60	59	58	57			55	54	53		
							51	50	49	48		46	45		43		41	40	39		37	36	35					33
						73				32	31	30						24	23	22		20						
SALEABLE	NOT APPLICABLE	34566-2043	0	A	BLACK			70			67	66	65						58	57			55					
									49		47			44	43	42	41		39		37		35					
						73				32		30				27		25	24			21	20	19	18	17		
SALEABLE	NOT APPLICABLE	34566-2053	0	B	ST GRAY			70		68	67	66	65						58	57			55					
									49		47			44	43	42	41		39		37		35					
						73				32		30				27		25	24	23		21	20	19	18			
SALEABLE	NOT APPLICABLE	34566-2063	0	H	ST GRAY			78						72	71	70	69	68		66	65	64	63		61			
								58	57	56			53	52		50							44	43			41	
						40			37		35	34			32		30	29		27	26						22	21
SALEABLE	NOT APPLICABLE	34566-2073	0	H	ST GRAY			78						72	71	70	69	68		66	65	64	63		61			
								58	57	56			53	52		50							44	43			41	
						40			37		35	34			32		30	29		27	26						22	21
SALEABLE	NOT APPLICABLE	34566-2083	0	H	ST GRAY			78						72	71	70	69	68	67	66	65	64	63		61			
								58	57	56			53	52	51	50							44	43			41	
						40			37		35	34			32		30	29		27	26						22	21
SALEABLE	NOT APPLICABLE	34566-2093	0	A	BLACK					68			65		63		61		59	58			56					
						52		50			47					41			38	37	36			34	33			
						73				32	31	30	29	28	27		25	24	23			20	19	18	17			
SALEABLE	NOT APPLICABLE	34566-2113	0	H	ST GRAY		79	78	77	76	75	74	73	72	71	70	69	68		66	65	64	63		61			
							60	59	58	57	56	55		53	52		50						44	43	42	41		
						40	39	38	37		35	34	33	32		30	29		27	26							22	21
SALEABLE	NOT APPLICABLE	34566-2123	0	H	ST GRAY			79	78	77	76	75	74	73	72	71	70	69	68		66	65	64	63		61		
								59	58	57	56	55		53	52		50						44	43	42	41		
						40	39	38	37		35	34	33	32		30	29		27	26							22	21
SALEABLE	NOT APPLICABLE	34566-2133	0	B	ST GRAY		71	70					65	64				60	59	58	57			55	54	53		
							51	50	49	48		46	45		43		41	40	39		37	36	35					33
						73				32	31	30						24	23	22		20						

MX123 52/66/73/80-WAY RECEPTACLE ASSY SEALED PIN OUT SHEET

STATUS	GM PART #	HRNS CONN ASSY			TPA	GROMMET CAP																				
		MATERIAL/PART	WIRE DRESS OPTION	KEY OPTION Fp	COLOR OPTION Fp	NUMBERS INDICATE CAVITIES OPEN FOR CIRCUITS																				
		NUMBER				Fp																				
SALEABLE	NOT APPLICABLE	34566-2143	0	B	ST GRY	71	70					65				60	59	58	57			54	53			
						51	50	49	48		46	45		43		41	40	39		37	36	35			33	
						73			32	31	30					24	23	22		20						
SALEABLE	NOT APPLICABLE	34566-2153	0	A	BLACK	70			68	67	66	65						58	57		55					
								49		47			44	43	42	41		39		37						
						73			32		30			27		25	24	23		21	20	19	18			
SALEABLE	NOT APPLICABLE	34566-2163	0	A	BLACK	70			67	66					61			58			55	54				
								49		47		45	44	43	42	41		39		37				34		
						73			32					27		24			21	20	19	18	17			
SALEABLE	NOT APPLICABLE	34566-2173	0	A	BLACK	70			67	66	65				61			58			55	54				
								49		47		45	44	43	42	41		39		37				34		
						73			32		30			27		25	24		21	20	19	18	17			
SALEABLE	NOT APPLICABLE	34566-2183	0	A	BLACK	70			67	66							58	57		55						
								49		47			44	43	42	41		39		37						
						73			32					27		24			21	20	19	18	17			
SALEABLE	NOT APPLICABLE	34566-2193	0	A	BLACK	70			67	66	65						58	57		55						
								49		47			44	43	42	41		39		37						
						73			32		30			27		25	24		21	20	19	18	17			
SALEABLE	NOT APPLICABLE	34566-2213	9	H	ST GRY	79	78	77	76	75	74	73	72	71	70	69	68		66	65	64	63		61		
						60	59	58	57	56			53		50							44	43		41	
						40	39	38	37		35	34	33	32		30	29		27	26		24	23	22	21	
SALEABLE	NOT APPLICABLE	34566-2223	0	A	BLACK	72	71	70	69	68	67	66		64	63	62		60	59				55	54	53	
						52			49	48		46		44	43	42		40	39				35	34	33	
						73			32			29		27		24	23				19	18	17			
SALEABLE	NOT APPLICABLE	34566-2233	0	A	BLACK	69								63				58			56		54			
						52	51		49				44	43	42	41					36	35	34	33		
						73			32				28		26						19	18				
SALEABLE	NOT APPLICABLE	34566-2243	0	H	ST GRY	79	78	77	76	75	74	73	72	71	70	69	68		66	65	64	63		61		
						60	59	58	57	56			53	52		50						44	43		41	
						40	39	38	37		35	34	33	32		30	29		27	26		24	23	22	21	
SALEABLE	NOT APPLICABLE	34566-2253	0	A	BLACK	72	71	70	69	68		66	65	64	63		61		59	58		56		54		
						52		50	49		47				42	41			38	37	36		34	33		
						73			32	31	30	29	28	27	26		24	23	22	21	20	19	18	17		
SALEABLE	NOT APPLICABLE	34566-2263	0	A	BLACK	69								63				58			56		54			
						52	51	50	49				44	43	42	41					36	35	34	33		
						73			32				28		26						19	18				
SALEABLE	NOT APPLICABLE	34566-2273	0	A	BLACK	69								63	62	61			58	57	56	55	54	53		
						52	51	50	49				44	43	42	41				37	36	35	34	33		
						73			32			29	28	27	26						19	18				
SALEABLE	NOT APPLICABLE	34566-2283	0	B	ST GRY	49			68	67	66	65	64	63							55					
									48		46	45	44	43												
						73			32		30	29	28	27												17
SALEABLE	NOT APPLICABLE	34566-2293	0	C	BLUE	72		70		68		66		63				59		57				53		
						52	51			48	47	46		44		42		40	39					34	33	
						73					30				26	25			22	21						

MX123 52/66/73/80-WAY RECEPTACLE ASSY SEALED PIN OUT SHEET

STATUS	GM PART #	HRNS CONN ASSY			TPA	GROMMET CAP																							
		MATERIAL/PART	WIRE DRESS OPTION	KEY OPTION Fp	COLOR OPTION Fp	NUMBERS INDICATE CAVITIES OPEN FOR CIRCUITS																							
		NUMBER				Fp																							
SALEABLE	NOT APPLICABLE	34566-2473	0	A	BLACK			70		68	67	66	65						58	57		55							
								49			47		30			44	43	42	41		39			21	20	19	18	17	
						73							32							27		25	24			6	5		3
SALEABLE	NOT APPLICABLE	34566-2483	0	A	BLACK				69							63	62	61			58	57	56	55	54	53			
						52	51		49						44	43	42	41					37	36	35	34	33		
						73							32			29	28	27	26			23						19	18
SALEABLE	NOT APPLICABLE	34566-2493 SAME AS P/N 34566-3863	0	B	ST GRAY	72	71	70		68	67	66					62	61	60	59	58	57	56	55	54	53			
						52	51	50		48	47	46					42	41	40	39	38	37	36	35	34	33			
						73							32	31	30	29	28	27	26	25	24								
SALEABLE	NOT APPLICABLE	34566-2513	0	C	BLUE	72		70		68	67	66				63	62			59		57				53			
						52	51			48	47	46			44		42		40	39							34	33	
						73							32		30				27	26	25			22	21	20			
SALEABLE	NOT APPLICABLE	34566-2523	0	A	BLACK	72	71	70	69	68	67	66	65	64	63	62		60	59						55	54	53		
						52			49	48			45	44	43	42	41	40	39								35	34	33
						73							32			29	28	27		25	24	23						19	18
SALEABLE	NOT APPLICABLE	34566-2533	0	B	ST GRAY						67	66	65			63			59	58	57	56	55	54	53				
								50	49	48		46	45			43			39	38	37	36	35	34	33				
						73							16	15	14	13						8	7	6	5	4	3		18
SALEABLE	NOT APPLICABLE	34566-2543	0	C	BLUE	72		70				66			63			59		57						53			
						52	51					46		44		42		40	39								34	33	
						73							32		30				27	26	25			22	21				
SALEABLE	NOT APPLICABLE	34566-2553	9	B	ST GRAY	72	71	70		68	67	66				62	61	60	59	58	57	56	55	54	53				
						52	51	50		48	47	46				42	41	40	39	38	37	36	35	34	33				
						73							32	31	30	29	28	27	26	25	24	23							
SALEABLE	NOT APPLICABLE	34566-2563	9	A	BLACK				69						63	62	61			58	57	56	55	54	53				
						52	51	50	49					44	43	42	41		39				37	36	35	34	33		
						73							32			29	28	27	26									19	18
SALEABLE	NOT APPLICABLE	34566-2573	9	C	BLUE	72		70			67	66			63	62			59		57					53			
						52	51					46		44		42		40	39								34	33	
						73								30					26	25			22	21	20				
SALEABLE	NOT APPLICABLE	34566-2583	0	A	BLACK				69						63				58	57	56	55	54	53					
						52	51	50	49					44	43	42	41		39						36	35	34	33	
						73							32				28		26									19	18
SALEABLE	NOT APPLICABLE	34566-2593	0	C	BLUE	72		70				66			63	62			59		57					53			
						52	51					46		44		42		40	39								34	33	
						73							32		30				27	26	25			22	21				
SALEABLE	NOT APPLICABLE	34566-2613	9	C	BLUE	72		70			67	66			63	62			59		57					53			
						52	51					46		44		42		40	39								34	33	
						73								30					27	26	25			22	21	20			
SALEABLE	NOT APPLICABLE	34566-2623	0	A	BLACK		71		69	68	67		65	64	63		61		59		57	56							
								50	49		47					41			38	37	36					34	33		
						73							32	31	30	29	28	27		24	23					20	19	18	
SALEABLE	NOT APPLICABLE	34566-2633	0	A	BLACK		71		69	68	67		65	64			61		59		57	56							
								50	49		47					41			38	37	36						33		
						73							32	31	30	29	28	27		24	23					20	19	18	

MX123 52/66/73/80-WAY RECEPTACLE ASSY SEALED PIN OUT SHEET

STATUS	GM PART #	HRNS CONN ASSY			TPA	GROMMET CAP																					
		MATERIAL/PART	WIRE DRESS OPTION	KEY OPTION Fp	COLOR OPTION Fp	NUMBERS INDICATE CAVITIES OPEN FOR CIRCUITS																					
		NUMBER				Fp																					
SALEABLE	NOT APPLICABLE	34566-2813	9	B	ST GRAY	72	71	70	69	68	67	66	65	64		62	61	60	59	58	57	56	55	54			
						52	51	50	49	48		46		44				40				37	36				
						73				32	31	30	29	28	27		25	24					21	20			18
SALEABLE	NOT APPLICABLE	34566-2823	0	A	BLACK						67	66															
																	41										
						73				32	31	30	29		27		25				22	21			19	18	17
SALEABLE	NOT APPLICABLE	34566-2833	0	B	ST GRAY	72	71	70	69	68	67	66	65			61	60				57	56	55	54			
						52	51	50	49	48		46		44				40				37	36				
						73				32	31	30	29	28	27			24				21	20	19	18	17	
SALEABLE	NOT APPLICABLE	34566-2843	0	A	BLACK						67	66															
																	41										
						73				32	31	30	29		27		25			22	21			19	18	17	
SALEABLE	NOT APPLICABLE	34566-2853	0	B	ST GRAY	72	71	70	69	68	67	66	65	64	63		61	60				57	56	55	54		
						52	51	50	49	48		46		44				40				37	36				
						73				32	31	30	29	28	27			24				21	20	19	18	17	
SALEABLE	NOT APPLICABLE	34566-2863	0	A	BLACK						67	66															
																	41										
						73				32	31	30	29		27		25			22	21			19	18	17	
SALEABLE	NOT APPLICABLE	34566-2873	0	B	ST GRAY	72	71	70	69	68	67	66							59	58	57	56	55	54	53		
						52	51	50	49	48	47							40			39	38	37	36	35	34	33
						73				32			29	28	27			24	23			19	18	17			
SALEABLE	NOT APPLICABLE	34566-2883	0	A	BLACK			70	69						63	62	61			58	57	56	55	54	53		
						52	51		49					44	43	42	41				37	36			34		
						73				32			29	28	27	26						19	18				
SALEABLE	NOT APPLICABLE	34566-2893	0	A	BLACK				69		67	66	65		63			60			57	56		53			
									49		47	46		44	43			40			37	36	35		33		
						73				32		30	29	28			24			21	20						
SALEABLE	NOT APPLICABLE	34566-2913	0	B	ST GRAY					68	67			64					58								
												46	45							38							
						73				32		30	29	28	27			22									17
SALEABLE	NOT APPLICABLE	34566-2923	0	B	ST GRAY						67			64													
												46	45														
						73				32		30	29	28	27			10									17
SALEABLE	NOT APPLICABLE	34566-2933	0	A	BLACK	72			69		67		65		63			60			57	56		53			
									49		47		44	43			40			37	36	35		33			
						73				32		30	29	28			24			21	20						17
SALEABLE	NOT APPLICABLE	34566-2943	0	B	ST GRAY					68	67			64	63			59		57							
												46	45		43			39		37							
						73				32		30	29	28	27			10			6	5	4	3			
SALEABLE	NOT APPLICABLE	34566-2953	0	B	ST GRAY					68	67			64	63			59						34			
												46	45		43			39									
						73				32		30	29	28	27			10			6	5	4	3			
SALEABLE	NOT APPLICABLE	34566-2963	0	H	ST GRAY		79						74	73	72	71		69	68	67			64		62	61	
							59						54	53	52			49	48	47						42	41
								38						33					29	27			25				

MX123 52/66/73/80-WAY RECEPTACLE ASSY SEALED PIN OUT SHEET

STATUS	GM PART #	HRNS CONN ASSY			TPA	GROMMET CAP																						
		MATERIAL/PART	WIRE DRESS OPTION	KEY OPTION Fp	COLOR OPTION Fp	NUMBERS INDICATE CAVITIES OPEN FOR CIRCUITS																						
		NUMBER				Fp																						
SALEABLE	NOT APPLICABLE	34566-2973	0	G	BLUE	80		78	77		75	74	73	72		70	69		67		65	64	63	62				
						60		58	57		55	54		52	51	50	49		47		45							
						40		38	37					33	32	31				27	26	25	24					
						20		18	17									10	9	8		6	5			3	2	1
SALEABLE	NOT APPLICABLE	34566-9913	0	A	BLACK	72	71			68	67	66	65	64					59									
								50		48	47	46	45					40	39	38								
						73					31	30						25	24		22	21	20				17	
												14							9	7	6	5	4				2	1
SALEABLE	NOT APPLICABLE	34566-9923	0	A	BLACK	72	71				67	66				62	61	60			57			55	54			
							51			48		46	45	44	43	42			39						35		33	
						73												26	25	24								
												15	14							8	7	6	5	4	3	2		
SALEABLE	NOT APPLICABLE	34566-9933	0	B	ST GRAY				69				65	64	63													
									49				45	44	43													
						73										12	11					6	5	4	3	2	1	
																						22	21	20	19	18	17	
SALEABLE	NOT APPLICABLE	34566-9943	0	C	BLUE		71		69				65	64			61	60			58		56	55	54			
								50	49			45		43		41				37	36	35						
						73					31		29	28				24	23						19	18	17	
												16		13	12	11				8	7					3	2	1
SALEABLE	NOT APPLICABLE	34566-9953	0	A	BLACK					67						62		60			57			55				
							51			48		46	45	44	43				39						35			
						73													25									
												15	14							7	6	5	4	3	2			
SALEABLE	NOT APPLICABLE	34566-9963	0	B	ST GRAY					68	67			64	63					58			55					
												46	45		43					38				35				
						73					32		30	29	28	27				22					19		17	
												15		13				10										1
SALEABLE	NOT APPLICABLE	34566-9973	0	B	ST GRAY					68	67			64	63					58								
												46	45		43					38								
						73					32		30	29	28	27				22							17	
												15		13				10										
SALEABLE	NOT APPLICABLE	34566-2983	9	A	BLACK				70	69					63	62	61			58	57	56	55	54	53			
						52	51		49					44	43	42	41					37	36			34		
						73					32			29	28	27	26									19	18	17
											16	15		13	12	11	10									3	2	1
SALEABLE	NOT APPLICABLE	34566-2993	9	B	ST GRAY	72	71	70		68	67	66				62	61	60	59	58	57	56	55	54	53			
						52	51	50		48	47	46				42	41	40	39	38	37	36	35	34	33			
						73					32	31	30	29	28	27	26	25	24									
											16	15	14	13				10	9	8								
SALEABLE	NOT APPLICABLE	34566-3013	9	C	BLUE	72	71	70	69	68	67	66			63	62			59		57	56	55		53			
						52	51					46		44		42		40	39	38						34	33	
						73					32		30				26	25			22	21				19	18	
												15	14				10	9			6	5	4	3				
SALEABLE	NOT APPLICABLE	34566-3023	0	G	BLUE		79			76					71			68		66				61				
							59			56				53					30	29	28			44	43	42	41	
							39			36	35	34														23	22	21
							19			16	15	14	13	12	11						7				4			
SALEABLE	NOT APPLICABLE	34566-3033	0	H	ST GRAY	80		78	77	76	75					70				66	65		63					
						60		58	57	56	55					51	50				46	45	44	43				
						40	39		37	36	35	34			32	31	30			28		26		24	23	22		
						20	19	18	17	16					13	12						6	5	4	3	2	1	
SALEABLE	NOT APPLICABLE	34566-3043	0	C	BLUE	72	71	70		68		66			63	62			59		57				53			
						52	51			48	47	46		44		42		40	39							34	33	
						73					32		30				27	26	25			22	21	20				
												15	14	13				10	9			6	5	4				
SALEABLE	NOT APPLICABLE	34566-3053	0	C	BLUE	72		70		68		66			63	62			59		57				53			
						52	51			48	47	46		44		42		40	39	38						34	33	
						73					32		30				27	26	25			22	21	20				
												15	14	13				10	9			6	5	4				

MX123 52/66/73/80-WAY RECEPTACLE ASSY SEALED PIN OUT SHEET

STATUS	GM PART #	HRNS CONN ASSY			TPA	GROMMET CAP																						
		MATERIAL/PART	WIRE DRESS OPTION	KEY OPTION Fp	COLOR OPTION Fp	NUMBERS INDICATE CAVITIES OPEN FOR CIRCUITS																						
		NUMBER				Fp																						
SALEABLE	NOT APPLICABLE	34566-3063	0	A	BLACK	52	71		69				65	64	63			60		58	57	56	55	54	53			
							51		49				45	44	43	42	41						37	36	35	34	33	
						73				32		30			28		26									19	18	
SALEABLE	NOT APPLICABLE	34566-3073	0	A	BLACK	52	71		69				65	64	63			60			57	56	55	54	53			
							51		49				45	44	43	42	41						37	36	35	34	33	
						73				32		30			28		26			23						19	18	
SALEABLE	NOT APPLICABLE	34566-3083	0	A	BLACK	52	71		69				65	64	63			60		58	57	56	55	54	53			
							51		49				45	44	43	42	41						37	36	35	34	33	
						73				32		30			28		26									19	18	
SALEABLE	NOT APPLICABLE	34566-3093	0	A	BLACK	52	71		69				65	64	63			60			57	56	55	54	53			
							51		49				45	44	43	42	41						37	36	35	34	33	
						73				32		30			28		26			23						19	18	
SALEABLE	NOT APPLICABLE	34566-3113	0	A	BLACK	52	71		69				65	64	63			60			57	56	55	54	53			
							51		49				45	44	43	42	41						37	36	35	34	33	
						73				32		30			28		26			23			21			19	18	
SALEABLE	NOT APPLICABLE	34566-3123	0	B	ST GRAY	72		70				66					60	59						55	54	53		
						52		50				46					40	39								35	34	33
						73				32	31	30	29	28	27	26	25	24										
SALEABLE	NOT APPLICABLE	34566-3133	0	C	BLUE	72		70		68	67	66			63	62			59		57				53			
						52	51			48	47	46		44		42		40	39							34	33	
						73				32		30			26	25			22	21	20							
SALEABLE	NOT APPLICABLE	34566-3143	0	C	BLUE	72		70				66			63	62			59		57				53			
						52	51					46		44		42		40	39							34	33	
						73				32		30			26	25			22	21								
SALEABLE	NOT APPLICABLE	34566-3153	0	A	BLACK	52	71		69						63				58			56		54				
							51		49				44	43	42	41								36		34		
						73				32					28		26									19	18	
SALEABLE	NOT APPLICABLE	34566-3163	0	C	BLUE	72		70							63	62			59		57	56	55		53			
						52	51					46		44		42		40	39						37	36	34	33
						73				32		30			26	25			22	21						19	18	
SALEABLE	NOT APPLICABLE	34566-3173	0	A	BLACK	52	71		69						63				58			56		54				
							51		49				44	43	42	41									36		34	
						73				32					28		26										19	18
SALEABLE	NOT APPLICABLE	34566-3183	0	C	BLUE	72		70				66			63	62			59		57	56	55		53			
						52	51					46		44		42		40	39							34	33	
						73				32		30			26	25			22	21								
SALEABLE	NOT APPLICABLE	34566-3193	0	A	BLACK	52	71		69						63				58			56	55	54	53			
							51		49				44	43	42	41									36	35	34	33
						73				32					28		26										19	18
SALEABLE	NOT APPLICABLE	34566-3213	0	C	BLUE	72		70				67	66			63	62			59		56			53			
						52	51					46		44		42		40	39							34	33	
						73				32		30			26	25			22	21								
SALEABLE	NOT APPLICABLE	34566-3223	0	C	BLUE	72		70				67	66			63	62			59		57			53			
						52	51					46		44		42		40	39							34	33	
						73				32		30			27	26	25			22	21							

MX123 52/66/73/80-WAY RECEPTACLE ASSY SEALED PIN OUT SHEET

STATUS	GM PART #	HRNS CONN ASSY			TPA	GROMMET CAP																										
		MATERIAL/PART	WIRE DRESS OPTION	KEY OPTION Fp	COLOR OPTION Fp	NUMBERS INDICATE CAVITIES OPEN FOR CIRCUITS																										
		NUMBER				Fp																										
SALEABLE	NOT APPLICABLE	34566-3233	0	A	BLACK	70	69									63	62	61					58	57	56	55	54	53				
						52	51		49					44	43	42	41											36		19	18	
						73				32				29	28	27	26														3	
SALEABLE	NOT APPLICABLE	34566-3243	0	C	BLUE	72		70							66														53			
						52	51							46		44		42				40	39							34	33	
						73				32		30					26	25					22	21								
SALEABLE	NOT APPLICABLE	34566-3253	0	A	BLACK	70	69																						53			
						52	51		49					44	43	42	41												36		34	
						73				32						28		26													19	18
SALEABLE	NOT APPLICABLE	34566-3263	0	C	BLUE	72		70							66														53			
						52	51							46		44		42				40	39							34	33	
						73				32		30					26	25					22	21							19	18
SALEABLE	NOT APPLICABLE	34566-3273	0	A	BLACK	70	69																						53			
						52	51		49					44	43	42	41													36		34
						73				32						28		26													19	18
SALEABLE	NOT APPLICABLE	34566-3283	0	C	BLUE	72		70							66														53			
						52	51							46		44		42				40	39							34	33	
						73				32		30					26	25					22	21							19	18
SALEABLE	NOT APPLICABLE	34566-3293	0	B	ST GRAY	72	71	70							68	67	66													53		
						52	51	50						48	47					42	41	40	39	38	37	36	35	34	33			
						73				32	31	30	29	28	27	26	25	24	23													
SALEABLE	NOT APPLICABLE	34566-3313	0	C	BLUE	72		70																					53			
						52	51							46		44		42				40	39							34	33	
						73				32		30					26	25					22	21								
SALEABLE	NOT APPLICABLE	34566-3323	0	B	ST GRAY										68	67	66	65	64	63									53			
									49					48		46	45	44	43												34	33
						73				32		30	29	28	27								22								17	
SALEABLE	NOT APPLICABLE	34566-3333	0	A	BLACK	72	71	70	69						68			65	64	63										53		
						52	51	50	49					47						42	41									36		34
						73				32	31	30	29	28	27	26		24	23											20	19	18
SALEABLE	NOT APPLICABLE	34566-3343	0	A	BLACK	72									67	66	65													53		
									49					47			44	43	42											37	36	35
						73				32		30	29	28			26		24												21	20
SALEABLE	NOT APPLICABLE	34566-3353	0	B	ST GRAY										68	67			64											53		
														46	45																34	33
						73				32		30	29	28	27								23	22								17
SALEABLE	NOT APPLICABLE	34566-3363	0	A	BLACK		71		69						68			65	64	63										53		
						52		50	49					47						42	41	40	39	38	37	36				34	33	
						73				32	31	30	29	28	27	26		24	23	22										20	19	18
SALEABLE	NOT APPLICABLE	34566-3373	9	C	BLUE	72		70							68	67	66													53		
						52	51							48	47	46		44				42	41	40	39	38				34	33	
						73				32		30					26	25					22	21							19	18
SALEABLE	NOT APPLICABLE	34566-3383	0	A	BLACK			70	69						68			65	64	63										53		
						52		50	49					48	47					42	41									36		34
						73				32	31	30	29	28	27	26		24	23												20	19

MX123 52/66/73/80-WAY RECEPTACLE ASSY SEALED PIN OUT SHEET

STATUS	GM PART #	HRNS CONN ASSY			TPA	GROMMET CAP																				
		MATERIAL/PART	WIRE DRESS OPTION	KEY OPTION Fp	COLOR OPTION Fp	NUMBERS INDICATE CAVITIES OPEN FOR CIRCUITS																				
		NUMBER				Fp																				
SALEABLE	NOT APPLICABLE	34566-3733	0	B	ST GRAY	72	71	70		68	67	66				62	61	60	59	58	57	56	55	54	53	
						52	51	50		48	47	46				42	41	40	39	38	37	36	35	34	33	
						73				32	31	30	29	28	27	26	25	24	23							
SALEABLE	NOT APPLICABLE	34566-3743	0	C	BLUE	72		70		68		66			63	62			59		57			53		
						52	51			48	47	46		44		42		40	39	38					34	33
						73				32		30			27	26	25			22	21					
SALEABLE	NOT APPLICABLE	34566-3753	0	C	BLUE	72		70		68		66			63	62			59		57			53		
						52	51			48	47	46		44		42		40	39						34	33
						73				32		30			27	26	25			22	21					
SALEABLE	NOT APPLICABLE	34566-3763	0	C	BLUE	72		70		68		66			63	62			59		57	56	55	54	53	
						52	51			48	47	46		44		42		40	39						34	33
						73				32		30			27	26	25			22	21					
SALEABLE	NOT APPLICABLE	34566-3773	0	A	BLACK			70	69						63				58		56	55	54	53		
						52	51	50	49					44	43	42	41		39					36		34
						73				32					28		26								19	18
SALEABLE	NOT APPLICABLE	34566-3783	0	A	BLACK			70	69						63				58		56	55	54	53		
						52	51	50	49					44	43	42	41		39					36		34
						73				32					28		26								19	18
SALEABLE	NOT APPLICABLE	34566-3793	0	A	BLACK		71	70						64	63			60		58	57	56	55	54	53	
						52	51		49				45	44	43	42	41				37	36			34	
						73				32		30			28		26		23		21				19	18
SALEABLE	NOT APPLICABLE	34566-3813	0	C	BLUE	72		70		68		66			63	62			59		57			53		
						52	51			48	47	46		44		42		40	39	38	37	36			34	33
						73				32		30				26	25	24		22	21	20				
SALEABLE	NOT APPLICABLE	34566-3823	0	A	BLACK			70	69						63		61			58	57	56	55	54	53	
						52	51		49					44	43		41				37	36			34	
						73				32					27	26									19	18
SALEABLE	NOT APPLICABLE	34566-3833	0	A	BLACK			70	69						63	62	61			57	56	55	54	53		
						52	51		49					44	43	42	41				37	36			34	
						73				32			29	28	27	26			23						19	18
SALEABLE	NOT APPLICABLE	34566-3843	0	A	BLACK	72	71	70	69	68	67	66			64	63	62		60	59			55	54	53	
						52			49	48				44	43	42	41	40	39					35	34	33
						73				32			29	28	27		25	24	23						19	18
SALEABLE	NOT APPLICABLE	34566-3853	0	A	BLACK	72	71	70	69	68	67	66	65	64	63	62		60	59			55	54	53		
						52			49	48			45	44	43	42	41	40	39					35	34	33
						73				32			29	28	27		25	24	23						19	18
SALEABLE	NOT APPLICABLE	34566-3863	0	B	ST GRAY	72	71	70		68	67	66				62	61	60	59	58	57	56	55	54	53	
						52	51	50		48	47	46				42	41	40	39	38	37	36	35	34	33	
						73				32	31	30	29	28	27	26	25	24								
SALEABLE	NOT APPLICABLE	34566-3873	0	B	ST GRAY										63				59	58	57	56	55			
								50	49	48		46	45		43					39	38	37	36	35	34	
						73							29	27					23	22	21					18
SALEABLE	NOT APPLICABLE	34566-3883	0	B	ST GRAY						67	66						59	58	57	56	55		53		
								50	49	48			45						39	38	37	36	35	34	33	
						73							29						23	22	21					18

MX123 52/66/73/80-WAY RECEPTACLE ASSY SEALED PIN OUT SHEET

STATUS	GM PART #	HRNS CONN ASSY			TPA	GROMMET CAP																						
		MATERIAL/PART	WIRE DRESS OPTION	KEY OPTION Fp	COLOR OPTION Fp	NUMBERS INDICATE CAVITIES OPEN FOR CIRCUITS																						
		NUMBER				<table style="width:100%; border:none;"> <tr> <td style="width:25%;"></td> <td style="width:25%; text-align:center;">Fp</td> <td style="width:50%;"></td> </tr> </table>																				Fp		
	Fp																											
SALEABLE	NOT APPLICABLE	34566-3893	0	C	BLUE	72		70		68	67	66			63	62			59		57				53			
						52	51			48	47	46		44		42					22	21				34	33	
						73						32		30			27	26	25				6	5	4			
SALEABLE	NOT APPLICABLE	34566-3913	0	A	BLACK		71	70	69					64	63			60		58	57	56	55	54	53			
						52	51		49				45	44	43	42	41				37	36				34		
						73						32		30		28		26			23		21		19	18		
SALEABLE	NOT APPLICABLE	34566-3923	0	B	ST GRY	72		70		68		66						60	59					55	54	53		
						52		50		48		46						40	39							35	34	33
						73						32	31	30	29	28	27	26	25	24	23						19	18
SALEABLE	NOT APPLICABLE	34566-3933	0	A	BLACK		71	70	69					64	63			60		58	57	56	55	54	53			
						52	51		49				45	44	43	42	41				37	36				34		
						73						32		30		28		26									19	18
SALEABLE	NOT APPLICABLE	34566-3943	0	C	BLUE	72		70		68		66						60	59					55	54	53		
						52		50		48		46						40	39							35	34	33
						73						32	31	30	29	28	27	26	25	24								
SALEABLE	NOT APPLICABLE	34566-3953	0	C	BLUE	72		70		68						63	62			59		57				53		
						52	51			48	47	46		44		42		40	39								34	33
						73						32		30				26	25			23	22	21	20			
SALEABLE	NOT APPLICABLE	34566-3963	0	C	BLUE	72		70		68	67	66			63	62			59		57				53			
						52	51			48	47	46		44		42		40	39	38						34	33	
						73						32		30				26	25			22	21					
SALEABLE	NOT APPLICABLE	34566-3973	0	C	BLUE	72		70		68	67					63	62			59		57			53			
						52	51			48	47	46		44		42		40	39	38						34	33	
						73						32		30				26	25			22	21					
SALEABLE	NOT APPLICABLE	34566-3983	0	A	BLACK		71	70	69					64	63			60	59	58	57	56	55	54	53			
						52	51		49				45	44	43	42	41	40			37	36				34		
						73						32		30		28		26									19	18
SALEABLE	NOT APPLICABLE	34566-3993	0	A	BLACK			70	69					64	63	62	61	60		58	57	56	55	54	53			
						52	51		49				44	43	42	41	40				37	36				34		
						73						32			29	28	27	26									19	18
SALEABLE	NOT APPLICABLE	34566-4013	0	B	ST GRY	72		70		68		66						60	59					55	54	53		
						52		50		48		46						40	39							35	34	33
						73						32	31	30	29	28	27	26	25	24								
SALEABLE	NOT APPLICABLE	34566-4023	0	B	ST GRY	72	71	70		68	67	66				62	61	60	59	58	57	56	55	54	53			
						52	51	50		48	47	46				42	41	40	39	38	37	36	35	34	33			
						73						32	31	30	29	28	27	26	25	24								
SALEABLE	NOT APPLICABLE	34566-4033	0	C	BLUE	72		70		68						63	62			59	58	57			53			
						52	51			48	47			44		42		40	39	38						34	33	
						73						32		30				26	25			22	21	20				17
SALEABLE	NOT APPLICABLE	34566-4043	0	A	BLACK		71	70	69					64	63			60		58	57	56	55	54	53			
						52	51		49				45	44	43	42	41				37	36				34		
						73						32		30		28		26			23						19	18
SALEABLE	NOT APPLICABLE	34566-4053	0	A	BLACK	72			69		67	66	65		63			60			57	56			53			
									49		47	46		44	43	42		40			37	36	35				33	
						73						32		30	29	28	27	26		24			21	20				17

MX123 52/66/73/80-WAY RECEPTACLE ASSY SEALED PIN OUT SHEET

STATUS	GM PART #	HRNS CONN ASSY			TPA	GROMMET CAP																									
		MATERIAL/PART	WIRE DRESS OPTION	KEY OPTION Fp	COLOR OPTION Fp	NUMBERS INDICATE CAVITIES OPEN FOR CIRCUITS																									
		NUMBER				Fp																									
SALEABLE	NOT APPLICABLE	34566-4063	0	B	ST GRY					68	67			64					59	58					54						
SALEABLE	NOT APPLICABLE	34566-4073	0	A	BLACK	72			70					66			63	62			59		57	56	55		53				
						52	51					46		44		42		40	39		37	36					34	33			
SALEABLE	NOT APPLICABLE	34566-4083	0	C	BLUE	72			70					68				63	62			59	58	57			53				
						52	51					48	47			44		42		40	39	38	37	36			34	33			
SALEABLE	NOT APPLICABLE	34566-4093	0	A	BLACK		71	70	69					67			64	63			60			57	56	55	54	53			
						52	51		49				47		45	44	43	42	41												
SALEABLE	NOT APPLICABLE	34566-4113	0	B	ST GRY					68	67																				
SALEABLE	NOT APPLICABLE	34566-4123	9	A	BLACK	72				69				67	66	65		63			60			57	56			53			
									49				47	46		44	43	42		40											
SALEABLE	NOT APPLICABLE	34566-4133	9	B	ST GRY					68	67																				
SALEABLE	NOT APPLICABLE	34566-4143	0	B	ST GRY					68	67																				
SALEABLE	NOT APPLICABLE	34566-4153	0	B	ST GRY	72			70					68																	
						52			50				48		46		44														
SALEABLE	NOT APPLICABLE	34566-4163	0	B	ST GRY	72			70					68																	
						52			50				48		46																
SALEABLE	NOT APPLICABLE	34566-4173	0	A	BLACK	72	71	70	69								64	63													
						52	51		49				47		45	44	43	42	41												
SALEABLE	NOT APPLICABLE	34566-4183	0	C	BLUE	72			70					68				63	62			59	58	57				53			
						52	51					48	47	46		44		42		40	39									34	33
SALEABLE	NOT APPLICABLE	34566-4193	0	C	BLUE		71		69																						
									50	49																					
SALEABLE	NOT APPLICABLE	34566-4213	0	A	BLACK	72	71							68	67	66	65	64													
									50				48	47	46	45															
SALEABLE	NOT APPLICABLE	34566-4223	0	A	BLACK	72	71							68	67	66	65	64													
									50				48	47	46	45															

MX123 52/66/73/80-WAY RECEPTACLE ASSY SEALED PIN OUT SHEET

STATUS	GM PART #	HRNS CONN ASSY			TPA	GROMMET CAP																							
		MATERIAL/PART	WIRE DRESS OPTION	KEY OPTION Fp	COLOR OPTION Fp	NUMBERS INDICATE CAVITIES OPEN FOR CIRCUITS																							
		NUMBER				Fp																							
SALEABLE	NOT APPLICABLE	34566-4393	0	G	BLUE			78	77		75	74		72		70	69		67		65	64	63	62					
						60		58	57		55	54		52	51	50	49		47		45								
						40		38	37					33	32	31				27	26	25	24						
						20		18	17										10	9	8		6	5			3	2	1
SALEABLE	NOT APPLICABLE	34566-4413	0	B	ST GRAY										63			59	58	57	56	55		53					
								50	49	48		46		43			39	38	37	36	35	34	33						
						73							29		27				23	22	21						18		
										16	15	14								7	6	5	4	3					
SALEABLE	NOT APPLICABLE	34566-4423	9	C	BLUE	72		70		68	67	66			63	62			59		57				53				
						52	51			48	47	46		44		42		40	39	38	37	36				34	33		
						73								32		30			27	26	25	24		22	21				
											15	14						10	9	8		6	5	4				2	
SALEABLE	NOT APPLICABLE	34566-4433	9	A	BLACK			70	69						63	62	61	60		58	57	56	55	54	53				
						52	51	50	49					44	43	42	41	40			37	36				34			
						73								32			29	28	27	26							19	18	
										16	15	14	13	12	11	10												3	
SALEABLE	NOT APPLICABLE	34566-4443	9	A	BLACK						67	66																	
										48	47						41												
						73								32	31	30	29		27	26	25			22	21		19	18	17
										16	15	14	13																1
SALEABLE	NOT APPLICABLE	34566-4453	0	A	BLACK	72	71	70	69						63	62	61	60	59	58	57	56	55	54	53				
						52	51	50	49	48		46	45	44	43	42		40	39	38	37	36	35	34	33				
						73											28				24	23					20		
															12	11												2	1
SALEABLE	NOT APPLICABLE	34566-4463	9	B	ST GRAY										63									53					
										48	47		45		43	42			39						35	34	33		
						73												11									19		
																													1
SALEABLE	NOT APPLICABLE	34566-4473	0	B	ST GRAY								64	63	62			59	58						53				
												47		45		43	42			39						35	34	33	
						73													26	25		23	22						
																												3	1
SALEABLE	NOT APPLICABLE	34566-4483	9	C	BLUE	72		70		68	67	66			63	62			59	58	57	56	55		53				
						52	51		49	48	47	46		44			40	39	38	37	36					34	33		
						73								32		30			27	26	25	24	23	22	21	20	19	18	17
											15	14	13				10	9	8	7	6	5	4	3	2	1			
SALEABLE	NOT APPLICABLE	34566-4493	9	A	BLACK	72	71	70	69						64	63	62	61	60	59	58	57	56	55	54	53			
						52	51	50	49	48	47		45	44	43	42	41	40	39		37	36				34			
						73								32		30	29	28	27	26		24	23		21		19	18	17
										16	15	14	13	12	11	10				8				5			3	2	1
SALEABLE	NOT APPLICABLE	34566-4513	9	B	ST GRAY	72	71	70		68	67	66				62	61	60	59	58	57	56	55	54	53				
						52	51	50		48	47	46				42	41	40	39	38	37	36	35	34	33				
						73								32	31	30	29	28	27	26	25	24	23				19	18	17
										16	15	14	13				10		8	7							3	2	1
SALEABLE	NOT APPLICABLE	34566-4523	0	G	BLUE			78	77		75	74		72		70	69		67		65	64	63	62					
						60		58	57		55	54		52	51	50	49		47		45								
						40		38	37						33	32	31				27	26	25	24					
						20		18	17										10	9	8		6	5			3	2	1
SALEABLE	NOT APPLICABLE	34566-4533	0	A	BLACK	72			69		67		65		63			60			57	56				53			
									49		47			44	43			40			37	36	35				33		
						73								31	30	29	28				24			21	20			17	
										16	15	14	13				11	10						5	4	3	2	1	
SALEABLE	NOT APPLICABLE	34566-4543	0	B	ST GRAY					68	67			64	63				58	57			55		53				
												46	45		43						38	37			35				
						73								32		30	29	28	27				22	21			19		17
															12			10											1
SALEABLE	NOT APPLICABLE	34566-4553	0	B	ST GRAY					68	67			64	63				58	57					53				
												46	45		43						38	37							
						73								32		30	29	28	27				22	21				17	
																		12		10									

MX123 52/66/73/80-WAY RECEPTACLE ASSY SEALED PIN OUT SHEET

STATUS	GM PART #	HRNS CONN ASSY			TPA	GROMMET CAP																								
		MATERIAL/PART	WIRE DRESS OPTION	KEY OPTION Fp	COLOR OPTION Fp	NUMBERS INDICATE CAVITIES OPEN FOR CIRCUITS																								
		NUMBER																												
SALEABLE	NOT APPLICABLE	34566-4563	0	B	ST GRY						68	67				64	63						58				55			53
											32		46	45		28	27						22				19			17
						73										12		10												1
SALEABLE	NOT APPLICABLE	34566-4573	0	B	ST GRY						68	67				64	63						58				53			
													46	45		43							38							
						73										32		30	29	28	27				22				17	
						73											12		10											
SALEABLE	NOT APPLICABLE	34566-4583	0	B	ST GRY						68	67				64							58				53			
													46	45									38							
						73										32		30	29	28	27				22				17	
						73											12		10											
SALEABLE	NOT APPLICABLE	34566-4593	0	B	ST GRY						68	67				64							58				53			
													46	45									38							
						73										32		30	29	28	27				22				17	
						73											12		10											
SALEABLE	NOT APPLICABLE	34566-4613	0	A	BLACK	72			69		67	66	65		63				60			57	56			53				
									49		47			44	43	42		40			37	36	35		33					
						73										31	30	29	28	27	26		24			21	20			17
						73										16	15	14	13		11	10			5	4	3	2	1	
SALEABLE	NOT APPLICABLE	34566-4623	0	B	ST GRY	72		70		68		66						60	59			55	54	53						
						52		50		48		46						40	39			35	34	33						
						73										32	31	30	29	28	27	26	25	24	23					17
						73										16					10		8	7					2	1
SALEABLE	NOT APPLICABLE	34566-4633	0	A	BLACK		71	70	69					64	63			60	59	58		56	55	54	53					
						52	51		49		47		45	44	43	42	41			38		36		34						
						73										32		30		28		26			21	19	18			
						73										16	15			12		10		8			5	3		
SALEABLE	NOT APPLICABLE	34566-4643	0	B	ST GRY	72		70		68		66					60	59			55	54	53							
						52		50		48		46					40	39			35	34	33							
						73										32	31	30	29	28	27	26	25	24	23					17
						73										16					10		8	7					2	1
SALEABLE	NOT APPLICABLE	34566-4653	0	A	BLACK		71	70	69		67			64	63			60	59	58		56	55	54	53					
						52	51		49		47		45	44	43	42	41			38		36		34						
						73										32		30		28		26			23					18
						73										16	15			12		10							3	
SALEABLE	NOT APPLICABLE	34566-4663	0	A	BLACK		71	70	69					64	63			60	59	58		56	55	54	53					
						52	51		49		47		45	44	43	42	41			38		36		34						
						73										32		30		28		26				19	18			
						73										16	15			12		10							3	
SALEABLE	NOT APPLICABLE	34566-4673	0	A	BLACK						67	66																		
											47						41													
						73										32	31	30	29		27	26	25		22	21		19	18	17
						73										16	15	14	13		10	9	8	7	6	5	4	3		
SALEABLE	NOT APPLICABLE	34566-4683	9	B	ST GRY	72	71	70	69	68	67	66	65	64		62	61	60	59	58	57	56	55	54						
						52	51	50	49			46		44			41	40		38	37	36								
						73										32	31	30	29	28	27		25	24		21	20		18	17
						73										16	15	14	13	12		10	9	8	7	6	5	4	3	2
SALEABLE	NOT APPLICABLE	34566-4693	0	B	ST GRY	72	71	70	69	68	67	66	65			61	60			57	56	55	54							
						52	51	50	49	48		46		44			41	40		38	37	36								
						73										32	31	30	29	28	27		24		21	20		19	18	17
						73										16	15	14	13	12	11	10	9	8	7	6	5	4		2
SALEABLE	NOT APPLICABLE	34566-4713	0	A	BLACK	72	71	70	69		67			64	63			60	59			56	55	54	53					
						52	51		49		47		45	44	43	42	41					36		34						
						73										32		30		28		26			23					19
						73										16	15			12		10							3	
SALEABLE	NOT APPLICABLE	34566-4723	0	A	BLACK	72	71	70	69					64	63			60	59	58		56	55	54	53					
						52	51		49		47		45	44	43	42	41					36		34						
						73										32		30		28		26								19
						73										16	15			12		10								3

MX123 52/66/73/80-WAY RECEPTACLE ASSY SEALED PIN OUT SHEET

STATUS	GM PART #	HRNS CONN ASSY			TPA	GROMMET CAP																						
		MATERIAL/PART	WIRE DRESS OPTION	KEY OPTION Fp	COLOR OPTION Fp	NUMBERS INDICATE CAVITIES OPEN FOR CIRCUITS																						
		NUMBER				Fp																						
SALEABLE	NOT APPLICABLE	34566-4733	0	A	BLACK	72	71	70	69					64	63			60	59	58		56	55	54	53			
						52	51		49		47		45	44	43	42	41						21		36		19	18
						73				32		30		28		26							8		5		3	
SALEABLE	NOT APPLICABLE	34566-4743	9	A	BLACK	72	71	70	69		67		65	64	63	62	61	60	59	58	57	56	55	54	53			
						52	51	50	49	48	47		45	44	43	42	41	40	39		37	36				34		
						73				32		30	29	28	27	26		24	23		21				19	18	17	
SALEABLE	NOT APPLICABLE	34566-4753	0	B	ST GRAY					68	67			64						58								
											46	45										38						
						73				32		30	29	28	27						22							17
SALEABLE	NOT APPLICABLE	34566-4763	0	B	ST GRAY					68	67			64														
											46	45																
						73				32		30	29	28	27													17
SALEABLE	NOT APPLICABLE	34566-4773	0	B	ST GRAY					68	67			64					59	58					54			
											46	45								39	38							
						73				32		30	29	28	27					23	22							17
SALEABLE	NOT APPLICABLE	34566-4783	0	B	ST GRAY					68	67			64	63						55							
											46	45			43							38				35		
						73				32		30	29	28	27							22				19		17
SALEABLE	NOT APPLICABLE	34566-4793	0	B	ST GRAY					68	67			64	63					58								
											46	45			43							38						
						73				32		30	29	28	27							22						17
SALEABLE	NOT APPLICABLE	34566-4813	9	B	ST GRAY					68	67			64					59	58					54			
											46	45								39	38							
						73				32		30	29	28	27					23	22							17
SALEABLE	NOT APPLICABLE	34566-4823	0	C	BLUE					68	67	66	65	64					59	58	57		55	54	53			
							51	50	49	48		46	45		43	42	41	40	39	38	37			35			33	
						73				32	31	30				26		24	23	22				20				
SALEABLE	NOT APPLICABLE	34566-4833	0	C	BLUE	72		70		68	67	66			63	62			59		57				53			
						52	51			48	47	46		44		42		40	39		37	36				34	33	
						73				32		30			27	26	25	24		22	21							
SALEABLE	NOT APPLICABLE	34566-4843	0	C	BLUE	72		70		68	67	66			63	62			59		57				53			
						52	51			48	47	46		44		42		40	39	38	37	36				34	33	
						73				32		30			27	26	25	24		22	21							
SALEABLE	NOT APPLICABLE	34566-4853	0	C	BLUE	72		70		68		66			63	62			59		57	56	55		53			
						52	51			48	47	46		44		42		40	39		37	36				34	33	
						73				32		30			27	26	25	24		22	21			19	18			
SALEABLE	NOT APPLICABLE	34566-4863	0	C	BLUE	72		70		68		66			63	62			59		57				53			
						52	51			48	47	46		44		42		40	39	38	37	36				34	33	
						73				32		30			27	26	25	24		22	21							
SALEABLE	NOT APPLICABLE	34566-4873	0	C	BLUE	72		70		68		66			63	62			59		57				53			
						52	51			48	47	46		44		42		40	39		37	36				34	33	
						73				32		30			27	26	25	24		22	21							
SALEABLE	NOT APPLICABLE	34566-4883	9	A	BLACK	72			69		67		65		63			60			57	56			53			
									49		47	46		44	43			40			37	36	35				33	
						73				32		30	29	28				24			21	20						17

MX123 52/66/73/80-WAY RECEPTACLE ASSY SEALED PIN OUT SHEET

STATUS	GM PART #	HRNS CONN ASSY			TPA	GROMMET CAP																						
		MATERIAL/PART	WIRE DRESS OPTION	KEY OPTION Fp	COLOR OPTION Fp	NUMBERS INDICATE CAVITIES OPEN FOR CIRCUITS																						
		NUMBER				Fp																						
SALEABLE	NOT APPLICABLE	34566-5063	9	H	ST GRAY	80	79	78	77	76	75	74	73	72	71	70	69	68	67	66	65	64	63	62	61			
						60	59	58	57	56	55	54	53	52	51	50	49	48	47	46	45	44	43	42	41			
						40	39	38	37		35	34	33	32		30	29		27	26		24	23	22	21			
						20	19	18	17			14	13	12	11	10	9	8		6	5			3	2			
SALEABLE	NOT APPLICABLE	34566-5073	9	A	BLACK	72	71	70	69	68	67	66	65	64	63	62	61	60	59	58	57	56	55	54	53			
						52	51	50	49	48	47	46	45	44	43	42	41	40	39	38	37	36		34	33			
						73				32	31	30	29	28	27	26		24	23	22	21	20	19	18				
						73				16			13	12	11	10	9	8										1
SALEABLE	NOT APPLICABLE	34566-5083	9	A	BLACK			70	69						63	62	61	60		58	57	56	55	54	53			
						52	51		49				44	43	42	41			38	37					34			
						73				32			29	28	27	26			23						19	18		
						73				16	15		13	12	11	10		8							3			
SALEABLE	NOT APPLICABLE	34566-5093	0	B	ST GRAY	72	71	70	69	68	67	66	65	64	63	62	61	60	59	58	57	56	55	54	53			
						52	51	50	49	48	47	46	45	44	43	42	41	40	39	38	37	36	35	34	33			
						73							29		27				23	22	21						18	
						73				16	15	14	13					8	7	6	5	4	3					
SALEABLE	NOT APPLICABLE	34566-5113	0	A	BLACK	72	71	70	69	68	67	66		64	63	62		60	59				55	54	53			
						52			49	48				44	43	42	41	40	39					35	34	33		
						73				32			29		27		25	24	23						19	18	17	
						73				16			13	12	11	10	9	8	7	6	5	4	3	2	1			
SALEABLE	NOT APPLICABLE	34566-5123	9	C	BLUE	72		70		68	67	66			63	62		59		57				53				
						52	51			48	47	46	45	44			40	39	38	37	36				34	33		
						73				32		30			27	26	25	24		22	21	20						
						73					15	14				10	9	8		6	5	4				2		
SALEABLE	NOT APPLICABLE	34566-5133	9	B	ST GRAY	72	71	70		68	67	66			62	61	60	59	58	57	56	55	54	53				
						52	51	50		48	47	46			42	41	40	39	38	37	36	35	34	33				
						73				32	31	30	29	28	27	26	25	24	23									
						73				16	15	14	13					9	8									
SALEABLE	NOT APPLICABLE	34566-5143	0	C	BLUE	72		70		68	67	66			63	62		59		57				53				
						52	51			48	47	46		44		42		40	39		37	36			34	33		
						73				32		30				26	25	24		22	21	20						
						73					15	14				10	9	8		6	5	4				2		
SALEABLE	NOT APPLICABLE	34566-5153	0	A	BLACK			70	69						63	62	61	60		58	57	56	55	54	53			
						52	51		49		47			44	43	42	41			37	36	35	34	33				
						73				32			29	28	27	26	25							19	18			
						73				16	15		13	12	11	10									3			
SALEABLE	NOT APPLICABLE	34566-5163	9	A	BLACK	72			69		67		65		63			60			57	56			53			
									49		47			44	43			40			37	36	35			33		
						73					31	30	29	28				24			21	20					17	
						73				16	15	14			11	10				5	4	3	2	1				
SALEABLE	NOT APPLICABLE	34566-5173	9	B	ST GRAY					68	67			64	63			59		57								
												46	45		43			39		37								
						73				32		30	29	28	27					21								
						73										10				6	5	4	3					
SALEABLE	NOT APPLICABLE	34566-5183	0	B	ST GRAY					68	67			64				59	58					54				
												46	45	44				39	38									
						73				32		30	29	28	27				23	22							17	
						73								12		10		8										1
SALEABLE	NOT APPLICABLE	34566-5193	0	A	BLACK			70	69						63	62	61	60		58	57	56	55	54	53			
						52	51		49				44	43	42	41				37	36			34				
						73				32			29	28	27	26								19	18	17		
						73				16	15		13	12	11	10								3	2	1		
SALEABLE	NOT APPLICABLE	34566-5213	0	A	BLACK	72	71	70	69	68	67	66	65	64	63	62	61	60	59				55	54	53			
						52			49	48				44	43	42	41	40	39					35	34	33		
						73				32			29		27		25	24	23					19	18	17		
						73				16			13	12	11		9	8	7	6	5	4	3	2	1			
SALEABLE	NOT APPLICABLE	34566-5223	0	C	BLUE	72		70			67	66			63	62			59		57				53			
						52	51			48		46		44		42		40	39						34	33		
						73				32		30			27	26	25		22	21								
						73					15	14				10	9		6	5	4							

MX123 52/66/73/80-WAY RECEPTACLE ASSY SEALED PIN OUT SHEET

STATUS	GM PART #	HRNS CONN ASSY			TPA	GROMMET CAP																						
		MATERIAL/PART	WIRE DRESS OPTION	KEY OPTION Fp	COLOR OPTION Fp	NUMBERS INDICATE CAVITIES OPEN FOR CIRCUITS																						
		NUMBER				Fp																						
SALEABLE	NOT APPLICABLE	34566-5233	0	C	BLUE	72		70		68	67	66			63	62			59		57	56	55		53			
						52	51			48	47	46		44		42		40	39	38		22	21		19	18	34	33
						73						32		30				26	25			6	5	4	3			
SALEABLE	NOT APPLICABLE	34566-5243	0	C	BLUE	72	71	70	69	68	67	66	65		63	62	61		59	58	57	56	55	54	53			
							51	50	49	48		46	45	44	43	42	41	40	39	38		36	35	34	33			
						73						31	30	29	28	27	26	25			22	21	20	19	18	17		
SALEABLE	NOT APPLICABLE	34566-5253	0	B	ST GRAY						67	66			63			59	58	57	56	55		53				
								50	49	48		46	45		43			39	38	37	36	35	34	33				
						73								29	27				23	22	21			18				
SALEABLE	NOT APPLICABLE	34566-5263	0	B	ST GRAY						67	66			63			59	58	57	56	55		53				
								50	49	48		46	45		43			39	38	37	36	35	34	33				
						73						16	15	14	13				8	7	6	5	4	3				
SALEABLE	NOT APPLICABLE	34566-5273	0	A	BLACK			70	69						63	62	61	60		58	57	56	55	54	53			
						52	51		49				44	43	42	41				37	36		34					
						73						32			29	28	27	26		23				19	18			
SALEABLE	NOT APPLICABLE	34566-5283	0	C	BLUE			70		68	67	66			63	62			59		57	56	55	54	53			
						52	51			48	47	46		44		42		40	39					34	33			
						73						32		30				26	25			22	21		19	18		
SALEABLE	NOT APPLICABLE	34566-5293	0	A	BLACK			70	69						63	62	61	60		58	57	56	55	54	53			
						52	51		49				44	43	42	41	40			37	36		34					
						73						32			29	28	27	26					19	18	17			
SALEABLE	NOT APPLICABLE	34566-5313	0	C	BLUE			70		68	67	66			63	62			59		57	56	55		53			
						52	51			48	47	46		44		42		40	39	38	37	36		34	33			
						73						32		30			27	26	25	24		22	21		19	18		
SALEABLE	NOT APPLICABLE	34566-5323	0	G	BLUE	80		78	77		75	74	73	72		70	69		67		65	64	63	62				
						60		58	57		55	54		52	51	50	49		47		45							
						40		38	37				33	32	31				27	26	25	24						
SALEABLE	NOT APPLICABLE	34566-5333	0	A	BLACK			70	69						63	62	61	60		58	57	56	55	54	53			
						52	51		49				44	43	42	41	40			37	36		34					
						73						32			29	28	27	26					19	18	17			
SALEABLE	NOT APPLICABLE	34566-5343	0	B	ST GRAY					68	67			64			59	58						54				
											46	45					39	38										
						73						32		30	29	28	27			23	22						17	
SALEABLE	NOT APPLICABLE	34566-5353	9	B	ST GRAY					68	67			64	63			59	58			55	54					
											46	45	44	43			39	38			35	34						
						73						32		30	29	28	27			23	22			19			17	
SALEABLE	NOT APPLICABLE	34566-5363	0	C	BLUE			70		68		66			63	62			59		57			53				
						52	51			48	47	46		44		42		40	39	38				34	33			
						73						32		30				26	25			22	21					
SALEABLE	NOT APPLICABLE	34566-5373	0	C	BLUE			70		68		66			63	62			59		57			53				
						52	51			48	47	46		44		42		40	39					34	33			
						73						32		30				26	25			22	21					
SALEABLE	NOT APPLICABLE	34566-5383	0	C	BLUE			70		68		66			63	62			59		57			53				
						52	51			48	47	46		44		42		40	39			37	36		34	33		
						73						32		30				26	25	24		22	21					

MX123 52/66/73/80-WAY RECEPTACLE ASSY SEALED PIN OUT SHEET

STATUS	GM PART #	HRNS CONN ASSY			TPA	GROMMET CAP																						
		MATERIAL/PART	WIRE DRESS OPTION	KEY OPTION Fp	COLOR OPTION Fp	NUMBERS INDICATE CAVITIES OPEN FOR CIRCUITS																						
		NUMBER				Fp																						
SALEABLE	NOT APPLICABLE	34566-5563	0	A	BLACK	72	71	70	69					64	63			60	59	58	57	56	55	54	53			
						52	51		49	48	47		45	44	43	42	41								36		34	33
						73				32		30		28		26											19	18
SALEABLE	NOT APPLICABLE	34566-5573	0	C	BLUE	72		70		68		66			63	62			59	58	57	56	55		53			
						52	51		49	48	47	46		44		42		40	39	38	37	36				34	33	
						73				32		30				26	25	24	23	22	21	20	19	18	17			
SALEABLE	NOT APPLICABLE	34566-5583	0	B	ST GRAY	72		70		68		66		64	63			60	59					55	54	53		
						52		50		48		46				40	39									35	34	33
						73				32	31	30	29	28	27	26	25	24	23			20						2
SALEABLE	NOT APPLICABLE	34566-5593	0	C	BLUE	72		70		68		66			63	62			59		57			55		53		
						52	51			48	47	46		44		42		40	39								34	33
						73				32		30				26	25		23	22	21							
SALEABLE	NOT APPLICABLE	34566-5613	0	C	BLUE	72		70		68		66			63	62			59	58	57				53			
						52	51			48	47			44		42		40	39		37	36				34	33	
						73				32		30			27	26	25	24	23	22	21	20					2	1
SALEABLE	NOT APPLICABLE	34566-5623	0	C	BLUE	72		70		68		66			63	62			59		57				53			
						52	51			48	47			44		42		40	39		37	36				34	33	
						73				32		30			27	26	25	24	23	22	21	20					2	
SALEABLE	NOT APPLICABLE	34566-5633	0	B	ST GRAY	72										62	61											
						52				48		46		44	43		41	40								20	19	18
						73				16	15	14															4	
SALEABLE	NOT APPLICABLE	34566-5643	0	B	ST GRAY	72										62	61											
						52				48		46			43		41	40										
						73				16	15	14															20	19
SALEABLE	NOT APPLICABLE	34566-5653	0	A	BLACK	72	71	70	69	68		66	65	64	63		61	60			57	56			54	53		
						52	51	50	49	48		46	45	44	43		41	40	39	38	37	36				34	33	
						73				32	31	30	29	28		26	25		23	22	21							2
SALEABLE	NOT APPLICABLE	34566-5663	0	C	BLUE				69		67	66	64		62		60			57			55	54				
						52	51	50		48		46	45	44		42						37			35	34	33	
						73				32	31			28	27	26										19	18	
SALEABLE	NOT APPLICABLE	34566-5673	0	C	BLUE				69		67	66	64		62		60			57			55	54				
						52	51	50	49	48		46	45	44		42					37			35	34	33		
						73				32	31			28	27	25											18	
SALEABLE	NOT APPLICABLE	34566-5683	0	B	ST GRAY	72										62	61											
						52				48		46		44	43		41	40								20	19	18
						73				16		14															4	
SALEABLE	NOT APPLICABLE	34566-5693	0	A	BLACK	72	71	70	69	68		66	65	64	63		61	60			57	56			54	53		
						52	51	50	49	48		46	45	44	43		41	40	39	38	37	36				34	33	
						73				32	31	30	29	28		26	25		23	22	21	20						2
SALEABLE	NOT APPLICABLE	34566-5713	0	C	BLUE				69		67	66	64		62		60			57			55	54				
						52	51	50		48		46	45	44		42					37			35	34	33		
						73				32	31			28	27	26										19	18	17
SALEABLE	NOT APPLICABLE	34566-5723	0	C	BLUE				69		67	66	64		62		60			57			55	54				
						52	51	50	49	48		46	45	44		42				37						34	33	
						73				32	31			28	27	25											18	

MX123 52/66/73/80-WAY RECEPTACLE ASSY SEALED PIN OUT SHEET

STATUS	GM PART #	HRNS CONN ASSY			TPA	GROMMET CAP																							
		MATERIAL/PART	WIRE DRESS OPTION	KEY OPTION Fp	COLOR OPTION Fp	NUMBERS INDICATE CAVITIES OPEN FOR CIRCUITS																							
		NUMBER				Fp																							
SALEABLE	NOT APPLICABLE	34566-5733	0	A	BLACK	52	71	70	69					64	63			60	59	58	57	56	55	54	53				
							51		49				45	44	43	42	41								36				
						73				32		30		28		26											19	18	
SALEABLE	NOT APPLICABLE	34566-5743	0	A	BLACK	52	71	70	69		67			64	63			60	59		57	56	55	54	53				
							51		49				45	44	43	42	41								37	36		34	
						73				32		30		28		26												19	18
SALEABLE	NOT APPLICABLE	34566-5753	0	A	BLACK	52	71	70	69					64	63			60	59		57	56	55	54	53				
							51		49				45	44	43	42	41									37	36		34
						73				32		30		28		26				23			21				19	18	
SALEABLE	NOT APPLICABLE	34566-5763	0	C	BLUE	72		70		68		66			63	62			59	58	57					53			
						52	51			48	47	46		44		42		40	39			37	36				34	33	
						73				32		30			27	26	25	24			22	21	20						
SALEABLE	NOT APPLICABLE	34566-5773	0	C	BLUE	72		70		68		66			63	62			59	58	57					53			
						52	51			48	47			44		42		40	39			37	36				34	33	
						73				32		30			27	26	25	24			22	21	20						
SALEABLE	NOT APPLICABLE	34566-5783	0	C	BLUE	72		70		68		66			63	62			59	58	57					53			
						52	51			48	47			44		42		40	39			37	36				34	33	
						73				32		30			27	26	25	24			22	21	20						
SALEABLE	NOT APPLICABLE	34566-5793 SAME AS P/N 34566-4013	0	B	ST GRN	72		70		68		66					60	59						55	54	53			
						52		50		48		46					40	39								35	34	33	
						73				32	31	30	29	28	27	26	25	24											17
SALEABLE	NOT APPLICABLE	34566-5813	0	B	ST GRN	72		70		68		66					60	59						55	54	53			
						52		50		48		46					40	39								35	34	33	
						73				32	31	30	29	28	27	26	25	24	23								19	18	17
SALEABLE	NOT APPLICABLE	34566-5823	0	A	BLACK	72		70							63														
						52			49						43		41												
						73					31	30		28	27	26			23						20	19			
SALEABLE	NOT APPLICABLE	34566-5833	0	A	BLACK	72		70							63														
						52			49						43		41												
						73					31	30		28	27	26			23						20	19			
SALEABLE	NOT APPLICABLE	34566-5843	0	H	ST GRN		79																						
							59		57			74	73	72	71			68	67			65	64	63	62	61			
								38				34	33					29	27			25							
SALEABLE	NOT APPLICABLE	34566-5853	0	H	ST GRN		79																						
							59		57			74	73	72	71			68	67			65	64	63	62	61			
								38				34	33					29	27			25							
SALEABLE	NOT APPLICABLE	34566-5863	0	C	BLUE	72		70				66			63	62			59		57	56	55		53				
						52	51					46	44		42		40	39			37	36				34	33		
						73				32		30				26	25			22	21					19	18		
SALEABLE	NOT APPLICABLE	34566-5873	0	B	ST GRN	72																							
						52				48	47	46		44	43		41	40								20	19	18	
						73				16	15	14															4		
SALEABLE	NOT APPLICABLE	34566-5883	0	B	ST GRN	72										62	61												
						52				48	47	46			43		41	40											
						73						30															20	19	18

MX123 52/66/73/80-WAY RECEPTACLE ASSY SEALED PIN OUT SHEET

STATUS	GM PART #	HRNS CONN ASSY			TPA	GROMMET CAP																				
		MATERIAL/PART	WIRE DRESS OPTION	KEY OPTION Fp	COLOR OPTION Fp	NUMBERS INDICATE CAVITIES OPEN FOR CIRCUITS																				
		NUMBER				Fp																				
SALEABLE	NOT APPLICABLE	34566-5893	0	C	BLUE	52	51	50	69	48	67	66	45	44	62	60	57	55	54	33	34	35	19	18		
						73			32	28	27	26	11	10	9											
										16	15	14	13	12	11	10	9									
SALEABLE	NOT APPLICABLE	34566-5913	0	C	BLUE	52	51	50	49	68	67	66	64	61	60	57	54	33	34	35	19	18				
						73			32	28	27	25	11	10	9											
										16	15	14	13	12	11	10	9									
SALEABLE	NOT APPLICABLE	34566-5933	0	C	BLUE	72		70		68		66		63	62	59	57	56	55	33	34	35				
						52	51			48	47	46	44	42	40	39										
						73			32	30			26	25	23	22	21									
SALEABLE	NOT APPLICABLE	34566-5943	0	C	BLUE	72		70		68	67	66		63	62	59	57	56	55	33	34	35				
						52	51		49	48	47	46	44	42	40	39										
						73			32	30			27	26	25		22	21	20							
SALEABLE	NOT APPLICABLE	34566-5953	0	A	BLACK		71	70	69				65	64	63	62	61	60	58	57	56	55	54	53		
						52	51		49	48	47		45	44	43	42	41									
						73			32		30	29	28	27	26		24									
SALEABLE	NOT APPLICABLE	34566-5963	0	B	ST GRAY	72	71	70		68	67	66			61	60	59	58	57	56	55	54	53			
						52	51	50		48	47	46			42	41	40	39	38	37	36	35	34	33		
						73			32	31	30	29	28	27	26	25	24									
SALEABLE	NOT APPLICABLE	34566-5973	0	C	BLUE	72		70		68	67	66		63	62	59	57	56	55	33	34	35				
						52	51			48	47	46	44	42	40	39										
						73			32	30			27	26	25		22	21								
SALEABLE	NOT APPLICABLE	34566-5983	0	C	BLUE				69		67	66	64		62	60	57	55	54	33	34	35				
						52	51	50		48		46	45	44	42											
						73			32			28	27	26												
SALEABLE	NOT APPLICABLE	34566-5993	0	A	BLACK		71	70	69		67	66	65	63	62	61	60	58	57	56	55	54	53			
						52	51	50	49	48	47		45	44	43	42	41	40	39	37	36	35	34	33		
						73			32	31	30	29	28	27	26	25	24	23								
SALEABLE	NOT APPLICABLE	34566-6013	0	B	ST GRAY				69		67	66	65		61	60	59	58	57	54	53					
							51	50	49	48	47	46	45	43		40	39									
						73			32	31	30	29			26		24	23	22	21	20					
SALEABLE	NOT APPLICABLE	34566-6023	0	A	BLACK	72	71	70	69	68	67				60	59	58	57	56	54	53					
						52	51	50	49	48	47		45	44	43		40	39	38	37	36	35	34	33		
						73			32	31	30	29	28			24	23	22	21	20	19					
SALEABLE	NOT APPLICABLE	34566-6033	0	A	BLACK			70	69					63	62	61		58	57	56	55	54	53			
						52	51		49	48			44	43	42	41										
						73			32			29	28	27	26											
SALEABLE	NOT APPLICABLE	34566-6043	0	B	ST GRAY					68	67	66	65	64			58		55							
												46	45													
						73			32		30	29	28	27												
SALEABLE	NOT APPLICABLE	34566-6053	0	B	ST GRAY					68	67	66	65	64		62	61									
						52				48	47	46		43		41	40									
						73					30															
SALEABLE	NOT APPLICABLE	34566-6063	0	C	BLUE				69		67	66	64		62	60	57	55	54							
						52	51	50		48		46	45	44	42											
						73			32			28	27	26												

MX123 52/66/73/80-WAY RECEPTACLE ASSY SEALED PIN OUT SHEET

STATUS	GM PART #	HRNS CONN ASSY			TPA	GROMMET CAP																						
		MATERIAL/PART	WIRE DRESS OPTION	KEY OPTION Fp	COLOR OPTION Fp	NUMBERS INDICATE CAVITIES OPEN FOR CIRCUITS																						
		NUMBER				Fp																						
SALEABLE	NOT APPLICABLE	34566-6273	9	B	ST GRAY	52	71	70	69				65	64	63	62	61	60		58	57	56	55	54	53			
										48	47		45	44	43	42	41		39						36			
						73			32		30	29	28	27	26			24								19	18	
SALEABLE	NOT APPLICABLE	34566-6283	9	C	BLUE	72		70		68	67	66			63	62			59		57				53			
						52	51			48	47	46		44				40	39							34	33	
						73			32		30			27	26	25			22	21								
SALEABLE	NOT APPLICABLE	34566-6293	9	B	ST GRAY	72	71	70		68	67	66			62	61	60	59	58	57	56	55	54	53				
						52	51	50		48	47	46			42	41	40	39	38	37	36	35	34	33				
						73			32	31	30	29	28	27	26	25	24											17
SALEABLE	NOT APPLICABLE	34566-6313	9	B	ST GRAY			70	69						63	62	61	60		58	57	56	55	54	53			
						52	51	50	49					44	43	42	41		39							34	33	
						73			32			29	28	27	26											19	18	
SALEABLE	NOT APPLICABLE	34566-6323	9	B	ST GRAY		71	70	69						64	63			60	59	58	57	56	55	54	53		
						52	51	50	49				45	44	43	42	41		39								34	33
						73			32		30			28		26											19	18
SALEABLE	NOT APPLICABLE	34566-6333	9	C	BLUE	72		70		68	67	66			63	62			59		57	56	55	54	53			
						52	51			48	47	46		44				40	39							34	33	
						73			32		30			27	26	25			22	21						19	18	
SALEABLE	NOT APPLICABLE	34566-6343	9	A	BLACK			70	69						63	62	61	60		58	57	56	55	54	53			
						52	51	50	49				44	43	42	41	40	39								34	33	
						73			32			29	28	27	26											19	18	17
SALEABLE	NOT APPLICABLE	34566-6353	9	C	BLUE	72		70		68		66			63	62			59	58	57	56	55	54	53			
						52	51			48	47	46		44				40	39							34	33	
						73			32		30			27	26	25			23	22	21	20						17
SALEABLE	NOT APPLICABLE	34566-6363	9	B	ST GRAY	72		70		68		66					60	59					55	54	53			
						52		50		48		46					40	39							35	34	33	
						73			32	31	30	29	28	27	26	25	24	23								19	18	17
SALEABLE	NOT APPLICABLE	34566-6373	9	A	BLACK		71	70	69		67			64	63			60	59	58	57	56	55	54	53			
						52	51	50	49		47		45	44	43	42	41	40	39							34	33	
						73			32		30		28		26			23		21						19	18	17
SALEABLE	NOT APPLICABLE	34566-6383	9	A	BLACK	72	71	70	69	68		66	65	64	63		61	60			57	56		54	53			
						52	51	50	49	48		46	45	44	43	42	41	40	39	38	37	36			34	33		
						73			32	31	30	29	28					23	22	21								1
SALEABLE	NOT APPLICABLE	34566-6393	9	C	BLUE		71	70	69		67	66	65	64		62	61	60		58	57		55	54				
						52	51	50	49	48	47	46	45	44		42	41		38	37					35	34	33	
						73			32			28	27	26	25											19	18	17
SALEABLE	NOT APPLICABLE	34566-6413	9	B	ST GRAY	72				68	67				63	62	61	60	59				55					
						52				48	47	46		44	43		41	40							36	35		
						73					30			27												20	19	18
SALEABLE	NOT APPLICABLE	34566-6423	9	C	BLUE			70	69		67	66	65	64								56		54				
						52	51	50	49		47	46	45	44				39	38							34		
						73					31	30	29	28		26	25		23	22	21							17
SALEABLE	NOT APPLICABLE	34566-6433	9	A	BLACK	72		70			67				63			60	59	58	57	56	55					
						52	51			48	47	46			43	42		40	39	38	37	36	35					
						73								28	27			9		7							18	17

MX123 52/66/73/80-WAY RECEPTACLE ASSY SEALED PIN OUT SHEET

STATUS	GM PART #	HRNS CONN ASSY			TPA	GROMMET CAP																						
		MATERIAL/PART	WIRE DRESS OPTION	KEY OPTION Fp	COLOR OPTION Fp	NUMBERS INDICATE CAVITIES OPEN FOR CIRCUITS																						
		NUMBER				Fp																						
SALEABLE	NOT APPLICABLE	34566-6443	9	B	ST GRAY	72	71	70	69	68	67	66	65	64	63		61	60			57	56	55					
						52	51	50	49	48	47	46	45	44	43		26	25	24	23	22	21	20	19	18	17		
						73				32	31	30	29	28		11		9	8	7	6	5	4	3	2	1		
SALEABLE	NOT APPLICABLE	34566-6453	0	C	BLUE		71	70	69		67		65	64		62	61	60			57			54				
						52	51	50	49	48	47	46	45	44		42	41				37				34	33		
						73				32				28	27	26	25									18	17	
SALEABLE	NOT APPLICABLE	34566-6463	0	B	ST GRAY	72				68	67					62	61							55				
						52				48	47	46			43													
						73						30												20	19	18		
SALEABLE	NOT APPLICABLE	34566-6473	9	C	BLUE			70	69		67	66		64		62		60			57		55	54				
						52	51	50		48		46	45	44		42						37			35	34	33	
						73				32				28	27	26										19	18	17
SALEABLE	NOT APPLICABLE	34566-6483	9	A	BLACK	72	71	70	69	68		66	65	64	63		61	60			57	56		54	53			
						52	51	50	49	48		46	45	44	43			40	39	38	37	36			34	33		
						73				32	31	30	29	28		26	25		23	22	21	20						
SALEABLE	NOT APPLICABLE	34566-6493	9	B	ST GRAY	72			70							62	61							55				
						52				48	47	46			43			41	40									
						73						30												20	19	18		
SALEABLE	NOT APPLICABLE	34566-6513	0	B	ST GRAY	72				68	67					62	61						55	54				
						52						46			43			40										
						73				16	15	14							8						4	3	2	1
SALEABLE	NOT APPLICABLE	34566-6523	0	B	ST GRAY					68	67			64					59	58								
												46	45						39	38								
						73				32		30	29	28	27				23	22								17
SALEABLE	NOT APPLICABLE	34566-6533	9	B	ST GRAY					68	67			64														
												46	45															
						73				32		30	29	28	27													17
SALEABLE	NOT APPLICABLE	34566-6543	9	A	BLACK	72	71	70	69	68		66	65	64	63		61	60			57	56		54	53			
						52	51	50	49	48		46	45	44	43			40	39	38	37	36			34	33		
						73				32	31	30	29	28		26	25		23	22	21	20						
SALEABLE	NOT APPLICABLE	34566-6553	9	A	BLACK	72	71	70	69		67		64	63		60	59	58	57	56	55	54	53					
						52	51	50	49		47		45	44	43	42	41	40	39		37	36			34			
						73				32		30		28		26								19	18	17		
SALEABLE	NOT APPLICABLE	34566-6563	9	C	BLUE	72			70		66			63	62			59	58	57								
						52	51			48	47	46		44				40	39						34	33		
						73				32		30			27	26	25		23	22	21	20						17
SALEABLE	NOT APPLICABLE	34566-6573	9	A	BLACK					68	67			64														
												47		45	44	43	42	41	40	39		37	36					
						73				32		30		28		26			23		21		19	18				
SALEABLE	NOT APPLICABLE	34566-6583	9	A	BLACK				70	69					63	62	61	60		58	57	56	55	54	53			
						52	51	50	49					44	43	42	41	40	39		37	36					34	
						73				32			29	28	27	26										19	18	
SALEABLE	NOT APPLICABLE	34566-6593	0	C	BLUE				69		67			64		62		60			57		55	54				
						52	51	50		48		46	45	44		42						37		35	34	33		
						73				32				28	27	26								20	19	18	17	

MX123 52/66/73/80-WAY RECEPTACLE ASSY SEALED PIN OUT SHEET

STATUS	GM PART #	HRNS CONN ASSY			TPA	GROMMET CAP																						
		MATERIAL/PART	WIRE DRESS OPTION	KEY OPTION Fp	COLOR OPTION Fp	NUMBERS INDICATE CAVITIES OPEN FOR CIRCUITS																						
		NUMBER				Fp																						
SALEABLE	NOT APPLICABLE	34566-6613	0	A	BLACK	72	71	70	69			66		64	63		61	60			57	56		54	53			
						52	51	50	49			46	45	44	43		26	25		23	22	21				34	33	
						73				32	31	30	29	28					9		7	6	5				2	1
SALEABLE	NOT APPLICABLE	34566-6623	9	B	ST GRAY					68	67			64					59	58			54					
												46	45						39	38								
						73				32		30	29	28	27					23	22							17
SALEABLE	NOT APPLICABLE	34566-6633	9	C	BLUE				69		67	66		64		62		60			57			54				
						52	51	50		48		46	45	44		42						37				34	33	
						73								28	27	26												
SALEABLE	NOT APPLICABLE	34566-6643	9	C	BLUE		71			68	67		65	64	63		61	60		58	57			54				
						52	51	50		48			45		43		41				38	37				34	33	
						73								28	27		25											18
SALEABLE	NOT APPLICABLE	34566-6653	9	B	ST GRAY	72				68						62	61	60	59					55				
						52				48	47	46		44	43		41	40		38	37	36	35					
						73						30										20	19	18				
SALEABLE	NOT APPLICABLE	34566-6663	9	A	BLACK					68			65	64	63		60			57	56			54				
						52	51	50	49	48		46	45	44	43	42		40	39	38	37	36				34		
						73				32	31	30	29	28			26	25		23	22	21	20					2
SALEABLE	NOT APPLICABLE	34566-6673	9	B	ST GRAY	72	71	70	69	68	67	66	65	64	63		61	60	59		57	56	55					
						52	51	50	49	48	47	46	45	44	43		41	40	39	38	37	36	35	34	33			
						73				32	31	30	29	28			26		24	23	22	21	20	19	18	17		
SALEABLE	NOT APPLICABLE	34566-6683	9	A	BLACK			70		67					63		60	59	58	57								
						52				48	47	46			43	42		40	39	38	37							
						73				32	31	30	29	28	27						22	21						2
SALEABLE	NOT APPLICABLE	34566-6693	9	C	BLUE	72	71	70	69		67	66	65	64						56				54				
						52	51	50	49		47	46	45	44					39	38						34		
						73						31	30	29	28			26	25	24	23	22	21					17
SALEABLE	TBD	34822-0063	9	A	BLACK		63	62	61	60	59					54	53		51		49		66					
							47									38	37		35		33							
						65									28			25			22	21	20	19	18	17		
SALEABLE	NOT APPLICABLE	34566-6713	9	A	BLACK	72	71	70	69	68		66	65	64	63		61	60		57	56			54	53			
						52	51	50	49	48		46	45	44	43	42	41	40	39	38	37	36				34	33	
						73				32	31	30	29	28			26	25		23	22	21						2
SALEABLE	NOT APPLICABLE	34566-6723	0	H	ST GRAY		79					74	73					67		65	64	63	62	61				
							59						53	52							25		44	43	42	41		
								38					33							27								
SALEABLE	NOT APPLICABLE	34566-6733	0	G	BLUE			78	77		75	74		72		70				64	63							
						60		58	57		55	54		52	51	50	49		47		45							
						40	39	38	37				33	32	31				27	26								
SALEABLE	NOT APPLICABLE	34566-6743	9	C	BLUE					68	67		65	64	63		61	60		57				34	33			
						52	51	50		48		46	45		43		41				37							
						73								28	27		25											
SALEABLE	NOT APPLICABLE	34566-6753	9	A	BLACK	72	71	70	69	68		66	65	64		61	60		57	56			54	53				
						52	51	50	49	48		46	45	44	43	42		40	39	38	37	36				34	33	
						73						31	30	29	28					23	22	21	20					2

MX123 52/66/73/80-WAY RECEPTACLE ASSY SEALED PIN OUT SHEET

STATUS	GM PART #	HRNS CONN ASSY			TPA	GROMMET CAP																						
		MATERIAL/PART	WIRE DRESS OPTION	KEY OPTION Fp	COLOR OPTION Fp	NUMBERS INDICATE CAVITIES OPEN FOR CIRCUITS																						
		NUMBER				Fp																						
SALEABLE	NOT APPLICABLE	34566-6933	9	B	ST GRAY	72				68	67				63	62	61	60	59				55		53			
						52				48	47	46		44	43		41	40				38	37	36	35			
						73						30			27							22	21	20	19	18	17	
SALEABLE	NOT APPLICABLE	34566-6943	9	A	BLACK	72	71	70	69	68		66	65	64	63		61	60				57	56		54	53		
						52	51	50	49	48		46	45	44	43	42	41	40	39	38	37	36			34	33		
						73				32	31	30	29	28							23	22	21					
SALEABLE	NOT APPLICABLE	34566-6953	0	A	BLACK	72	71	70	69			66	65	64	63		61	60				57	56		54	53		
						52	51	50	49			46	45	44	43			40	39	38	37	36			34	33		
						73				32	31	30	29	28			26	25		23	22	21	20					2
SALEABLE	NOT APPLICABLE	34566-6963	0	B	ST GRAY	72		70		68	67					62	61						55					
						52				48	47	46			43			40								20	19	18
						73						30														4		2
SALEABLE	NOT APPLICABLE	34566-6973	0	C	BLUE		71	70	69			67		65	64		62	61	60			57		55	54			
						52	51	50	49	48	47	46	45	44		42	41						37		35	34	33	
						73				32				28	27	26	25									19	18	17
SALEABLE	NOT APPLICABLE	34566-6983	0	C	BLUE		71		69			67		65	64		62	61	60			57		54				
						52	51	50		48	47	46	45	44		42							37		34	33		
						73								28	27	26											18	
SALEABLE	NOT APPLICABLE	34566-6993	0	G	BLUE			78	77	76									67	66	65							
						40	39	38	37	36	35	34	33	32			29	28					25				21	
						20	19	18	17	16	15	14	13	12													3	1
SALEABLE	NOT APPLICABLE	34566-7013	9	A	BLACK		71	70	69					64	63	62	61	60	59	58	57	56	55	54	53			
						52	51	50	49				45	44	43	42	41		39		37	36			34			
						73				32			29	28	27	26										19	18	
SALEABLE	NOT APPLICABLE	34566-7023	0	A	BLACK	72	71	70	69	68		66	65	64			61	60				57	56		54	53		
						52	51	50	49	48		46	45	44	43			40	39	38	37	36			34	33		
						73						31	30	29	28			26	25		23	22	21	20				
SALEABLE	NOT APPLICABLE	34566-7033	0	A	BLACK			70	69					65		63	62	61	60			58	57	56	55	54	53	
						52	51		49					44	43	42	41						37	36		34		
						73				32			29	28	27	26								21		19	18	
SALEABLE	NOT APPLICABLE	34566-7043	0	B	ST GRAY					68	67				63	62	61	60	59				55					
						52						46			43		41	40										
						73						16		14			11			8					4			
SALEABLE	NOT APPLICABLE	34566-7053	0	C	BLUE		71		69			67		65	64		62	61	60			57		54				
						52	51	50	49	48	47	46	45	44		42	41						37		34	33		
						73				16	15	14	13	12	11	10	9	8	7									
SALEABLE	NOT APPLICABLE	34566-7063	0	C	BLUE	72		70		68	67	66			63	62			59		57				53			
						52	51			48	47	46		44				40	39							34	33	
						73				32		30				26	25				22	21						
SALEABLE	NOT APPLICABLE	34566-7073	9	F	NATURAL				69	68										58	57				33			
						73						30													19	18	17	
																										3	2	1
SALEABLE	NOT APPLICABLE	34566-7083	9	B	ST GRAY																							
						73				16	15	14	13	12	11	10			8	7					3	2	1	

MX123 52/66/73/80-WAY RECEPTACLE ASSY SEALED PIN OUT SHEET

STATUS	GM PART #	HRNS CONN ASSY			TPA	GROMMET CAP																					
		MATERIAL/PART	WIRE DRESS OPTION	KEY OPTION Fp	COLOR OPTION Fp	NUMBERS INDICATE CAVITIES OPEN FOR CIRCUITS																					
		NUMBER				Fp																					
SALEABLE	TBD	34822-0083	9	A	BLACK	63	62	61	60	59						54	53		51		49	66					
						47									39	38	37		35					20	19	18	17
						65									28			25				22	21				
SALEABLE	NOT APPLICABLE	34566-7253	0	B	ST GRAY	72									62	61											
						52				48	47	46		44	43		41	40									
						73																		20	19	18	
SALEABLE	NOT APPLICABLE	34566-7263	0	C	BLUE				69		67	66		64		62		60			57			54			
						52	51	50		48		46	45	44		42						37			34	33	
						73									28	27	26									18	
SALEABLE	NOT APPLICABLE	34566-7273	0	C	BLUE				69		67	66		64		62		60			57		55	54			
						52	51	50		48		46	45	44		42					37			35	34	33	
						73									28	27	26								19	18	17
SALEABLE	NOT APPLICABLE	34566-7283	0	C	BLUE				69		67	66		64		62		60			57			54			
						52	51	50	49	48		46	45	44		42					37			35	34	33	
						73									28	27	25								18		
SALEABLE	NOT APPLICABLE	34566-7293	9	A	BLACK	72	71	70	69	68	67	66	65	64	63	62	61	60	59			57			53		
						52	51	50	49	48	47	46	45	44	43							39			34	33	
						73									32	31	30	29	28	27	26	25	24	23			17
SALEABLE	NOT APPLICABLE	34566-7313	0	B	ST GRAY						67					62	61						55				
						52				48	47	46			43			40									
						73																		22	21	20	19
SALEABLE	NOT APPLICABLE	34566-7333	9	B	ST GRAY	72	71	70	69	68	67	66	65	64	63	62	61	60	59			57	56	55			
						52	51	50	49	48	47	46	45	44	43			41	40	39	38	37	36	35	34	33	
						73									32	31	30	29	28		26		24	23	22	21	20
SALEABLE	NOT APPLICABLE	34566-7343	9	B	ST GRAY					68	67			64	63			59	58			55	54				
												46	45	44	43					39	38			35			
						73									32		30	29	28	27			23	22		19	
SALEABLE	NOT APPLICABLE	34566-7353	9	C	BLUE				69		67	66		64		62		60			57		55	54			
						52	51	50		48	47	46	45	44		42						37			35	34	33
						73									32				28	27	26					19	18
SALEABLE	NOT APPLICABLE	34566-7363	0	B	ST GRAY	72		70		68						62	61	60	59					55			
						52						46		44	43			41	40								
						73																			20	19	18
SALEABLE	NOT APPLICABLE	34566-7373	0	A	BLACK	72	71	70	69	68		66	65	64			61	60			57	56		54	53		
						52	51	50	49	48		46	45	44	43	42		40	39	38	37	36			34	33	
						73										31	30	29	28		26	25		23	22	21	20
SALEABLE	NOT APPLICABLE	34566-7383	0	C	BLUE		71	70			67	66	65	64			61	60			57			54			
						52	51	50	49	48	47		45	44			41					37			34	33	
						73									32			28	27		25						17
SALEABLE	NOT APPLICABLE	34566-7393	0	B	ST GRAY	72										62	61							55			
						52				48	47	46		44	43			40									
						73																			20	19	18
SALEABLE	NOT APPLICABLE	34566-7413	0	A	BLACK	72	71	70	69	68		66	65	64	63		61	60			57	56		54	53		
							51	50	49	48		46	45	44	43	42		40	39	38	37	36			34	33	
						73									32	31	30	29	28		26	25		23	22	21	20

MX123 52/66/73/80-WAY RECEPTACLE ASSY SEALED PIN OUT SHEET

STATUS	GM PART #	HRNS CONN ASSY			TPA	GROMMET CAP																					
		MATERIAL/PART	WIRE DRESS OPTION	KEY OPTION Fp	COLOR OPTION Fp	NUMBERS INDICATE CAVITIES OPEN FOR CIRCUITS																					
		NUMBER				Fp																					
SALEABLE	NOT APPLICABLE	34566-7423	0	C	BLUE	70	69	67	64	61	60	57	54	52	51	50	49	48	47	46	45	44	41	40	37	34	33
						73																					
						32	28	27	25	23	22	21	20	18	17	16	15	14	13	12	11	10	9	8	7		
SALEABLE	NOT APPLICABLE	34566-7433	0	B	ST GRY	72				68					62	61	60	59							55		
						73																					
						52				48	47	46		44	43		41	40		38	37	36	35				
SALEABLE	NOT APPLICABLE	34566-7443	0	A	BLACK	72	71	70	69	68		66	65	64	63		60			57	56					54	
						73																					
						52	51	50	49	48		46	45	44	43	42		40	39	38	37	36					
SALEABLE	NOT APPLICABLE	34566-7453	0	C	BLUE	72	71	70		67	66	65	64		61	60		58	57							54	
						73																					
						52	51	50	49	48	47		45	44		41			38	37							
SALEABLE	NOT APPLICABLE	34566-7463	0	B	ST GRY	72				68					62	61										55	
						73																					
						52				48	47	46		43			40					22	21	20	19	18	
SALEABLE	NOT APPLICABLE	34566-7473	0	B	ST GRY	72				68	67				63	62	61									55	
						73																					
						52				48	47	46		43			40					22	21	20	19	18	
SALEABLE	NOT APPLICABLE	34566-7483	0	B	ST GRY	72				68					62	61										55	
						73																					
						52				48	47	46		43			40					22	21	20	19	18	17
SALEABLE	NOT APPLICABLE	34566-7493	0	C	BLUE	72			69	67		64		62		60		57		55	54						
						73																					
						52	51	50		48	47	46	45	44		42						37		35	34	33	
SALEABLE	NOT APPLICABLE	34566-7513	9	A	BLACK	72	71	70	69	68		66	65	64	63		61	60		57	56					54	
						73																					
						52	51	50	49	48		46	45	44	43		40	39	38	37	36						
SALEABLE	NOT APPLICABLE	34566-7523	0	A	BLACK	72								64		62	61		59	58	57	56	55	54			
						73																					
						52	51			48	47	46	45		43		41	40				37					
SALEABLE	NOT APPLICABLE	34566-7533	0	G	BLUE	80	79	78							71	70		67									
						73																					
						60	59	58	57			54			51	50	49	48	47		45	44					42
SALEABLE	NOT APPLICABLE	34566-7543 SAME AS P/N 34566-1553	0	A	BLACK	40	39		37	36		34	33	32		30	29	28	27		25	24	23	22	21		
						73																					
						20	19	18				13	12	11		9	8			5		3	2	1			
SALEABLE	NOT APPLICABLE	34566-7553 SAME AS P/N 34566-1983	0	B	ST GRY	72																					
						73																					
						52				48	47	46		43			40										
SALEABLE	NOT APPLICABLE	34566-7563 SAME AS P/N 34566-1993	0	C	BLUE	72																					
						73																					
						52				48	47	46		43			40					22	21	20	19	18	17
SALEABLE	NOT APPLICABLE	34566-7573	0	B	ST GRY	72		70		68					62	61										55	
						73																					
						52				48	47	46		43			40					22	21	20	19	18	17

MX123 52/66/73/80-WAY RECEPTACLE ASSY SEALED PIN OUT SHEET

STATUS	GM PART #	HRNS CONN ASSY			TPA	GROMMET CAP																				
		MATERIAL/PART	WIRE DRESS OPTION	KEY OPTION Fp	COLOR OPTION Fp	NUMBERS INDICATE CAVITIES OPEN FOR CIRCUITS																				
		NUMBER				Fp																				
SALEABLE	NOT APPLICABLE	34566-7683	9	B	ST GRY	72	71	70	69	68	67	66	65	64	63	62	61	60	59		57	56	55			
						52	51	50	49	48	47	46	45	44	43		26	25	24	23	22	21	20	19	18	17
						73				32	31	30	29	28		11		9	8	7	6	5	4	3	2	1
SALEABLE	NOT APPLICABLE	34566-7693	9	A	BLACK	72							64		62	61			57	56	55	54				
						52	51					46	45		43		40			37		35	34			
						73				32	31	30	29		27		25				20					
SALEABLE	NOT APPLICABLE	34566-7713	9	A	BLACK	72							64		62	61			58	57	56	55	54			
						52	51			48		46	45		43		41	40		37		35	34			
						73				32		30	29		27		25			20						
SALEABLE	NOT APPLICABLE	34566-7723	9	A	BLACK	72							64		62	61			57	56	55	54	53			
						52	51			48		46	45		43		41	40		37		35	34			
						73				32		30	29		27		25			20						
SALEABLE	NOT APPLICABLE	34566-7733	9	A	BLACK	72							64		62	61			57	56	55	54	53			
						52	51			48		46	45		43		41	40		37		35	34			
						73				32		30	29		27		25			20						
SALEABLE	NOT APPLICABLE	34566-7743	0	C	BLUE	72		70		68	67	66		64	63	62	61	60	59	57				53		
						52	51		49	48	47	46		44		41	40	39		37	36	35	34	33		
						73				32		30			27	26	25	24		22	21	20				
SALEABLE	NOT APPLICABLE	34566-7753	0	A	BLACK		71	70	69	68	67			64	63	62	61	60	59	58	57	56	55	54	53	
						52	51	50	49			45	44	43	42	41		39	38	37	36		34			
						73				32	31		29	28	27	26	25			19	18					
SALEABLE	NOT APPLICABLE	34566-7763	0	F	NATURAL																					
						73																				
SALEABLE	NOT APPLICABLE	34566-7773	0	B	ST GRY	72		70			67				63	62	61	60	59							
						52					46			43		41	40									
						73				16		14			11				6	5	4					
SALEABLE	TBD	34822-0153	9	A	BLACK		63	62	61	60	59				54	53		51		49	66					
							47							38	37		35		33		22	21	20	19	18	17
						65					15	14	13			25		8	7			3	2	1		
SALEABLE	NOT APPLICABLE	34566-7783	0	A	BLACK	72	71	70	69	68		66	65	64	63		60	59		57	56		54			
						52	51	50	49	48		46	45	44	43	42	41	40	39	38	37	36		34		
						73				32	31	30	29	28		26	25		23	22	21				2	1
SALEABLE	NOT APPLICABLE	34566-7793	0	A	BLACK	72		70			67	66	65		63		60	59	58	57	56	55				
						52	51		49	48	47	46	45		43	42		40	39	38	37	36	35			
						73								28	27			23	22	21				18	17	
SALEABLE	NOT APPLICABLE	34566-7813	0	A	BLACK			70	69	68	67				63	62	61	60	59	58	57	56	55	54	53	
						52	51	50	49					44	43	42	41	40	39	38	37	36		34		
						73				32			29	28	27	26	25			21		19	18			
SALEABLE	NOT APPLICABLE	34566-7823	0	B	ST GRY					68	67				63	62	61	60	59							
						52				48	47	46		44	43		41	40		38	37	36	35			
						73				16		14			11			8			4					1
SALEABLE	NOT APPLICABLE	34566-7833	0	B	ST GRY	72	71	70	69	68	67	66	65	64	63		61	60	59		57	56	55			
						52	51	50	49	48	47	46	45	44	43		41	40	39	38	37	36	35	34	33	
						73				32	31	30	29	28		26	25	24	23	22	21	20	19	18	17	

MX123 52/66/73/80-WAY RECEPTACLE ASSY SEALED PIN OUT SHEET

STATUS	GM PART #	HRNS CONN ASSY			TPA	GROMMET CAP																			
		MATERIAL/PART	WIRE DRESS OPTION	KEY OPTION Fp	COLOR OPTION Fp	NUMBERS INDICATE CAVITIES OPEN FOR CIRCUITS																			
		NUMBER				Fp																			
SALEABLE	NOT APPLICABLE	34566-7843	9	C	BLUE	52	71	50	49	48	67	47	65	64	45	44	62	61	60	58	57	54	33		
						73				16	15	14	13	12	11	10	9	39	38	37	34	33			
						72	71	70	69	68	67	66	65	64	63	62	61	60	59	58	57	56	55	54	53
SALEABLE	NOT APPLICABLE	34566-7853	9	C	BLUE	52	51	50	49	48	47	46	45	44	43	42	41	40	39	38	37	36	35		
						73				16	15	14	13	12	11	10	9	8	7	6	5	4	3	2	1
						72	71	70	69	68	67	66	65	64	63	62	61	60	59	58	57	56	55	54	53
SALEABLE	NOT APPLICABLE	34566-7863	9	C	BLUE	52	51	50	49	48	47	46	45	44	43	42	41	40	39	38	37	36	35		
						73				16	15	14	13	12	11	10	9	8	7	6	5	4	3	2	1
						72	71	70	69	68	67	66	65	64	63	62	61	60	59	58	57	56	55	54	53
SALEABLE	NOT APPLICABLE	34566-7873	9	A	BLACK	52	51	50	49	48	47	46	45	44	43	42	41	40	39	38	37	36	35		
						73				16	15	14	13	12	11	10	9	8	7	6	5	4	3	2	1
						72	71	70	69	68	67	66	65	64	63	62	61	60	59	58	57	56	55	54	53
SALEABLE	NOT APPLICABLE	34566-7883	9	A	BLACK	52	51	50	49	48	47	46	45	44	43	42	41	40	39	38	37	36	35		
						73				16	15	14	13	12	11	10	9	8	7	6	5	4	3	2	1
						72	71	70	69	68	67	66	65	64	63	62	61	60	59	58	57	56	55	54	53
SALEABLE	NOT APPLICABLE	34566-7893	9	A	BLACK	52	51	50	49	48	47	46	45	44	43	42	41	40	39	38	37	36	35		
						73				16	15	14	13	12	11	10	9	8	7	6	5	4	3	2	1
						72	71	70	69	68	67	66	65	64	63	62	61	60	59	58	57	56	55	54	53
SALEABLE	TBD	34822-0163	0	A	BLACK	52	51	50	49	48	47	46	45	44	43	42	41	40	39	38	37	36	35		
						73				16	15	14	13	12	11	10	9	8	7	6	5	4	3	2	1
						72	71	70	69	68	67	66	65	64	63	62	61	60	59	58	57	56	55	54	53
SALEABLE	NOT APPLICABLE	34566-7913	9	G	BLUE	52	51	50	49	48	47	46	45	44	43	42	41	40	39	38	37	36	35		
						73				16	15	14	13	12	11	10	9	8	7	6	5	4	3	2	1
						72	71	70	69	68	67	66	65	64	63	62	61	60	59	58	57	56	55	54	53
SALEABLE	NOT APPLICABLE	34566-7923	0	C	BLUE	52	51	50	49	48	47	46	45	44	43	42	41	40	39	38	37	36	35		
						73				16	15	14	13	12	11	10	9	8	7	6	5	4	3	2	1
						72	71	70	69	68	67	66	65	64	63	62	61	60	59	58	57	56	55	54	53
SALEABLE	NOT APPLICABLE	34566-7933	0	A	BLACK	52	51	50	49	48	47	46	45	44	43	42	41	40	39	38	37	36	35		
						73				16	15	14	13	12	11	10	9	8	7	6	5	4	3	2	1
						72	71	70	69	68	67	66	65	64	63	62	61	60	59	58	57	56	55	54	53
SALEABLE	NOT APPLICABLE	34566-7943	0	B	ST GRAY	52	51	50	49	48	47	46	45	44	43	42	41	40	39	38	37	36	35		
						73				16	15	14	13	12	11	10	9	8	7	6	5	4	3	2	1
						72	71	70	69	68	67	66	65	64	63	62	61	60	59	58	57	56	55	54	53
SALEABLE	NOT APPLICABLE	34566-7953	0	B	ST GRAY	52	51	50	49	48	47	46	45	44	43	42	41	40	39	38	37	36	35		
						73				16	15	14	13	12	11	10	9	8	7	6	5	4	3	2	1
						72	71	70	69	68	67	66	65	64	63	62	61	60	59	58	57	56	55	54	53
SALEABLE	NOT APPLICABLE	34566-7963	9	A	BLACK	52	51	50	49	48	47	46	45	44	43	42	41	40	39	38	37	36	35		
						73				16	15	14	13	12	11	10	9	8	7	6	5	4	3	2	1
						72	71	70	69	68	67	66	65	64	63	62	61	60	59	58	57	56	55	54	53
SALEABLE	NOT APPLICABLE	34566-7973	9	B	ST GRAY	52	51	50	49	48	47	46	45	44	43	42	41	40	39	38	37	36	35		
						73				16	15	14	13	12	11	10	9	8	7	6	5	4	3	2	1
						72	71	70	69	68	67	66	65	64	63	62	61	60	59	58	57	56	55	54	53
SALEABLE	NOT APPLICABLE	34566-7983	9	B	ST GRAY	52	51	50	49	48	47	46	45	44	43	42	41	40	39	38	37	36	35		
						73				16	15	14	13	12	11	10	9	8	7	6	5	4	3	2	1
						72	71	70	69	68	67	66	65	64	63	62	61	60	59	58	57	56	55	54	53

MX123 52/66/73/80-WAY RECEPTACLE ASSY SEALED PIN OUT SHEET

STATUS	GM PART #	HRNS CONN ASSY			TPA	GROMMET CAP																			
		MATERIAL/PART	WIRE DRESS OPTION	KEY OPTION	COLOR OPTION	NUMBERS INDICATE CAVITIES OPEN FOR CIRCUITS																			
		NUMBER		Fp	Fp	Fp																			
SALEABLE	NOT APPLICABLE	34566-7993	9	C	BLUE	52	51	70	69	48	47	66	65	64	63	61	60	57	54	34	33				
										32				28	27	25				18	17				
						73				16	15	14	13	12	11	10	9	8	7						
SALEABLE	NOT APPLICABLE	34566-8013	9	C	BLUE	52	51	71	50	48	47	65	64	63	61	60	59	57	54	34	33				
										32				28	27	25				18	17				
						73				16	15	14	13	12	11	10	9	8	7						
SALEABLE	TBD	34822-0173	9	A	BLACK	64				48		46	45	44	43	42	41	40	36	34	66				
										32	31	30	29		27	26		24	23						
						65				16				12	11	10	9		6	5	4				
SALEABLE	NOT APPLICABLE	34566-8023	9	C	BLUE	72			69	68					63	62		59		56	55	53			
												46			43	42		40	39		36	35			
						73					31	30	29			26		24	23	22	21	20			
																	8	7	6	5	4	3			
																						2			
																						1			
SALEABLE	NOT APPLICABLE	34566-8033	9	B	ST GRY		71	70	69			67	66	65	64	63			58	57	56	54			
							51	50	49					45			42					34			
						73				32	31		29	28	27	26	25	24	23			2			
														13	12	11	10	9	7	5		3			
																						2			
SALEABLE	NOT APPLICABLE	34566-8043	9	A	BLACK						67					62	61		59	58		55			
											47					42						35			
						73									27	26	25	24			20	19			
															11	10	9	8			4	3			
																						1			
SALEABLE	NOT APPLICABLE	34566-8053	9	A	BLACK	72				68	67	66						59							
												46					40		38		35	33			
						73					31					25		23	22	21	20	19			
																9	8	7	6	5	4	2			
																						1			
SALEABLE	NOT APPLICABLE	34566-8063	9	C	BLUE		71		69					65	64		61	60		58	55	54			
								50						45		43	42			38		35			
						73					31		29	28					23			19			
										16				12	11				7			3			
																						1			
SALEABLE	NOT APPLICABLE	34566-8073	9	B	ST GRY				69					65	64	63									
									49					45	44	43									
						73													23	22	21	20			
																						19			
SALEABLE	NOT APPLICABLE	34566-8083	9	B	ST GRY											62		59	58			54			
																42		39				53			
						73										27									
																10	9								
SALEABLE	NOT APPLICABLE	34566-8093	9	A	BLACK		71		69	68		66	65	64		62	61					54			
								50	49				45	44			41					34			
						73				32	31	30	29			26	25	24	23			20			
										16	15	14	13			10		8		6		4			
																						3			
SALEABLE	NOT APPLICABLE	34566-8113	9	C	BLUE					68					63	62	61	60	59	58	57	55			
										48					43	42	41	40		37	36	35			
						73				32					27		24				20	19			
															11	10		8			5	4			
																						3			
																						2			
																						1			
SALEABLE	NOT APPLICABLE	34566-8123	0	G	BLUE	80	79						73	72		70	69	68	67	66	65	64			
														53	52					46		44			
										36	35	34								25	24	23			
																						22			
										19												21			
SALEABLE	NOT APPLICABLE	34566-8133	0	G	BLUE	80	79	78	77		75			72	71	70	69	68		66					
						60	59	58	57	56	55		53		51	50	49	48	47	46	45	44			
						40	39		37	36	35	34		32	31	30	29	28		26		24			
																						23			
																						22			
																						21			
SALEABLE	NOT APPLICABLE	34566-8143	0	G	BLUE	80	79	78	77	76	75	74	73	72		70	69	68	67	66	65	64			
						60	59	58	57	56	55	54	53	52	51	50		48	47	46	45	44			
						40	39	38	37	36	35	34	33	32	31	30	29	28	27	26	25	24			
																						23			
																						22			
																						21			

MX123 52/66/73/80-WAY RECEPTACLE ASSY SEALED PIN OUT SHEET

STATUS	GM PART #	HRNS CONN ASSY			TPA	GROMMET CAP																					
		MATERIAL/PART	WIRE DRESS OPTION	KEY OPTION Fp	COLOR OPTION Fp	NUMBERS INDICATE CAVITIES OPEN FOR CIRCUITS																					
		NUMBER				Fp																					
SALEABLE	NOT APPLICABLE	34566-8153	0	C	BLUE	72	71	70	69	68	67	66	65	64	63	62	61	60	59	58	57	56	55	34	33		
						52	51	50					28	27												35	18
						73				16		14	13													3	
SALEABLE	NOT APPLICABLE	34566-8163	9	B	ST GRAY					68	67			64	63			59	58			55	54				
											47	46	45	44	43			39	38					35			
						73				32	31	30	29	28	27			23	22					19		17	
SALEABLE	NOT APPLICABLE	34566-8173	0	B	ST GRAY	72		70		68	67				63	62	61	60	59								
						52						46			43		41	40									
						73									27					22	21	20	19	18			
SALEABLE	NOT APPLICABLE	34566-8183	9	H	ST GRAY																						
SALEABLE	NOT APPLICABLE	34566-8193	0	G	BLUE		79	78	77	76	75	74			71				67		65		63				
						60	59	58	57	56	55	54		52					47		45		43				
						40		38	37				33	32	31	30	29		27	26							
SALEABLE	NOT APPLICABLE	34566-8213	0	H	ST GRAY	20		18	17				74	73					67		65	64	63	62	61		
														53	52								44	43	42	41	
								38						33					27		25						
SALEABLE	NOT APPLICABLE	34566-8223	9	A	BLACK	72										62	61		59		57		55				
						52	51											40				37					
						73				32			29					25					20				
SALEABLE	NOT APPLICABLE	34566-8233	9	G	BLUE				77	76	75	74	73	72		70	69	68		66	65	64	63	62	61		
										56	55		53	52					46	45		43	42				
								38	37	36	35	34			31				26			23	22	21			
SALEABLE	NOT APPLICABLE	34566-8243	9	G	BLUE	20	19		17	16	15	14	13		10			7	6		4			1			
									77	76	75	74	73	72		70	69	68		66	65	64	63	62	61		
										56	55		53	52					46	45		43	42				
SALEABLE	NOT APPLICABLE	34566-8253	9	G	BLUE				77	76	75	74	73	72		70	69	68		66	65	64	63	62	61		
										56	55		53	52					46	45		43	42				
								38	37	36	35	34			31				26			23	22	21			
SALEABLE	NOT APPLICABLE	34566-8263	9	G	BLUE	20	19		17	16	15	14	13		10			7	6		4			1			
									77	76	75	74	73	72		70	69	68		66	65	64	63	62	61		
										56	55		53	52					46	45		43	42				
SALEABLE	NOT APPLICABLE	34566-8273	9	G	BLUE				77	76	75	74	73	72		70	69	68		66	65	64	63	62	61		
										56	55		53	52					46	45		43	42				
								38	37	36	35	34			31				26			23	22	21			
SALEABLE	NOT APPLICABLE	34566-8283	9	G	BLUE	80	79	78							71				67								
						60	59	58	57			54			51	50	49	48	47				44			41	
						40	39						33	32		30	29	28	27			25	24				
SALEABLE	NOT APPLICABLE	34566-8283	9	G	BLUE			18						12	11		9	8			5		3	2			
									77	76	75	74	73	72		70	69	68		66	65	64	63	62	61		
										56	55		53	52					46	45		43	42				
SALEABLE	NOT APPLICABLE	34566-8293	9	A	BLACK				71	70	69	68	67	66	65		63		60	59	58		36	35	34	33	
								50	49	48	47			44		42			39	38					19	18	17
						73							31			28		26		24	23	22	21		3	2	1
SALEABLE	NOT APPLICABLE	34566-8313	9	A	BLACK		71	70	69		67	66	65		63		60	59	58								
								50	49	48	47			44		42	41		39	38			36	35	34	33	
						73							31			28		26		24	23	22	21		19	18	17

MX123 52/66/73/80-WAY RECEPTACLE ASSY SEALED PIN OUT SHEET

STATUS	GM PART #	HRNS CONN ASSY			TPA	GROMMET CAP																							
		MATERIAL/PART	WIRE DRESS OPTION	KEY OPTION Fp	COLOR OPTION Fp	NUMBERS INDICATE CAVITIES OPEN FOR CIRCUITS																							
		NUMBER				Fp																							
SALEABLE	NOT APPLICABLE	34566-8323	9	A	BLACK	71	70	69	68	67	66	65		63		60							53						
								50	49		47			44		42			39	38			36			33			
						73						31			28		26		24	23	22	21		19	18	17			
SALEABLE	NOT APPLICABLE	34566-8333	9	A	BLACK	71	70	69	68	67	66	65		63		60							53						
								50	49	48	47			44		42	41		39	38			36			33			
						73						31			28		26		24	23	22	21		19	18	17			
SALEABLE	NOT APPLICABLE	34566-8343	9	A	BLACK	71	70	69	68	67	66	65		63		60							53						
								50	49		47			44		42			39	38			36	35	34	33			
						73						31			28		26		24	23	22	21		19	18	17			
SALEABLE	NOT APPLICABLE	34566-8353	9	A	BLACK	72								64		62	61					57	56	55	54	53			
						52	51						46	45		43		41	40				37						
						73						32		30	29		27		25					20					
SALEABLE	NOT APPLICABLE	34566-8363	9	A	BLACK	72								64		62	61					57	56	55	54	53			
						52	51						46	45		43		41	40				37						
						73						32		30	29		27		25					20					
SALEABLE	NOT APPLICABLE	34566-8373	9	A	BLACK	72								64		62	61					57	56	55	54	53			
						52	51						46	45		43		41	40				37						
						73						32		30	29		27		25					20					
SALEABLE	NOT APPLICABLE	34566-8383	9	A	BLACK	72								64		62	61					57	56	55	54	53			
						52	51						46	45		43		41	40				37						
						73						32		30	29		27		25					20					
SALEABLE	NOT APPLICABLE	34566-8393	0	A	BLACK	72		70						64		62	61					57	56	55	54	53			
						52	51		49	48					43								36	35	34	33			
						73						31	30	29	28	27			24	23	22	21	20	19	18	17			
SALEABLE	NOT APPLICABLE	34566-8413	0	A	BLACK	72		70						64		62	61					57	56	55	54	53			
						52	51		49	48					43								36	35	34	33			
						73						31	30	29	28	27			24	23	22	21	20	19	18	17			
SALEABLE	NOT APPLICABLE	34566-8423	0	C	BLUE				69					64		62	61	60				57			54				
						52	51	50	49	48		46	45	44		42	41					37				34	33		
						73						16	15	14	13	12	11	10	9	8	7								
SALEABLE	NOT APPLICABLE	34566-8433	0	H	ST GRAY		79	78	77																61				
						20													9					5				1	
SALEABLE	NOT APPLICABLE	34566-8443	0	C	BLUE		71	70									61	60	59	58	57				54				
						52	51	50		48	47		45	44			41		39	38	37					34	33		
						73						32			28	27		25		23							18	17	
SALEABLE	NOT APPLICABLE	34566-8453	0	A	BLACK	72	71	70	69	68		66	65	64	63		60					57	56			54			
						52	51	50	49	48		46	45	44	43	42		40	39	38	37	36					34		
						73						32	31	30	29	28					23	22	21	20					
SALEABLE	NOT APPLICABLE	34566-8463	0	B	ST GRAY	72		70								62	61	60	59				55						
						52				48	47	46		44	43			41	40				38	37	36	35			
						73						16	15	14						8		6		4				1	
SALEABLE	NOT APPLICABLE	34566-8473	0	C	BLUE		71	70								62	61	60				58	57			54			
						52	51	50	49	48	47		45	44			42	41					38	37			35	34	33
						73						32			28	27	26	25									19	18	17

MX123 52/66/73/80-WAY RECEPTACLE ASSY SEALED PIN OUT SHEET

STATUS	GM PART #	HRNS CONN ASSY			TPA	GROMMET CAP																					
		MATERIAL/PART	WIRE DRESS OPTION	KEY OPTION Fp	COLOR OPTION Fp	NUMBERS INDICATE CAVITIES OPEN FOR CIRCUITS																					
		NUMBER				Fp																					
SALEABLE	NOT APPLICABLE	34566-8483	0	A	BLACK	72	71	70	69	68		66	65	64	63		61	60			57	56		54	53		
						52	51	50	49	48		46	45	44	43	42			40	39	38	37	36		34	33	
						73				32	31	30	29	28						23	22	21	20				2
SALEABLE	NOT APPLICABLE	34566-8493	0	B	ST GRAY	72		70		68	67					62	61	60	59				55				
						52				48	47	46		44	43			40									33
						73						30								22	21	20	19	18	17		
SALEABLE	NOT APPLICABLE	34566-8513	9	A	BLACK	72	71	70	69	68		66	65	64	63		61	60			57	56		54	53		
						52	51	50	49	48		46	45	44	43			40	39	38	37	36		34	33		
						73				32	31	30	29	28					24	23	22						
SALEABLE	NOT APPLICABLE	34566-8523	9	B	ST GRAY	72		70		68						62	61						55				
						52				48	47	46			43			40									
						73						30								22	21	20	19	18	17		
SALEABLE	NOT APPLICABLE	34566-8533	9	C	BLUE			70		67	66	65	64			61	60			57			54				
						52	51	50	49	48	47		45	44			41				37				34	33	
						73				32				28	27			25									18
SALEABLE	NOT APPLICABLE	34566-8543	9	C	BLUE		71		69		67	66	65	64			60			57			54				
						52	51	50	49	48	47	46	45	44							37				34	33	
						73				32				28	27												
SALEABLE	NOT APPLICABLE	34566-8553	0	B	ST GRAY					67	66	65	64			61	60			57			54				
						52	51	50	49	48	47		45	44			41				37				34	33	
						73				32				28	27			25									18
SALEABLE	NOT APPLICABLE	34566-8563	0	A	BLACK			70		67						60	59	58	57	56	55						
						52	51			48	47	46			43	42		40	39	38	37	36	35				
						73								28						22	21					18	17
SALEABLE	NOT APPLICABLE	34566-8573	0	B	ST GRAY	72	71	70	69	68	67	66	65	64	63		61	60	59		57	56	55				
						52	51	50	49	48	47	46	45	44	43		41	40	39	38	37	36	35			33	
						73				32	31	30	29	28				26		24	23	22	21	20	19		
SALEABLE	NOT APPLICABLE	34566-8583	0	C	BLUE	72	71	70	69		67	66	65	64			60				56			54			
						52	51	50	49		47	46	45	44			40	39	38						34		
						73					31	30		28		26	25	24	23	22	21						17
SALEABLE	NOT APPLICABLE	34566-8593	0	B	ST GRAY	72				68						62	61	60	59				55				
						52				48	47	46			43		41	40			38	37	36	35			
						73						30								22	21	20	19	18			1
SALEABLE	TBD	34822-0183	0	A	BLACK	64	63	62	61	60	59					54	53		51		49	66					
																38	37		35		33	66					
						65					15	14	13						8	7			4	3	2	1	
SALEABLE	TBD	34822-0193	0	A	BLACK	64	63								54	53		51		49	66						
															38	37		35		33	66						
						65							28					24	23		21	20	19	18	17		
SALEABLE	TBD	34822-0203	0	A	BLACK					60	59					54	53		51		49	66					
															38	37		35		33	66						
						65					31			28				24	23	22	21	20	19	18	17		
SALEABLE	TBD	34822-0213	0	A	BLACK	64	63	62	61	60	59					54	53		51		49	66					
															38	37		35		33	66						
						65					31			28				24	23	22	21	20	19	18	17		

MX123 52/66/73/80-WAY RECEPTACLE ASSY SEALED PIN OUT SHEET

STATUS	GM PART #	HRNS CONN ASSY			TPA	GROMMET CAP																					
		MATERIAL/PART	WIRE DRESS OPTION	KEY OPTION Fp	COLOR OPTION Fp	NUMBERS INDICATE CAVITIES OPEN FOR CIRCUITS																					
		NUMBER				Fp																					
SALEABLE	NOT APPLICABLE	34566-8613	0	C	BLUE	52	71	70			67	66	65	64			61	60	59	58	57			54			
										48	47			45	44			41	40	39	38	37				34	33
						73				32				28	27			25		23							18
SALEABLE	NOT APPLICABLE	34566-8623	9	C	BLUE					68			65		63	62	61		59	58	57	56	55		53		
										48			45		43	42	41					37	36	35	34	33	
						73				32	31													20	19	18	
SALEABLE	NOT APPLICABLE	34566-8633	0	B	ST GRAY	72										62	61										
						52				48	47	46			43			40									
						73							30									22	21	20	19	18	17
SALEABLE	NOT APPLICABLE	34566-8643	0	C	BLUE		71	70			67	66		64			61	60			57			54			
						52	51	50	49	48			45	44			41			37						34	33
						73				32				28	27			25									18
SALEABLE	NOT APPLICABLE	34566-8653	9	C	BLUE		71		69		67	66	65	64	63		61	60			57						
						52	51	50		48	47	46	45		43		41			37						34	33
						73								28	27			25									
SALEABLE	NOT APPLICABLE	34566-8663	0	B	ST GRAY	72	71	70	69					64	63		61	60			58	57	56	55			
						52	51	50	49					43								38	37	36			33
						73				32			30	29	28		26	25	24	23	22	21	20				
SALEABLE	NOT APPLICABLE	34822-0223	0	A	BLACK	64	63	62	61	60	59					54	53		51		49	66					
														38	37		35		33								
						65					31			28				24	23	22	21	20	19	18	17		
SALEABLE	NOT APPLICABLE	34566-8673	0	F	NATURAL	72		70		68	67	66			63	62			59		57				53		
						52	51		49	48	47	46		44			41	40	39		37	36	35	34	33		
						73						30			27	26	25	24		22	21	20					
SALEABLE	NOT APPLICABLE	34566-8683	0	B	ST GRAY	72		70		68	67	66			63	62			59		57				53		
						52	51		49	48	47	46		44			41	40	39		37	36	35	34	33		
						73				32		30			27	26	25	24		22	21	20					
SALEABLE	NOT APPLICABLE	34566-8693	0	A	BLACK					68	67	66			63	62			59		57			53			
						52	51		49	48	47	46		44			41	40	39		37	36	35	34	33		
						73				32		30			27	26	25	24		22	21	20					
SALEABLE	NOT APPLICABLE	34566-8713	9	B	ST GRAY									64	63			61	60			58	57	56	55		
						52	51	50	49					43								38	37	36			33
						73				32		30	29	28		26	25	24	23	22	21	20					
SALEABLE	NOT APPLICABLE	34566-8723	0	C	BLUE		71	70				66		64			61	60			57			54			
						52	51	50	49	48			45	44			41			37						34	33
						73				32				28	27			25									18
SALEABLE	NOT APPLICABLE	34566-8733	0	A	BLACK		71	70	69	68		66	65	64	63			60			57	56			54		
						52	51	50	49	48		46	45	44	43	42		40	39	38	37	36				34	
						73				32	31	30	29	28					23	22	21	20					
SALEABLE	NOT APPLICABLE	34566-8743	0	C	BLUE						67	66		64										54			
						52	51	50	49		47	46		44					39	38							
						73						30	29	28	27	26	25	24	23	22	21						
SALEABLE	NOT APPLICABLE	34566-8753	0	B	ST GRAY	72	71	70	69	68	67	66	65	64	63		61	60			58	57	56	55	54	53	
						52	51	50	49	48	47	46	45	44	43			40			37	36	35	34	33		
						73				32		30	29	28		26	25	24			21		19				

MX123 52/66/73/80-WAY RECEPTACLE ASSY SEALED PIN OUT SHEET

STATUS	GM PART #	HRNS CONN ASSY			TPA	GROMMET CAP																					
		MATERIAL/PART	WIRE DRESS OPTION	KEY OPTION Fp	COLOR OPTION Fp	NUMBERS INDICATE CAVITIES OPEN FOR CIRCUITS																					
		NUMBER				Fp																					
SALEABLE	NOT APPLICABLE	34566-8763	0	A	BLACK	72	71	70				67	66						59	58	57	56	55	54	53		
						52	51	50				47	46								39		37	36	35		33
						73				32	31	30	29	28	27	26						21					18
SALEABLE	12672857	34822-0243	9	A	BLACK	64	63	62	61	60	59						54	53		51		49	66				
							47									38	37		35		33						
						65								28				25	24		22	21	20	19	18	17	
SALEABLE	NOT APPLICABLE	34822-0253	0	A	BLACK		63	62	61	60	59					54	53		51		49	66					
															38	37		35		33							
						65								28				24	23	22	21	20	19	18	17		
SALEABLE	NOT APPLICABLE	34822-0263	9	C	BLUE	64	63	62		60	59					54	53		51		49	66					
						48	47	46	45						39		37	36	35	34	33						
						65				32	30	29	28	27	26	25	24	23	22	21			19	18	17		
SALEABLE	NOT APPLICABLE	34822-0273	9	A	BLACK	64	63									54	53		51		49	66					
							47								38	37		35		33							
						65								28						22		20	19	18	17		
SALEABLE	NOT APPLICABLE	34822-0283	0	A	BLACK				61	60	59				56	55				51		49	66				
												42															
						65				32																	
SALEABLE	NOT APPLICABLE	34822-0293	0	A	BLACK	64	63									54	53		51		49	66					
							47								38	37		35		33							
						65								28						22		20	19	18	17		
SALEABLE	NOT APPLICABLE	34566-8773	9	B	ST GRAY	72		70		68						62	61	60	59					55			
						52				48	47	46				43			40								
						73						30								22	21	20	19	18	17		
SALEABLE	NOT APPLICABLE	34566-8783	9	A	BLACK	72	71	70	69	68			66	65	64	63		61	60			57	56		54	53	
						52	51	50	49	48			46	45	44	43			40	39	38	37	36		34	33	
						73				32	31	30	29	28							23	22	21				
SALEABLE	NOT APPLICABLE	34566-8793	9	C	BLUE		71	70			67	66	65				61	60			57			54			
						52	51	50	49	48	47		45	44			41			37					34	33	
						73				32				28	27		25									18	17
SALEABLE	NOT APPLICABLE	34566-8813	9	B	ST GRAY	72	71	70	69	68	67			65	64	63		61	60	59		57	56	55	54	53	
						52	51	50	49	48	47	46	45	44	43	42			40	39			36	35	34	33	
						73				32	31	30	29	28	27	26	25	24	23	22	21						
SALEABLE	NOT APPLICABLE	34566-8823	9	C	BLUE	72	71	70	69		67	66		64				60							54		
						52	51	50	49		47	46		44				40	39								
						73						30	29	28	27	26	25	24	23	22	21						
SALEABLE	NOT APPLICABLE	34566-8833	9	C	BLUE	72		70		68	67	66			63	62			59		57				54	53	
						52	51		49	48	47	46		44			41	40	39		37	36	35	34	33		
						73				32		30			27	26	25	24		22	21	20					
SALEABLE	NOT APPLICABLE	34566-8843	0	C	BLUE			70	69		67	66		64											54		
						52	51	50	49		47	46		44			41		39	38							
						73						30	29	28	27	26	25	24	23	22	21						
SALEABLE	NOT APPLICABLE	34566-8853	0	B	ST GRAY	72				68	67				63	62	61	60	59					55			
						52				48	47	46		44	43		41	40		38	37	36	35				
						73						30			27					22	21	20	19	18			

MX123 52/66/73/80-WAY RECEPTACLE ASSY SEALED PIN OUT SHEET

STATUS	GM PART #	HRNS CONN ASSY			TPA	GROMMET CAP																					
		MATERIAL/PART	WIRE DRESS OPTION	KEY OPTION ▽ Fp	COLOR OPTION ▽ Fp	NUMBERS INDICATE CAVITIES OPEN FOR CIRCUITS																					
		NUMBER				▽ Fp																					
SALEABLE	NOT APPLICABLE	34566-8863	0	B	ST GR	72	71	70	69					64	63		61			58	57	56	55				
						52	51	50	49						43							38	37	36			33
						73				32		30	29	28		26	25	24	23	22	21	20					
SALEABLE	NOT APPLICABLE	34566-8873	0	B	ST GR	72	71	70	69					64	63		61			58	57	56	55				
						52	51	50	49						43							38	37	36			33
						73				32	31	30	29	28		26	25	24	23	22	21	20					
SALEABLE	NOT APPLICABLE	34566-8883	0	B	ST GR	72	71	70	69	68	67	66	65	64	63		61	60	59	58	57	56	55				
						52	51	50	49	48	47	46	45	44	43		41	40	39	38	37	36	35	34	33		
						73				32	31	30	29	28	27	26	25	24	23	22	21	20	19	18	17		
SALEABLE	NOT APPLICABLE	34566-8893	0	A	BLACK	72		70		68	67	66	65		63		60	59	58	57	56	55					
						52	51		49	48	47	46	45		43	42		40	39	38	37	36	35				
						73								28	27			23	22	21					18	17	
SALEABLE	NOT APPLICABLE	34566-8913	0	A	BLACK	72	71	70	69	68		66	65	64	63		60			57	56		54				
						52	51	50	49	48		46	45	44	43	42	41	40	39	38	37	36		34			
						73				32	31	30	29	28					23	22	21						
SALEABLE	NOT APPLICABLE	34566-8923	0	A	BLACK		71	70	69	68	67			64	63	62	61	60	59	57	56	55	54	53			
						52	51	50	49			46	45	44	43	42	41	40	39	38	37	36		34			
						73				32			29	28	27	26	25			21			18				
SALEABLE	NOT APPLICABLE	34566-8933	0	C	BLUE	72	71		69	68		66	65		63			59	58		56				53		
														43			39	38		36							
						73					31	30	29					24	23	22	21	20					
SALEABLE	NOT APPLICABLE	34566-8943	0	B	ST GR	72				68					62	61								55			
						52						46			43			40									
						73				16	15	14						8		6		4	3	2			
SALEABLE	NOT APPLICABLE	34566-8953	9	C	BLUE	72	71	70	69		67	66		64			60						54				
						52	51	50	49		47	46		44			40	39	38								
						73						30	29	28	27	26	25	24	23	22	21						17
SALEABLE	NOT APPLICABLE	34566-8963	0	B	ST GR	72				48	47	46				62	61	60	59					55			
						52				48	47	46			43		41	40		38	37	36	35				
						73				16	15	14							22	21	20	19	18	17			
SALEABLE	NOT APPLICABLE	34566-8973	0	A	BLACK	72	71	70	69	68		66	65	64	63		60			57	56		54				
						52	51	50	49	48		46	45	44	43	42		40	39	38	37	36		34			
						73				32	31	30	29	28					23	22	21						17
SALEABLE	NOT APPLICABLE	34566-8983	0	C	BLUE		71	70		68	67	66		64		61	60			57			54				
						52	51	50	49	48	47		45	44		41			37				34	33			
						73				32				28	27		25								18	17	
SALEABLE	NOT APPLICABLE	34822-0303	0	A	BLACK																	66					
						65																					
							63	62	61	60	59					54	53			49							
SALEABLE	NOT APPLICABLE	34822-0313	0	A	BLACK										38	37		35		33			66				
						65				31			28				24	23	22	21	20	19	18	17			
						16	15	14	13							8	7					4	3	2	1		
SALEABLE	NOT APPLICABLE	34566-8993	0	B	ST GR							66			62			58									
																41			38	37							
						73																	19	18	17		1

MX123 52/66/73/80-WAY RECEPTACLE ASSY SEALED PIN OUT SHEET

STATUS	GM PART #	HRNS CONN ASSY			TPA	GROMMET CAP																					
		MATERIAL/PART	WIRE DRESS OPTION	KEY OPTION Fp	COLOR OPTION Fp	NUMBERS INDICATE CAVITIES OPEN FOR CIRCUITS																					
		NUMBER				Fp																					
SALEABLE	NOT APPLICABLE	34566-9143	9	F	NATURAL	72	71	70			67	66	65	64	63	62	61	60	59			56	55	54	53		
						52	51	50	49	48	47	46	45	44									36	35	34		
						73				32	31		29	28	27	26	25	24	23	22	21	20					
SALEABLE	NOT APPLICABLE	34566-9153	9	B	ST GRAY						66								58								
															41			38	37								
						73																20	19	18	17		
SALEABLE	NOT APPLICABLE	34566-9163	9	B	ST GRAY					68	67	66	65			62		60	59				54	53			
										48	47	46	45	44		42	41	40	39				35	34			
						73					31				27									19	18	17	
SALEABLE	NOT APPLICABLE	34566-9173	0	B	ST GRAY								65			62			58								
																41			38	37							
						73																5			19	18	17
SALEABLE	NOT APPLICABLE	34822-0363	9	C	BLUE				61			58															
										44	43		41	40		38							20				
						65					31												5	4			
SALEABLE	NOT APPLICABLE	34822-0373	9	A	BLACK	64	63	62	61	60					55			52	51		49						
						48	47	46	45							38											
						65				32		30	29		27							22	21	20	19	18	17
SALEABLE	NOT APPLICABLE	34822-0383	9	A	BLACK	64	63	62	61	60			57				52	51		49							
						48	47	46	45					40													
						65				32		30	29		27							22	21	20	19	18	17
SALEABLE	NOT APPLICABLE	34822-0393	0	A	BLACK	64	63	62	61	60			57				52	51		49							
						48	47	46	45							38											
						65				32		30	29		27							22	21	20	19	18	17
SALEABLE	NOT APPLICABLE	34822-0403	9	A	BLACK	64	63								54	53		51		49							
															38	37		35		33							
						65					31			28							22		20	19	18	17	
SALEABLE	NOT APPLICABLE	34822-0413	0	A	BLACK																						
																54	53		51		49						
						65								28							22		20	19	18	17	
SALEABLE	NOT APPLICABLE	34822-0423	9	A	BLACK										54	53		50									
										44	43	42	41	40	39		37	36	35	34	33						
						65					31			28		26	25	24	23								
SALEABLE	NOT APPLICABLE	34566-9183	9	B	ST GRAY	72	71	70	69	68	67		65	64	63	62	61	60	59		57	56	55	54	53		
						52	51	50	49	48	47	46	45	44	43	42		40	39			36	35	34	33		
						73				32	31	30	29	28	27	26	25	24	23	22	21			19			
SALEABLE	NOT APPLICABLE	34566-9193	9	F	NATURAL				69	68										58	57						
																43	42										
						73						30												19	18	17	
SALEABLE	NOT APPLICABLE	34822-0433	0	A	BLACK	64	63	62		60	59		57	56	55	54	53	52	51	50	49						
						48	47	46	45				42			39		37	36	35	34	33					
						65				32		30	29	28	27	26	25	24	23	22	21	20	19	18	17		
SALEABLE	NOT APPLICABLE	34822-0443	0	A	BLACK	64	63	62		60	59		57	56	55	54	53	52	51	50	49						
						48	47	46	45				42			39		37	36	35	34	33					
						65				32	31	30	29	28	27	26	25	24	23	22	21	20	19	18	17		

MX123 52/66/73/80-WAY RECEPTACLE ASSY SEALED PIN OUT SHEET

STATUS	GM PART #	HRNS CONN ASSY			TPA	GROMMET CAP																							
		MATERIAL/PART	WIRE DRESS OPTION	KEY OPTION Fp	COLOR OPTION Fp	NUMBERS INDICATE CAVITIES OPEN FOR CIRCUITS																							
		NUMBER				Fp																							
SALEABLE	NOT APPLICABLE	34566-9323	9	A	BLACK	72								64		62	61		59	58	57	56	55	54	53				
						52	51			48		46	45		43		41	40							20				
						73				32		30	29		27		25									4	3		
SALEABLE	NOT APPLICABLE	34566-9333	9	A	BLACK	72								64		62	61		59	58	57	56	55	54	53				
						52	51			48		46	45		43		41	40							20				
						73				32		30	29		27		25									4	3		
SALEABLE	NOT APPLICABLE	34566-9343	9	C	BLUE	72		70	69	68		66				63	62				58		56	55		53			
									49			46			43	42		40				38		36	35				
						73						31	30	29			26		24				22	21	20	19		17	
SALEABLE	NOT APPLICABLE	34822-0503	0	A	BLACK	64		62	61	60	59	58				54	53		51							66			
						48	47								38	37	36		34									17	
						65						15		13				9		7					4	3	2	1	
SALEABLE	NOT APPLICABLE	34822-0513	9	A	BLACK		63	62	61		59					54	53				49					66			
															38	37		35										17	
						65						31		28				24				22	21	20	19	18	17		
SALEABLE	NOT APPLICABLE	34566-9353	9	A	BLACK	72								64		62	61			58	57	56	55	54	53				
						52	51			48		46	45		43		41	40							20				
						73				32		30	29		27		25									4			
SALEABLE	NOT APPLICABLE	34566-9363	9	A	BLACK	72								64		62	61				57	56	55	54	53				
						52	51					46	45		43			40							20				
						73				32		30	29		27		25									4			
SALEABLE	NOT APPLICABLE	34566-9373	9	G	BLUE	80														66		64							
							59		57								49												
							39										30												
SALEABLE	NOT APPLICABLE	34566-9383	9	A	BLACK	72	71	70	69	68				64	63	62	61		59	58	57	56	55	54	53				
						52	51	50		48	47	46	45	44	43		41	40	39	38	37				20	19	18	17	
						73				32		30	29		27	26	25	24								4	3	2	1
SALEABLE	NOT APPLICABLE	34566-9393	0	B	ST GRAY	72	71	70	69	68	67		65	64	63		61	60	59		57	56	55	54	53				
						52	51	50	49	48	47	46	45	44	43	42		40	39						20	19	18	17	
						73				32	31	30	29	28	27	26	25	24	23	22	21	20							
SALEABLE	NOT APPLICABLE	34566-9413	9	H	ST GRAY																								
SALEABLE	NOT APPLICABLE	34566-9423	0	A	BLACK	72	71	70			67	66								58	57	56	55	54	53				
						52	51	50			47	46									39		37	36	35		33		
						73				32	31	30	29	28	27	26											3	2	1
SALEABLE	NOT APPLICABLE	34566-9433	0	B	ST GRAY	72	71	70	69	68	67	66	65	64	63		61			58	57	56	55	54	53				
						52	51	50	49	48	47	46	45	44				40	39						20	19	18	17	
						73						30	29	28	27	26	25	24											
SALEABLE	NOT APPLICABLE	34566-9443	9	B	ST GRAY				69	68	67		65	64	63	62	61	60	59		57	56	55	54	53				
								50	49	48	47	46		44	43	42		40	39							20	19	18	17
						73				32	31	30	29	28	27	26	25	24	23	22	21								
SALEABLE	NOT APPLICABLE	34566-9453	0	A	BLACK	72	71	70	69		67			64			61	60	59		57	56	55	54	53				
						52	51			48			45	44			41	40	39	38	37	36	35	34					
						73						31	30	29		27	26	25								19	18		

MX123 52/66/73/80-WAY RECEPTACLE ASSY SEALED PIN OUT SHEET

STATUS	GM PART #	HRNS CONN ASSY			TPA	GROMMET CAP																					
		MATERIAL/PART	WIRE DRESS OPTION	KEY OPTION Fp	COLOR OPTION Fp	NUMBERS INDICATE CAVITIES OPEN FOR CIRCUITS																					
		NUMBER				Fp																					
SALEABLE	NOT APPLICABLE	34566-9633	9	B	ST GRAY	72	71	70	69	68	67		65	64	63		61	60	59		57	56	55	54	53		
						52	51	50	49	48	47	46	45	44	43	42		40	39				36	35	34	33	
						73				32	31	30	29	28	27	26	25	24	23	22	21	20				3	2
SALEABLE	NOT APPLICABLE	34566-9643	9	A	BLACK				69					64	63		61		59								
						52				48				44	43		41		39	38				35	34		
						73						30	29							10						5	
SALEABLE	NOT APPLICABLE	34566-9653	9	G	BLUE	80													66	65							
							59		57																		
							39									30											
SALEABLE	NOT APPLICABLE	34566-9663	0	B	ST GRAY	72	71	70	69	68	67	66	65	64	63		61				58	57	56	55	54	53	
						52	51	50	49	48	47	46	45	44				40					37	36	35	34	33
						73				32		30	29	28		26	25	24			21						
SALEABLE	NOT APPLICABLE	34822-0533	9	C	BLUE	64	63			60	59		57	56	55		53	52	51	50	49	66					
						48	47	46	45			42			39	38		36	35	34	33						
						65				32		30	29	28	27	26	25	24	23	22			20			18	17
SALEABLE	NOT APPLICABLE	34822-0543	0	A	BLACK	64	63	62	61	60	59					54	53		51		49	66					
							47								38	37		35			33						
						65							28			25	24		22	21		20	19	18	17		
SALEABLE	NOT APPLICABLE	34822-0553	0	A	BLACK	64	63								54	53		51		49	66						
														38	37		35		33								
						65					31		28				24	23		21		20	19	18	17		
SALEABLE	NOT APPLICABLE	34822-0563	0	C	BLUE	64	63	62		60	59		57	56	55	54	53	52	51	50	49	66					
						48	47	46	45			42			39		37	36	35	34	33						
						65				32		30	29	28	27	26		24	23	22				19	18	17	
SALEABLE	NOT APPLICABLE	34566-9673	0	C	BLUE	72	71	70	69		67	66	65	64				60			56			54			
						52	51	50	49		47	46	45	44				40	39	38					34		
						73					31	30		28		26	25	24	23	22	21	20					
SALEABLE	NOT APPLICABLE	34566-9683	0	B	ST GRAY	72	71	70	69	68	67	66	65	64	63		61	60			57	56	55	54			
						52	51	50	49	48	47	46	45	44	43		41	40			38	37	36	35			33
						73				32	31	30	29	28		26		24	23	22	21	20	19				
SALEABLE	NOT APPLICABLE	34566-9693	0	A	BLACK	72		70			67					63			60	59	58	57	56	55	53		
						52	51			48	47				43	42		40	39	38	37	36	35			33	
						73								28													18
SALEABLE	NOT APPLICABLE	34566-9713	0	B	ST GRAY					68	67	66	65	64					59	58	57		55	54	53		
							51	50	49	48		46	45		43	42		40	39	38	37			35			33
						73				32	31	30				26		24	23	22		20					
SALEABLE	NOT APPLICABLE	34566-9723	0	B	ST GRAY	72	71	70	69	68	67	66	65	64	63		61				58	57	56	55			
						52	51	50	49	48	47	46	45		43			40				37	36				
						73				32		30	29	28		26	25	24			21			19			
SALEABLE	NOT APPLICABLE	34566-9733	0	A	BLACK	72	71	70			67	66						59							53		
						52	51	50			47	46						39				37			35		33
						73						30	29	28	27	26				21							
SALEABLE	NOT APPLICABLE	34822-0573	0	A	BLACK	64	63									54	53		51		49	66					
															38	37		35		33							
						65							28				24		22		20	19	18	17			

MX123 52/66/73/80-WAY RECEPTACLE ASSY SEALED PIN OUT SHEET

STATUS	GM PART #	HRNS CONN ASSY			TPA	GROMMET CAP																				
		MATERIAL/PART	WIRE DRESS OPTION	KEY OPTION Fp		COLOR OPTION Fp	NUMBERS INDICATE CAVITIES OPEN FOR CIRCUITS																			
		NUMBER					Fp																			
SALEABLE	NOT APPLICABLE	34822-0583	0	A	BLACK	44	59	58	57	56	54	53	37	36	35	50	34	33	66							
						65				31	28	26	25	24	23	6										
						16	15	14	13	9	8															
SALEABLE	NOT APPLICABLE	34822-0593	0	A	BLACK	64	63	62	60	59	57	56	55	54	53	51	49	66								
						48	47	46	45	42	39	37	35	33												
						65				32	21	19	18	17												
SALEABLE	NOT APPLICABLE	34566-9743	0	B	ST GRAY	72	71	70	69	68	67	65	64	63	61	60	59	57	56	55	54	53				
						50	49	48	47	46	44	43	42	40	39	36	35	34	33							
						73				32	31	30	29	28	27	26	25	24	23	22	21					
SALEABLE	NOT APPLICABLE	34566-9753	0	C	BLUE	72	71	70	69	67	66	65	64	60	56	54										
						52	51	50	49	47	46	45	44	42	41	40	39									
						73				16	15	14	13	12	9	8	7	6	5	4						
SALEABLE	NOT APPLICABLE	34566-9763	0	G	BLUE	78	77	76	55	47	45															
						40	39	38	37	36	35	34	33	32	29	28	26	25	22	21						
						20	19	18	17	16	15	14	13	12	3	1										
SALEABLE	NOT APPLICABLE	34566-9773	0	A	BLACK	72	71	70	67	66	59	53	37	35	33											
						52	51	50	47	46	39	37	35	33												
						73				16	15	14	13	12	11	10	8	7	3	1						
SALEABLE	NOT APPLICABLE	34566-9783	0	B	ST GRAY	72	71	70	69	68	67	65	64	63	62	61	60	59	57	56	55	54	53			
						50	49	48	47	46	44	43	42	40	39	36	35	34	33							
						73				32	31	30	29	28	27	26	25	24	23	22	21	3	2			
SALEABLE	NOT APPLICABLE	34822-0603	0	C	BLUE	64	63	62	60	59	57	56	55	54	53	51	49	66								
						48	47	46	45	42	39	37	35	33												
						65				32	19	18	17													
SALEABLE	NOT APPLICABLE	34822-0613	0	A	BLACK	63	62	61	59	54	53	37	35	33	66											
						65				31	28	24	22	21	20	19	18	17								
						15	14	13	12	8	7	4	3	2	1											
SALEABLE	NOT APPLICABLE	34566-9793	9	B	ST GRAY	72	71	70	69	68	67	65	64	63	61	58	57	56	55	54	53					
						52	51	50	49	48	47	44	43	41	38	37	36									
						73				16	15	14	13	12	11	10	9	8	7	6	5	4				
SALEABLE	NOT APPLICABLE	34566-9813	9	A	BLACK	72	71	70	67	66	65	64	63	62	61	59	57	56	55	54	53					
						52	51	47	46	45	44	43	42	41	39	37	36	35	34	33						
						73				30	29	25	8	7	4	3	1									
SALEABLE	NOT APPLICABLE	34822-0623	0	A	BLACK	64	63	62	60	59	57	56	55	54	53	52	51	50	49	66						
						48	47	46	45	42	39	37	36	35	34	33										
						65				32	31	30	29	28	27	26	25	24	23	22	19	18	17			
SALEABLE	NOT APPLICABLE	34566-9823	0	A	BLACK	72	71	70	69	68	67	65	64	63	61	60	59	57	56	55	54	53				
						52	51	50	49	48	47	46	45	44	43	42	40	39	36	35	34	33				
						73				32	31	30	29	28	27	26	25	24	23	22	21	3	2			
SALEABLE	NOT APPLICABLE	34822-0633	0	A	BLACK	63	62	61	59	54	53	37	35	33	66											
						65				32	31	28	24	22	21	20	19	18	17							
						15	14	13	12	8	7	4	3	2	1											
SALEABLE	NOT APPLICABLE	34822-0643	9	C	BLUE	64	63	62	60	59	57	56	55	53	52	51	50	49	66							
						48	47	46	45	42	39	38	36	35	34	33										
						65				32	30	29	28	27	26	25	24	23	22	20	18	17				
				16	15	14	13	12	11	10	9	8	7	6	3	2	1									

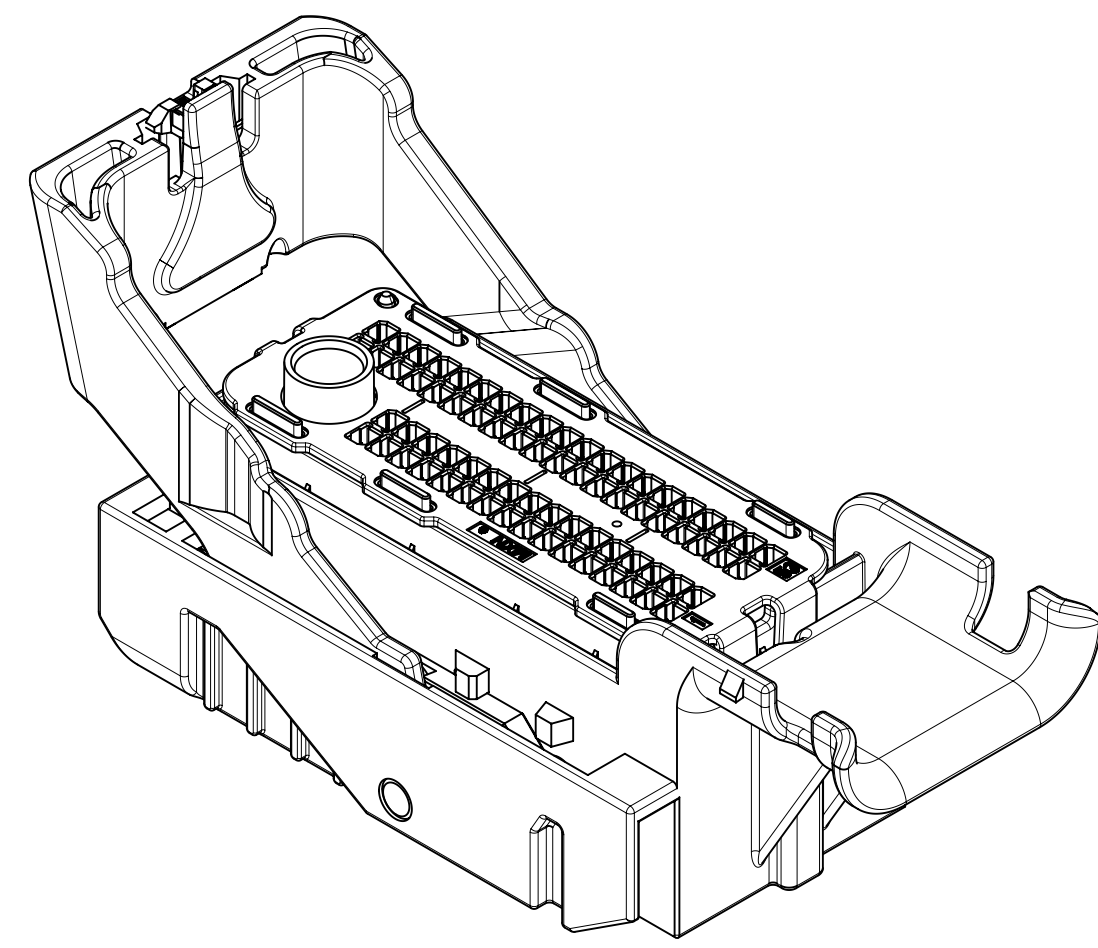
MX123 52/66/73/80-WAY RECEPTACLE ASSY SEALED PIN OUT SHEET

STATUS	GM PART #	HRNS CONN ASSY			TPA	GROMMET CAP																				
		MATERIAL/PART	WIRE DRESS OPTION	KEY OPTION Fp	COLOR OPTION Fp	NUMBERS INDICATE CAVITIES OPEN FOR CIRCUITS																				
		NUMBER				Fp																				
SALEABLE	NOT APPLICABLE	34822-0653	0	A	BLACK	64	63	62	61		59					54	53				49	66				
											31			28				24		22	21	20	19	18	17	
						65					15	14	13	12				8	7				4	3	2	1
SALEABLE	NOT APPLICABLE	34566-9833	9	B	ST GRAY	72	71	70	69	68	67			64	63		61			58	57	56	55	54	53	
						52	51	50	49	48	47			44	43		41			38	37	36				33
						73					32		30	29	28		26	25	24	23	22	21	20			
SALEABLE	NOT APPLICABLE	34566-9843	9	A	BLACK	72	71	70			67	66	65	64	63	62	61			59				55	54	53
						52	51	50			47	46	45	44	43	42	41	40	39			37	36	35	34	33
						73							30	29												18
SALEABLE	NOT APPLICABLE	34566-9853	9	B	ST GRAY	72	71	70	69	68	67		65	64	63	62	61	60	59	58	57	56	55	54	53	
						52	51	50	49	48	47	46	45	44	43	42		40	39			36	35	34	33	
						73					32	31	30	29	28	27	26	25	24	23	22	21	20			
SALEABLE	NOT APPLICABLE	34566-9863	0	B	ST GRAY	72	71	70	69	68	67		65	64	63	62	61	60	59		57	56	55	54	53	
						52	51	50	49	48	47	46	45	44	43	42		40	39			36	35	34	33	
						73					32	31	30	29	28	27	26	25	24	23	22	21				
SALEABLE	NOT APPLICABLE	34566-0004	0	A	BLACK	72	71	70	69		67			64	63		61	60	59		57	56	55	54	53	
						52	51			48			45	44	43		41	40	39	38	37	36	35	34	33	
						73					31	30	29		27	26	25		22				19	18		
SALEABLE	NOT APPLICABLE	34566-0014	0	G	BLUE	80	79	78	77		75								66	65	64		62			
							59		57										46			43	42	41		
							39	38	37		35		33	32		30				26	25	24		22	21	
SALEABLE	NOT APPLICABLE	34566-0024	0	G	BLUE	20		18	17	16	15			12				8	7	6	5		3	2	1	
SALEABLE	NOT APPLICABLE	34566-0034	0	G	BLUE	80	79	78			75							66	65	64		62				
							59		57				53						46			43	42	41		
							39	38	37		35		33	32		30				26	25	24		22	21	
SALEABLE	NOT APPLICABLE	34566-0044	0	A	BLACK	72	71	70	69		67			64			61	60	59		57	56	55	54	53	
						52	51			48			45	44			41	40	39	38	37	36	35	34	33	
						73					31	30	29		27	26	25		22				19	18		
SALEABLE	NOT APPLICABLE	34566-0054	0	G	BLUE	80	79	78	77		75							66	65	64		62				
							59		57										46			43	42	41		
							39	38	37		35		33			30				26	25	24		22	21	
SALEABLE	NOT APPLICABLE	34566-0064	0	A	BLACK	72	71	70	69		67			64	63		61	60	59		57	56	55	54	53	
						52	51			48			45	44	43		41	40	39	38	37	36	35	34		
						73					31	30	29		27	26	25		22				19	18		
SALEABLE	NOT APPLICABLE	34566-0084	0	A	BLACK			70	69		67			64			61	60	59		57	56	55	54	53	
						52	51			48			45	44			41	40	39	38	37	36	35	34	33	
						73					31	30	29		27	26	25		22				19			
SALEABLE	NOT APPLICABLE	34566-0094	0	B	ST GRAY	72	71	70	69	68	67		65	64	63	62	61	60	59		57	56	55	54	53	
						52	51	50	49	48	47	46	45	44	43	42		40	39			36	35	34	33	
						73					32	31	30	29	28	27	26	25	24	23	22	21				
SALEABLE	NOT APPLICABLE	34566-0104	0	B	ST GRAY	72	71	70	69	68	67		65	64	63	62	61	60	59		57	56	55	54	53	
								50	49	48	47	46		44	43	42		40	39			36	35	34	33	
						73					32	31	30	29	28	27	26	25	24	23	22	21				

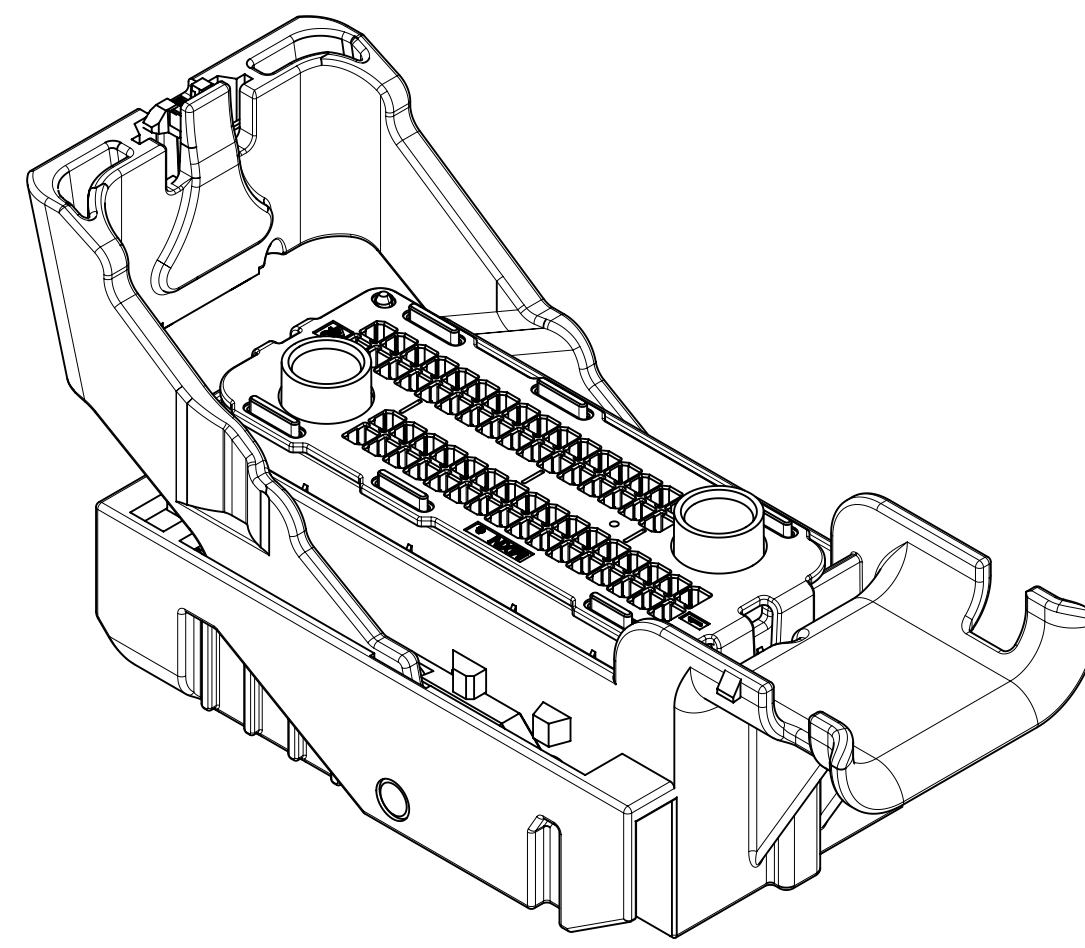
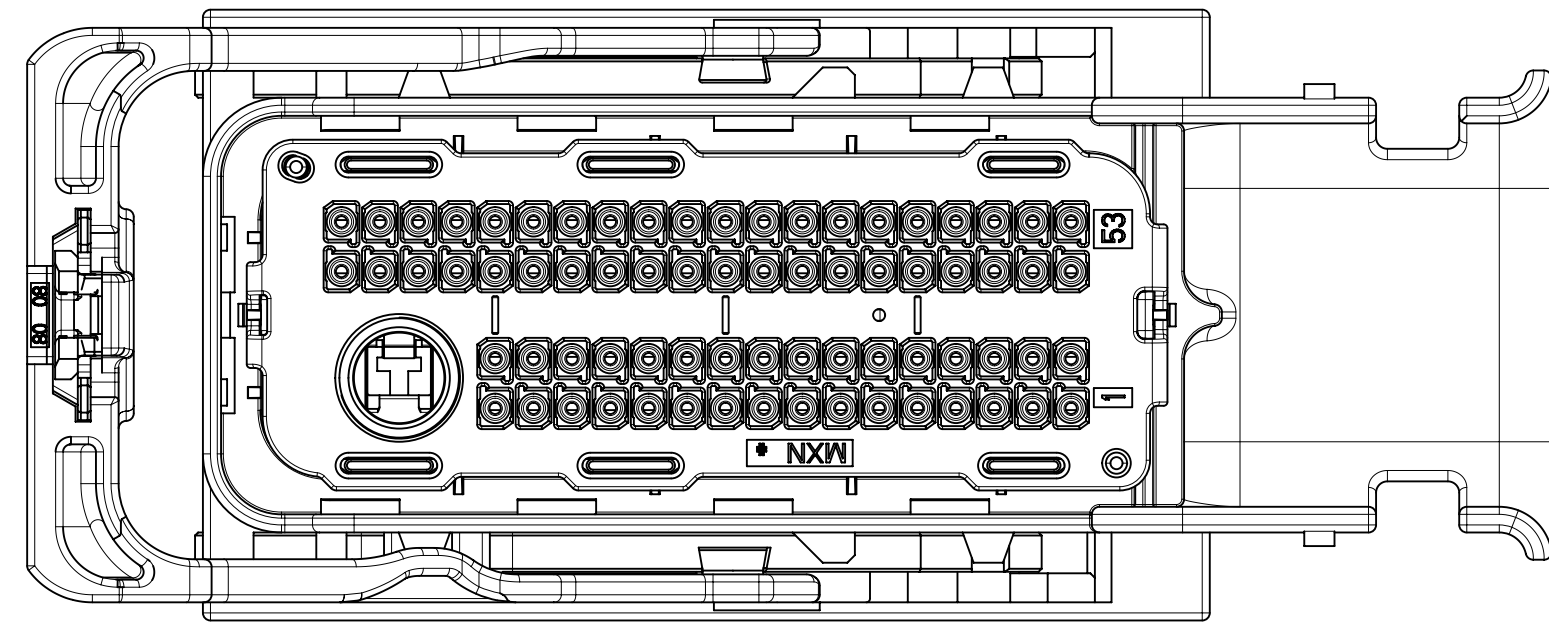


MX123 52/66/73/80-WAY RECEPTACLE ASSY SEALED PIN OUT SHEET

STATUS	GM PART #	HRNS CONN ASSY			TPA	GROMMET CAP																			
		MATERIAL/PART	WIRE DRESS OPTION	KEY OPTION ▽ Fp	COLOR OPTION ▽ Fp	NUMBERS INDICATE CAVITIES OPEN FOR CIRCUITS ▽ Fp																			
		NUMBER				72	71	70	69					64	63		61			58	57	56	55		
SALEABLE	NOT APPLICABLE	34566-0114	0	B	ST GRY	52	51	50	49										38	37	36			33	
						73				32		30	29	28		26	25	24	23	22	21	20			
						16	15	14	13	12	11	10	9	8	7	6	5	4						1	
SALEABLE	NOT APPLICABLE	34566-0124	0	B	ST GRY	72									62	61	60	59				55			
						52				48	47	46							40					33	
						73						30								22	21	20	19	18	17
						16	15	14											6		4	3			
SALEABLE	NOT APPLICABLE	34566-0134	0	B	ST GRY	72									62	61	60	59				55			
						52				48	47	46				41	40		38	37	36	35			
						73						30							22	21	20	19	18		
						16	15	14											6		4	3		1	
SALEABLE	NOT APPLICABLE	34566-0144	9	B	ST GRY														58						
																41			38	37					
						73																20	19	18	17
																	8			5	4			1	
SALEABLE	NOT APPLICABLE	34822-0663	9	C	BLUE				61	60		58													
										44	43					37								66	
						65						31								21	20	19			
																			5	4					
SALEABLE	NOT APPLICABLE	34822-0673	0	A	BLACK	64						58	57	56	55			52	51	50					
						48	47	46	45	44	43	42	41	40	39			36		34				66	
						65				32		30	29		27	26	25								
						16						12	11	10	9				6	5					



73 CKT
SCALE 3:2



66 CKT
SCALE 3:2

NOTES: UNLESS OTHERWISE SPECIFIED

1. MATERIAL:

- A. RESIN: SEE COMPONENT DRAWINGS
- B. COLOR: SEE TABLE

2. DESIGN - GENERAL:

A. THIS IS A 100% CAD GENERATED PART. THE CAD MATHEMATICAL DATA IS THE MASTER FOR THIS PART. FOR DIMENSIONAL OR ANY INFORMATION NOT SHOWN ON THIS DRAWING, ANALYZE THE CAD MODEL.

B. TOLERANCES:

- a. LINEAR X.X ± 0.30
X.XX ± 0.10
X.XXX ± 0.10
- b. ANGULAR X° ± 3.0°

C. CORNERS SHOWN AS SHARP TO BE R 0.2 MAX.

D. FOLLOWING PRODUCTION CODES TO BE PERMANENTLY MARKED & HUMAN READABLE TO A LETTER HEIGHT < 3mm.

LINE #1: MATERIAL #:XXXX-XXXX

LINE #2: DATE CODE: JJJY (JULIAN DAY, LAST DIGIT OF YEAR)

LINE #3: INSPECTION MACHINE CODE + SERIAL #: X_XXXX

E-1. PARTS MUST BE FREE OF DISCOLORATION, SALT RESIDUE AND OTHER IMPERFECTIONS THAT AFFECT FIT OR FUNCTION.

E-2. SCRATCHES OR DENTS NOT TO EXCEED 0.13mm IN DEPTH.

F. CHANGES IN DESIGN FROM PART PREVIOUSLY APPROVED REQUIRES PRIOR ENGINEERING APPROVAL. THIS INCLUDES BUT IS NOT LIMITED TO DRAFT, MATERIAL OR PROCESSING.

G. SHALL CONFORM TO THE FOLLOWING PACKAGING SPECIFICATION : PK-31300-019

3. DESIGN - MANUFACTURING:

A. DRAFT TO BE WITHIN TOLERANCE.

B. ALLOWABLE FLASH 0.2 MAX HIGH X 0.13 MAX THICK.

C. ALLOWABLE PARTING LINE MISMATCH 0.2 MAX.

D. EJECTOR PINS MARK TO BE FLUSH TO 0.25 MAX DEPRESSED.

E. ALLOWABLE GATE VESTIGE TO BE FLUSH TO 0.25 MAX PROTRUSION.

4. SYSTEM REQUIREMENTS:

WHEN TESTED TO SAE/USCAR-2 REV: 3, APRIL 2001, AND GMW #3191, AUGUST 22, 2000 (DRAFT).

A. TPA (WITHOUT TERMINALS)

a. INSERTION FORCE FROM PRE-SET TO LOCK: ≥20N

b. REMOVAL FORCE FROM PRE-SET: ≥20N

B. CPA

a. INSERTION FORCE FROM PRE-SET TO LOCK WITH CONNECTOR UN-MATED: ≥60N

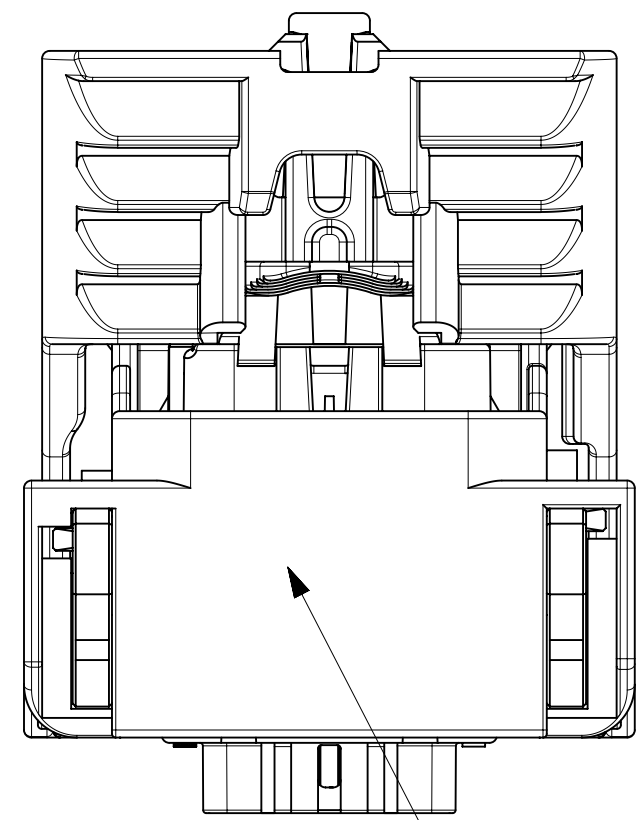
b. REMOVAL FORCE FROM PRE-SET: ≥30N

C. GROMMET CAP

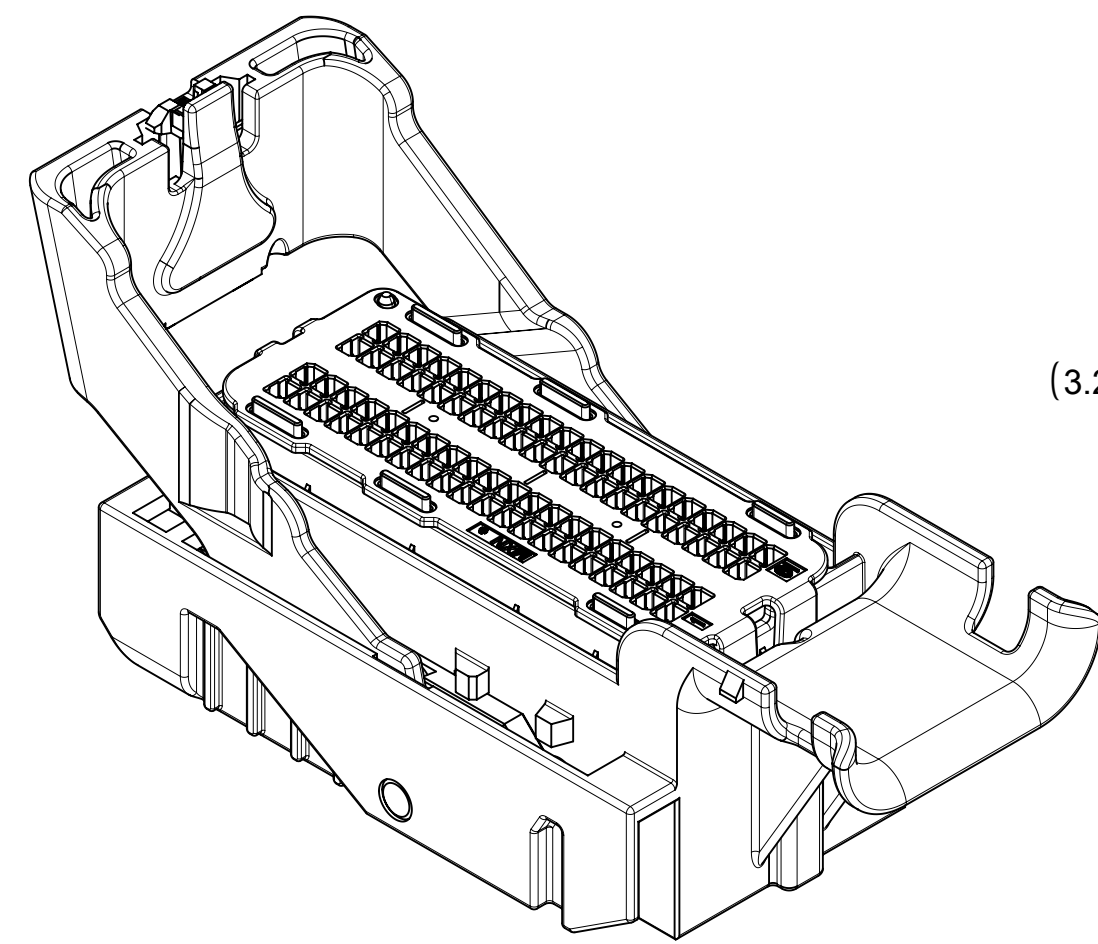
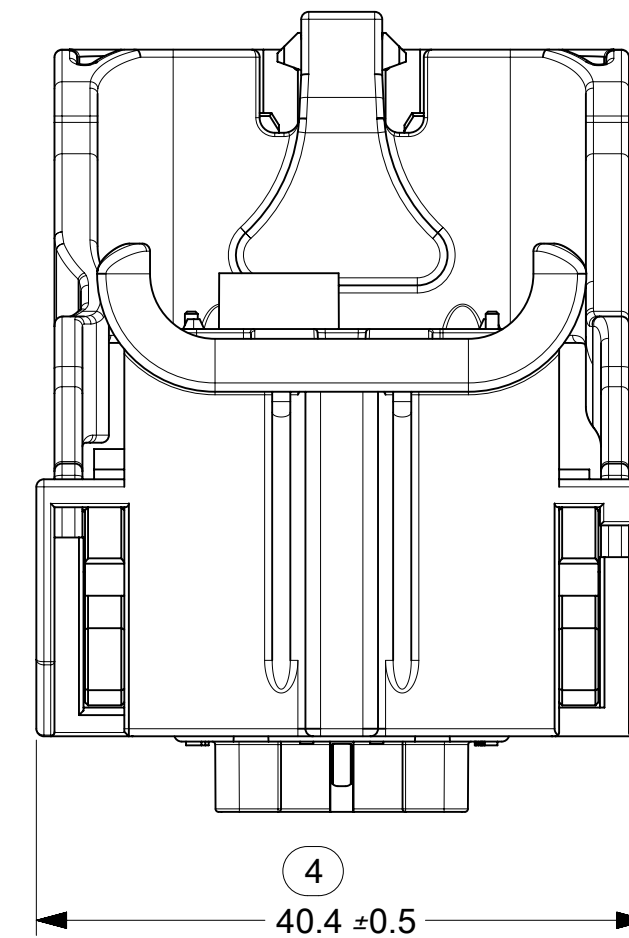
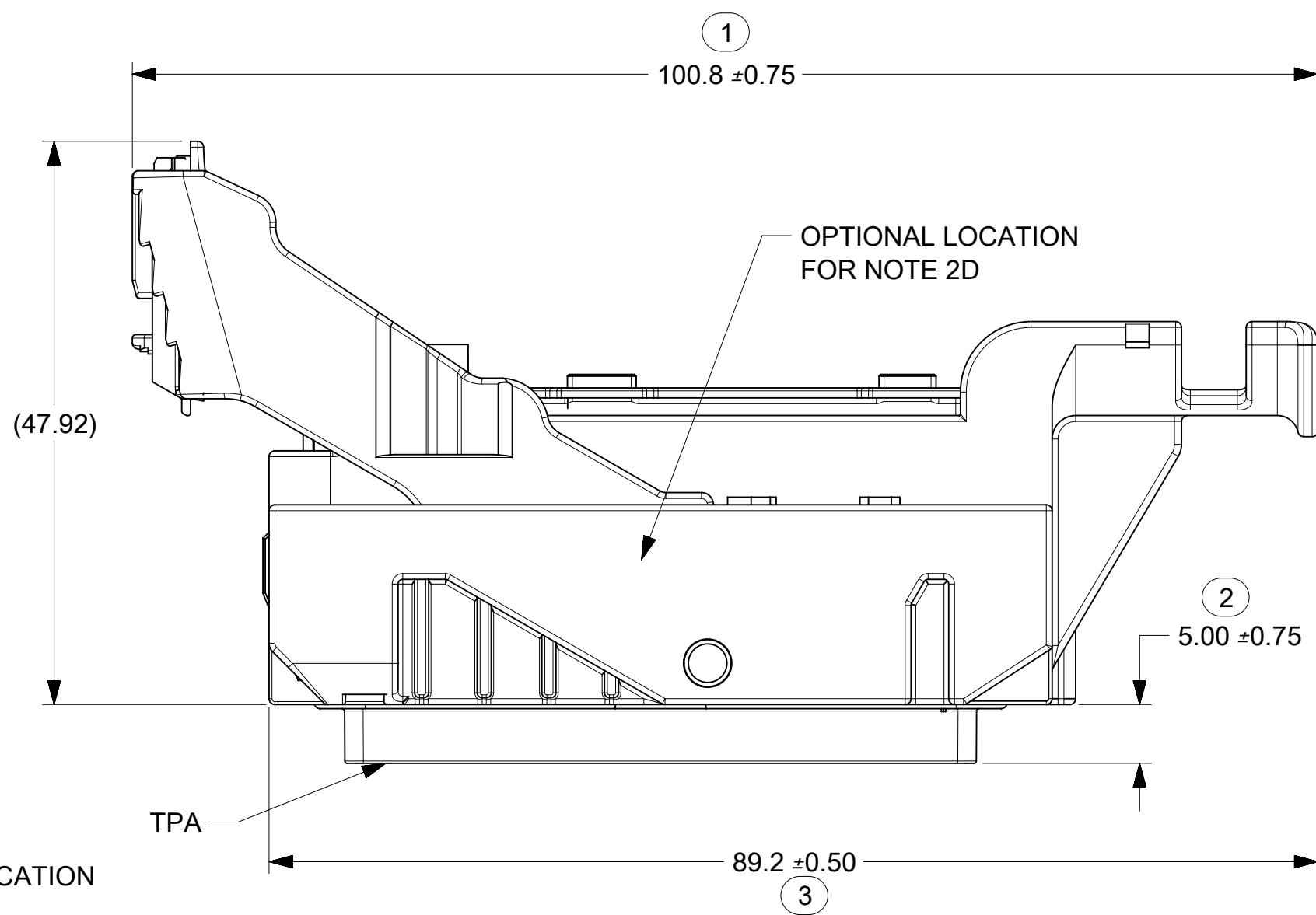
a. REMOVAL FORCE FROM HOUSING WITH ENGAGED LATCHES: ≥110N

D. MATE ASSIST LEVER

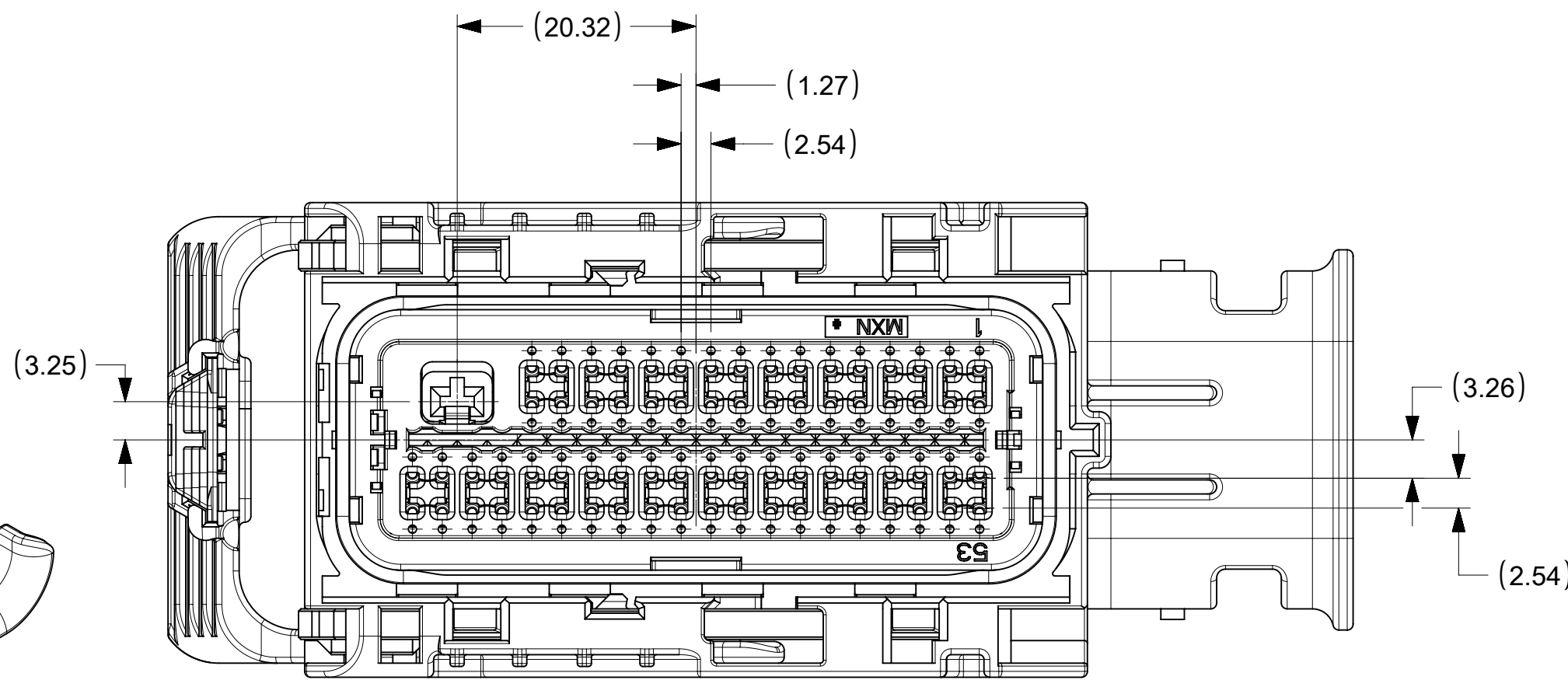
a. INADVERTENT ACTUATION FORCE DURING SHIPPING, HANDLING OR PRE-ASSEMBLY: ≥190N



RECOMMENDED LOCATION FOR NOTE 2D



80 CKT
SCALE 3:2



G63	CHANGE DIMENSION 47.92 AND 89.2±0.50 POSITION; CHANGE > TO ≥ IN NOTES 4; TAKE OFF MODEL NUMBERS IN SHEET 2-4
G62	UPDATE ALL VIEWS IN SHEET 1, SHEET 2 AND SHEET 3
G61	BOM MIGRATE TO 345660001-SD.pdf
G60	ADD NEW PIN CONFIGURATION 34822-0253 thru 34822-0293 , 34566-8773 thru 34566-8983, 34576-7663 thru 34576-7723
G59	UPDATED HARNESS ASSY PART# DESCRIPTIONS
G58	ADD NEW PIN CONFIGURATION 34566-8743 34566-8753 34566-8763 34822-0243
G56	TO RESOLVE ISSUES WITH VIEWS ON SHEETS 1, 2, 3 AND 4
G55	ADDED HARNESS CONNECTOR ASSEMBLY PART NUMBERS
G54	ADDED KNOCKOUT PATTERNS
G53	UPDATED DRAWING TO INCLUDE ISO WIRE AND AWG WIRE HRNS CONN ASSEMBLY PART NUMBERS
G52	ADD NEW PIN CONFIGURATION 34566-8613 34566-8623
G51	ADD NEW PIN CONFIGURATION 34566-8563 34566-8573 34566-8583 34566-8593 34822-0183 34822-0193 34822-0203 34822-0213
G50	ADD NEW PIN CONFIGURATION 34566-8543 34566-8553
G49	ADD NEW PIN CONFIGURATION 34566-8443 34566-8453 34566-8463 34566-8473 34566-8483 34566-8493 34566-8513 34566-8523 34566-8533
G48	ADD NEW PIN CONFIGURATION 34566-8393 34566-8413 34566-8423 34566-8433
G47	SHEETS SEQUENCE ARE CORRECTED
G46	ADD NEW PIN CONFIGURATION 34566-8223 34566-8233 34566-8243 34566-8253 34566-8263 34566-8273 34566-8283 34566-8293 34566-8313 34566-8323 34566-8333 34566-8343 34566-8353 34566-8363 34566-8373 34566-8383
G45	NX RE-MASTERING
G44	ADD NEW PIN CONFIGURATION 34566-8173
G43	ADD NEW PIN CONFIGURATION 34566-8163 34566-2493 SAME AS P/N 34566-3863
REV	DESCRIPTION

SYMBOLS		THIS DRAWING CONTAINS INFORMATION THAT IS PROPRIETARY TO MOLEX ELECTRONIC TECHNOLOGIES, LLC AND SHOULD NOT BE USED WITHOUT WRITTEN PERMISSION	
▽ = 0	MM	SCALE	2:1
▽ = 0	GENERAL TOLERANCES (UNLESS SPECIFIED)		
▽ = 0	ANGULAR TOL	±	°
▽ = 0	4 PLACES	±	
▽ = 0	3 PLACES	±	
▽ = 0	2 PLACES	±	
▽ = 0	1 PLACE	±	
▽ = 0	0 PLACES	±	
■ = 0	DRAFT WHERE APPLICABLE MUST REMAIN WITHIN DIMENSIONS		
▽ = 0	CURRENT REV DESC:		
EC NO: 605052		2018/09/27	
DRWN: HKLIANG		2018/10/10	
CHK'D: JDENG02		2018/10/10	
APPR: JDENG02		2018/10/10	
INITIAL REVISION:			
DRWN: TYE		2016/05/06	
APPR: SKRAJENDRANA		2016/08/22	
THIRD ANGLE PROJECTION		DRAWING SERIES	
D-SIZE		34566	
MATERIAL NUMBER		CUSTOMER	
SEE TABLE		GENERAL MARKET	
DOCUMENT NUMBER		DOC TYPE	
SD-34566-001		PSD	
DOC PART		REVISION	
000		G63	
SHEET NUMBER		1 OF 8	

DOCUMENT STATUS	P1	RELEASE DATE	2018/10/10	03:26:09
-----------------	----	--------------	------------	----------

molex

MX123
66/73/80CKT HRNS CONN ASSY

PRODUCT CUSTOMER DRAWING

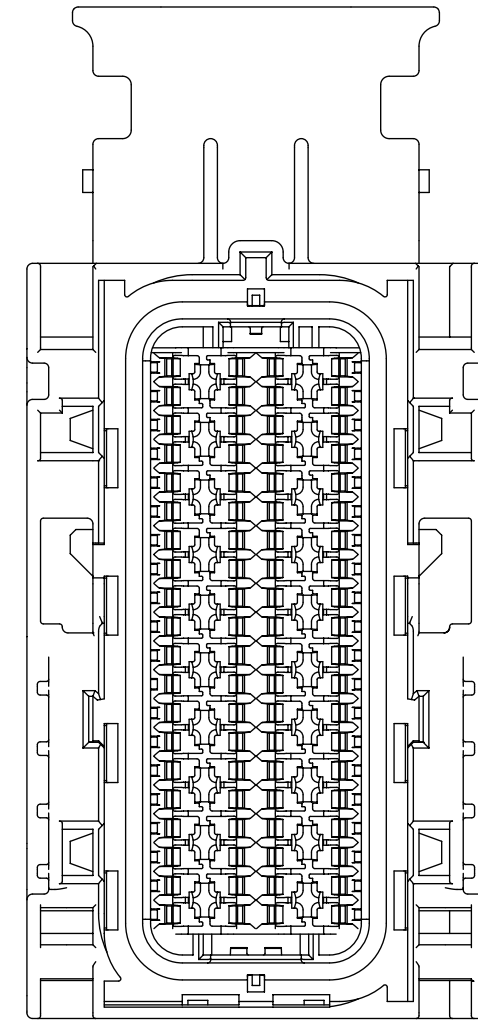
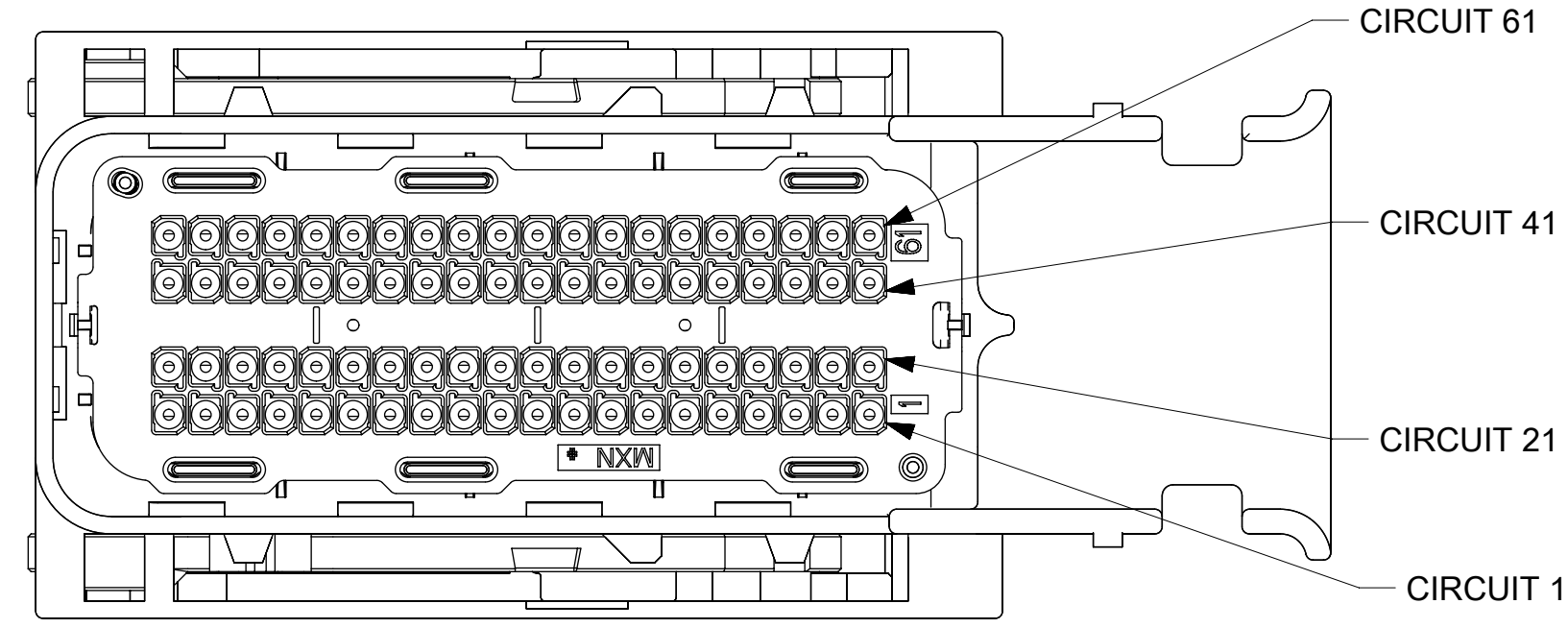
DOCUMENT NUMBER	DOC TYPE	DOC PART	REVISION
SD-34566-001	PSD	000	G63

MATERIAL NUMBER	CUSTOMER	SHEET NUMBER
SEE TABLE	GENERAL MARKET	1 OF 8

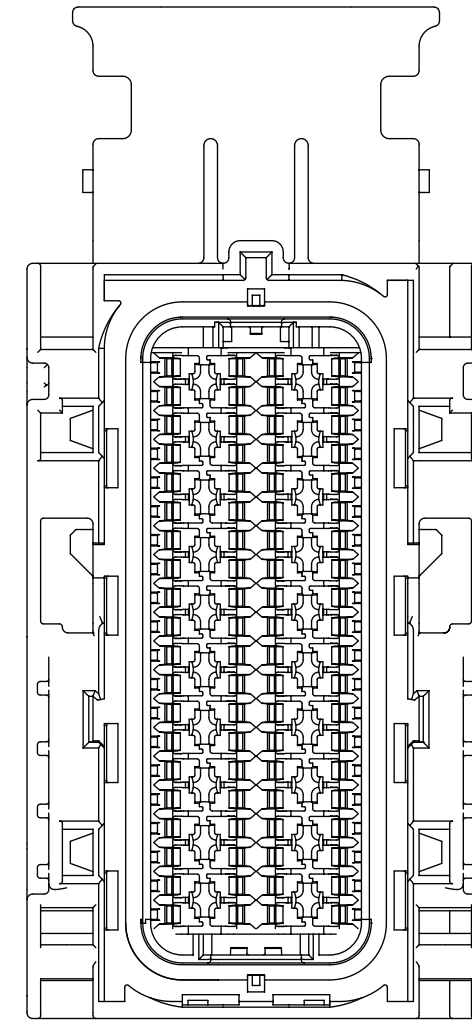
80 CKT

WIRE DRESS OPTION 0

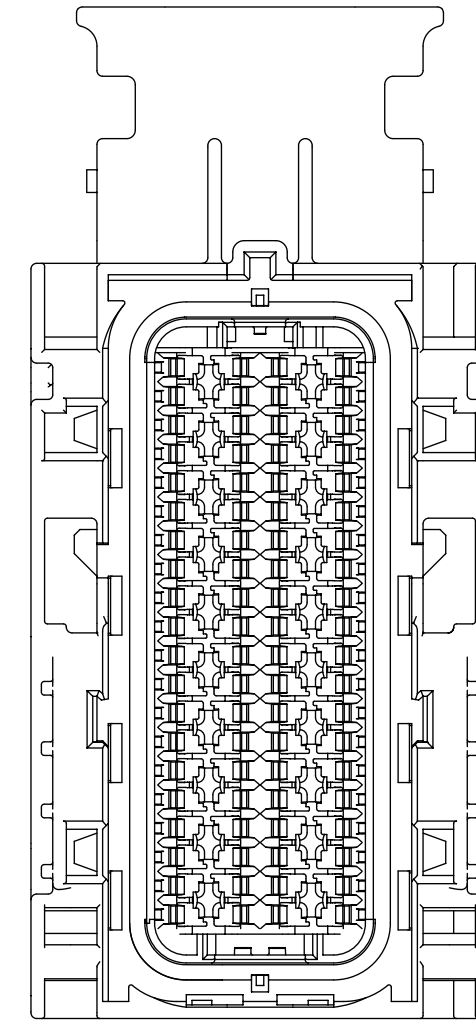
HOUSING ONLY, SHOWN FOR CLARITY



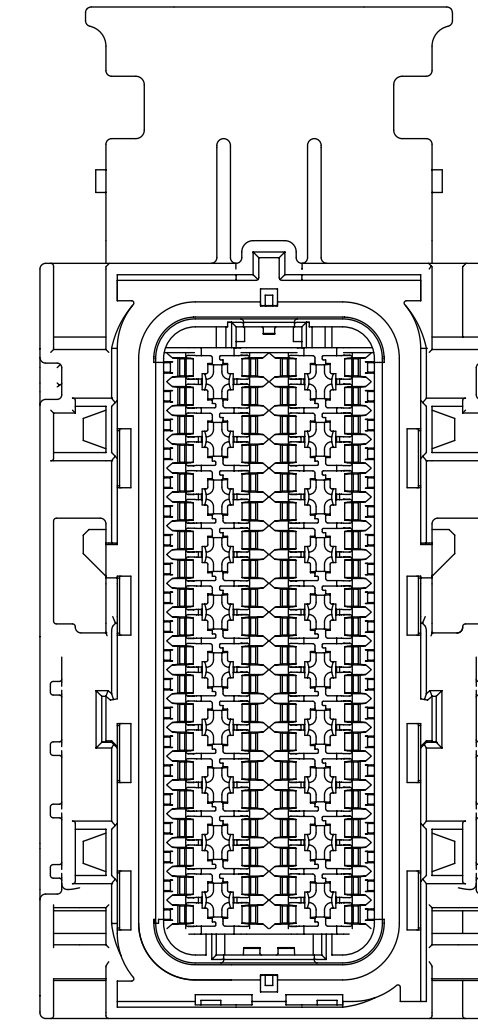
KEY G



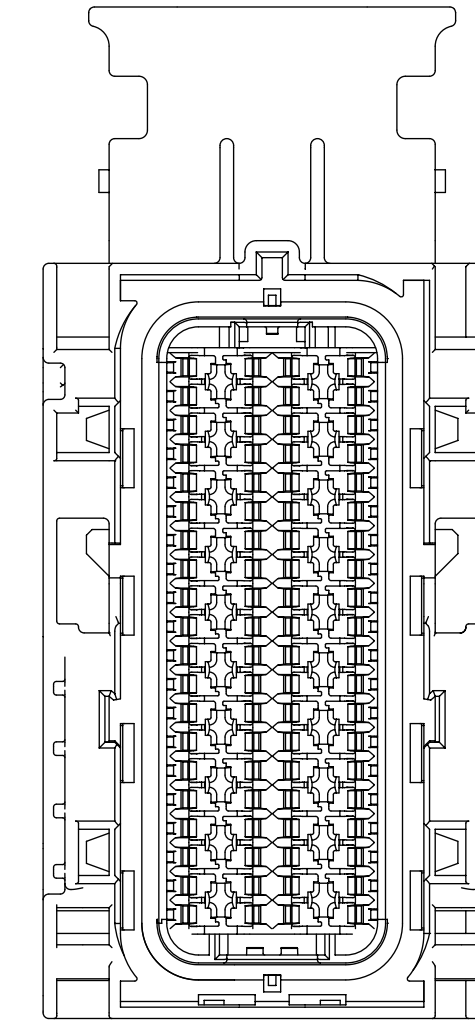
KEY H



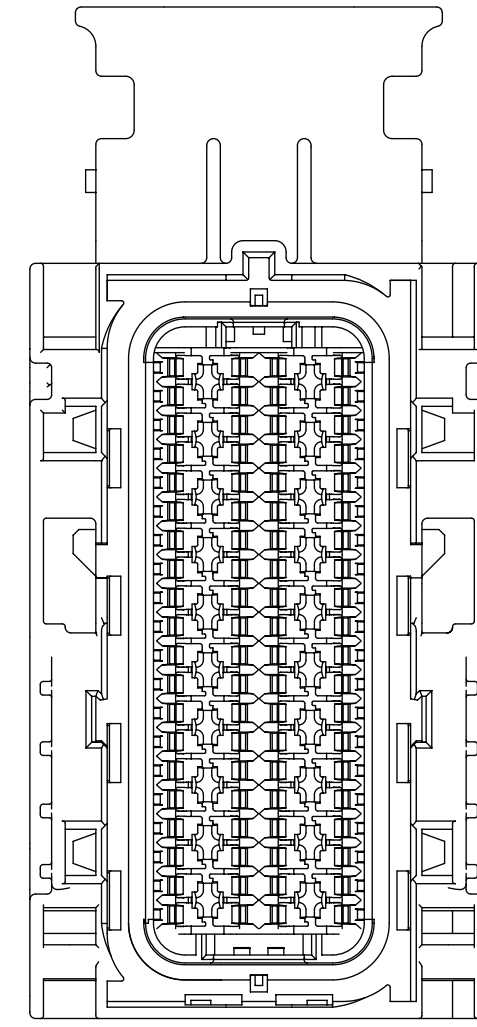
KEY J



KEY K

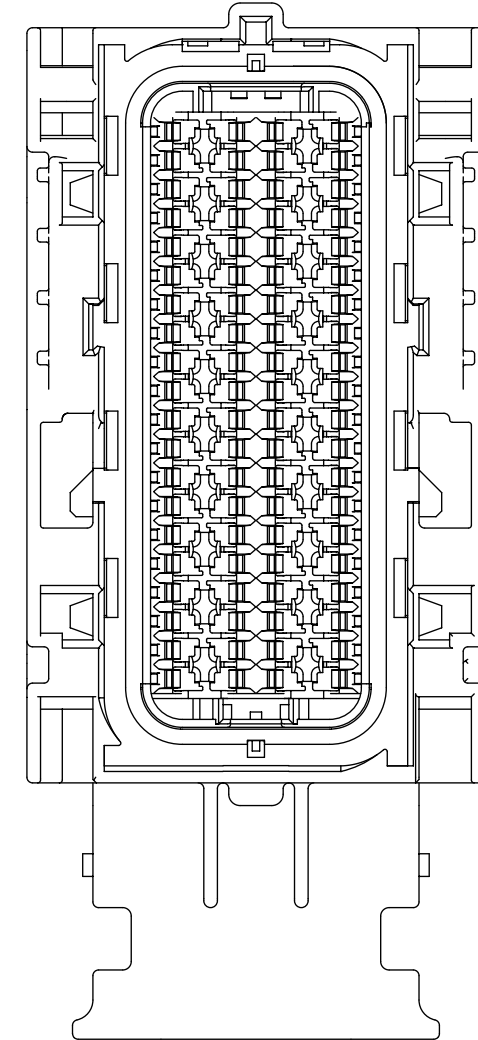
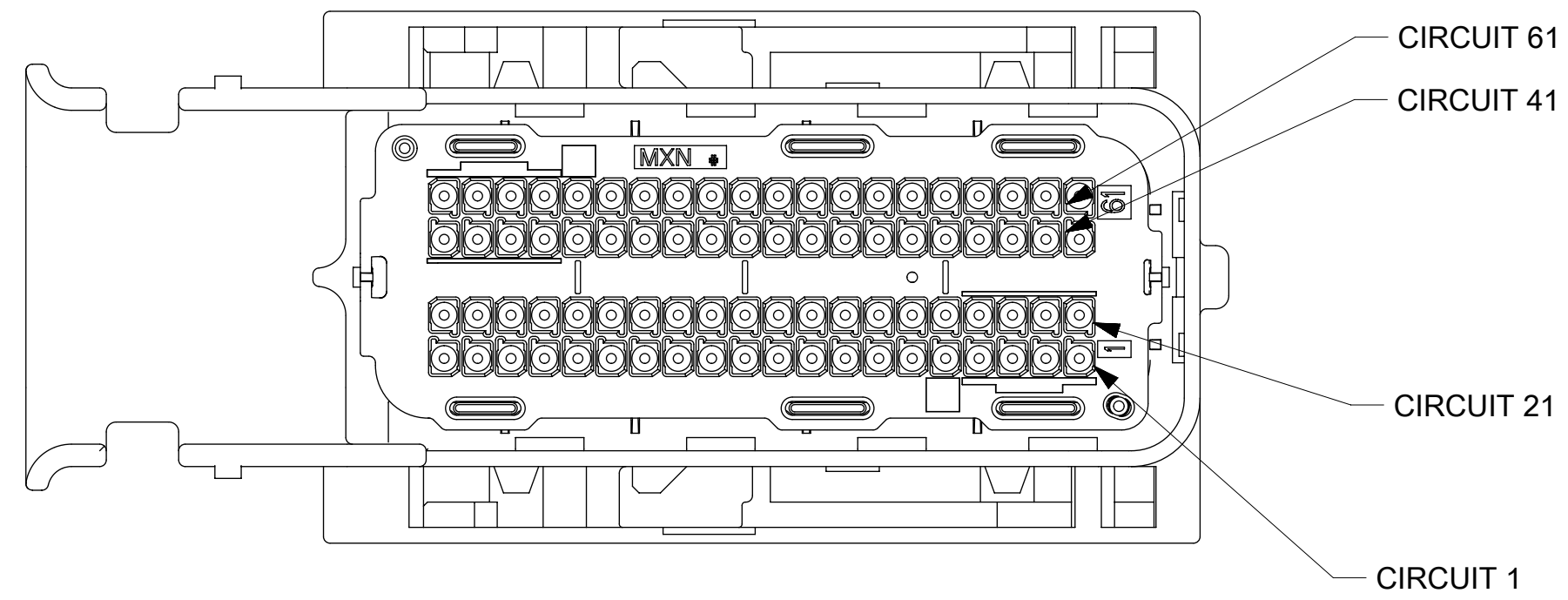


KEY L

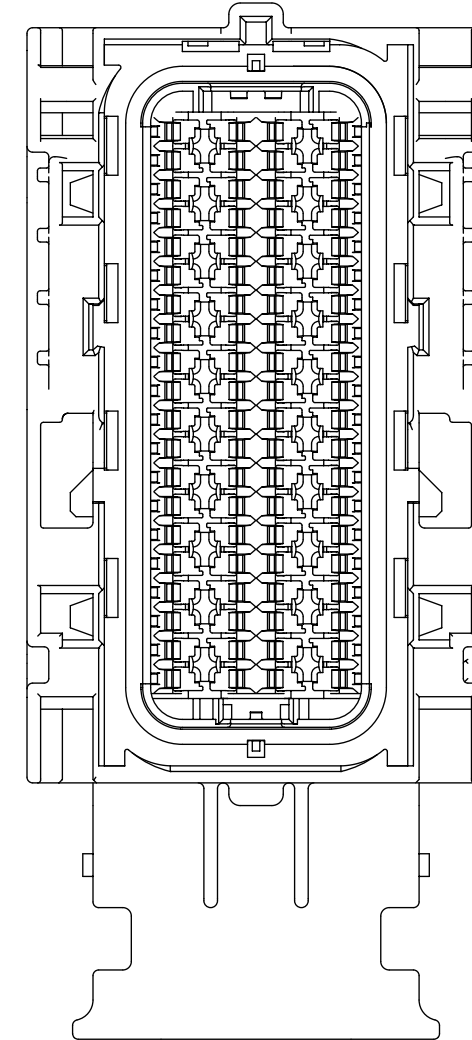


KEY M

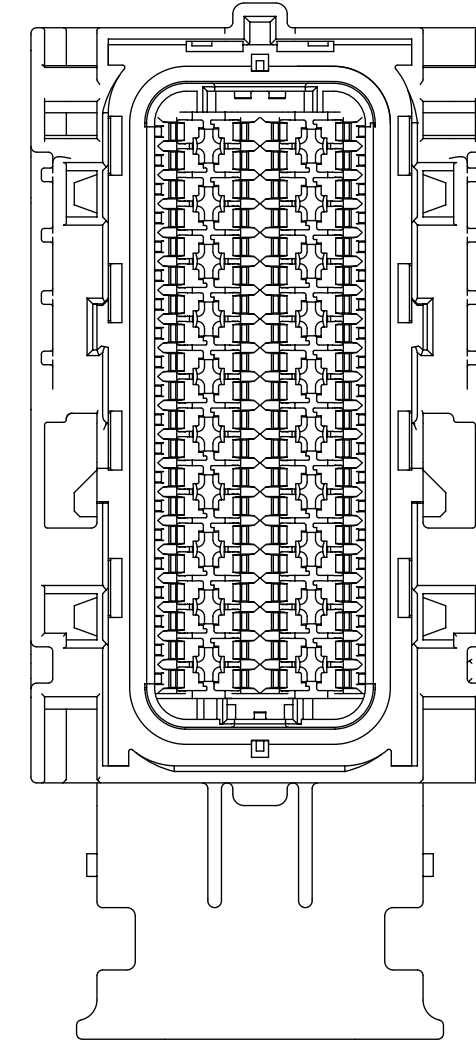
WIRE DRESS OPTION 9



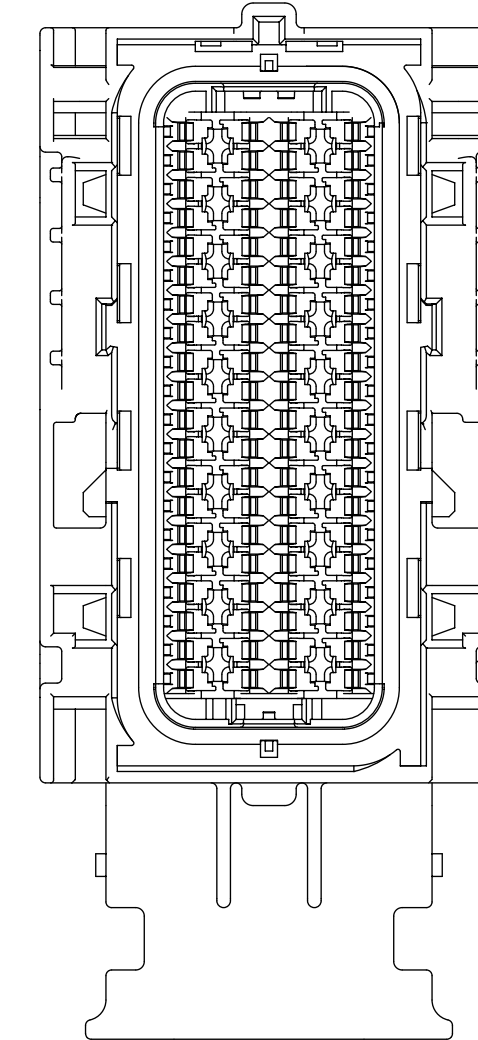
KEY G



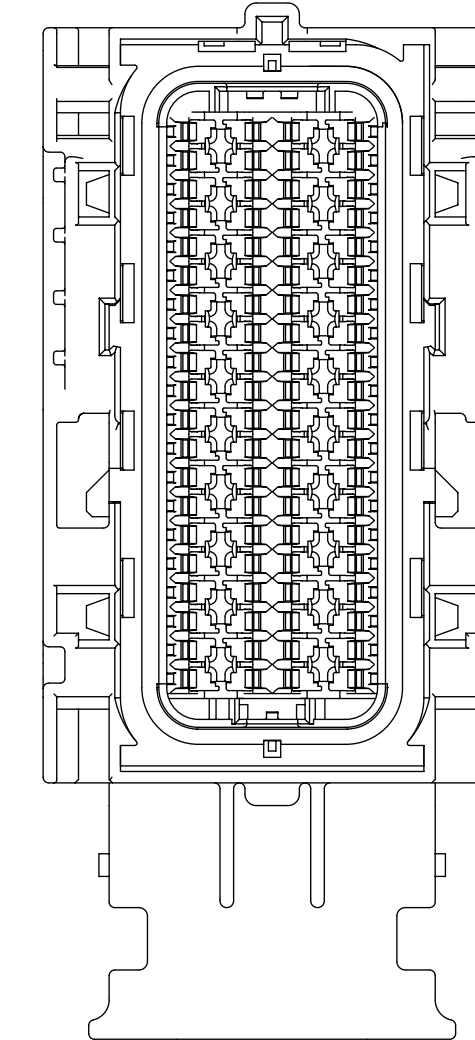
KEY H



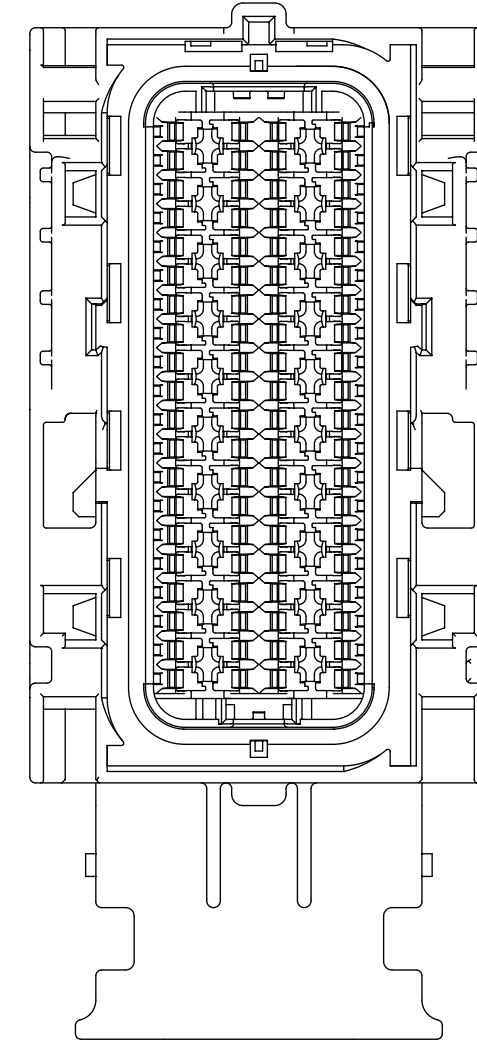
KEY J



KEY K



KEY L



KEY M

SYMBOLS	THIS DRAWING CONTAINS INFORMATION THAT IS PROPRIETARY TO MOLEX ELECTRONIC TECHNOLOGIES, LLC AND SHOULD NOT BE USED WITHOUT WRITTEN PERMISSION		
	DIMENSION UNITS	SCALE	CURRENT REV DESC:
▽ = 0	MM		EC NO: 605052 DRWN: HKLIANG 2018/09/27 CHK'D: JDENG02 2018/10/10 APPR: JDENG02 2018/10/10 INITIAL REVISION: DRWN: TYE 2016/05/06 APPR: SKRAJENDRANA 2016/08/22
▽ = 0	GENERAL TOLERANCES (UNLESS SPECIFIED)		
▽ = 0	ANGULAR TOL	± °	
▽ = 0	4 PLACES	±	
▽ = 0	3 PLACES	±	
▽ = 0	2 PLACES	±	
▽ = 0	1 PLACE	±	
▽ = 0	0 PLACES	±	
■ = 0	DRAFT WHERE APPLICABLE MUST REMAIN WITHIN DIMENSIONS		THIRD ANGLE PROJECTION
▽ = 0			DRAWING SERIES
			D-SIZE 34566
DOCUMENT STATUS		RELEASE DATE	MATERIAL NUMBER
P1	2018/10/10 03:26:09	2018/10/10	SD-34566-001
DOCUMENT NUMBER		DOC TYPE	DOC PART
SD-34566-001		PSD	000
REVISION		REVISION	
G63		G63	
CUSTOMER		SHEET NUMBER	
GENERAL MARKET		2 OF 8	

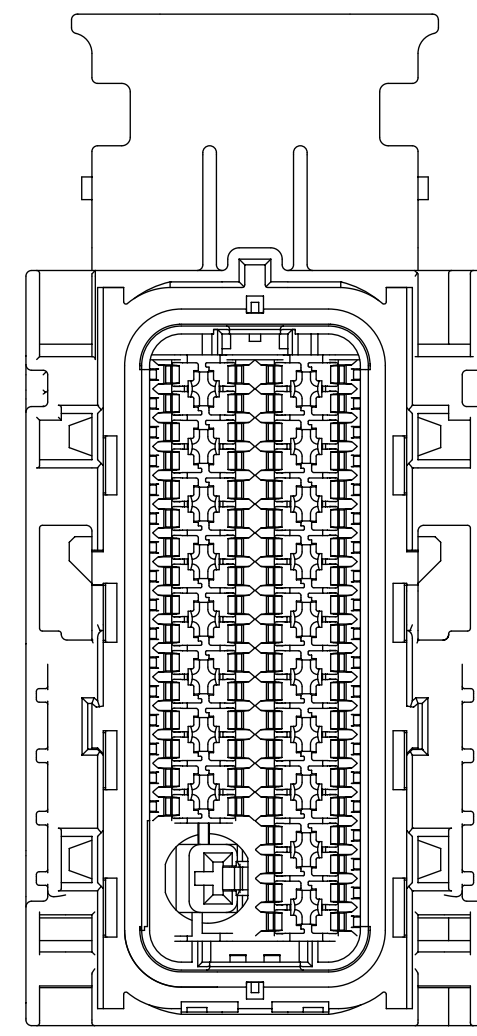
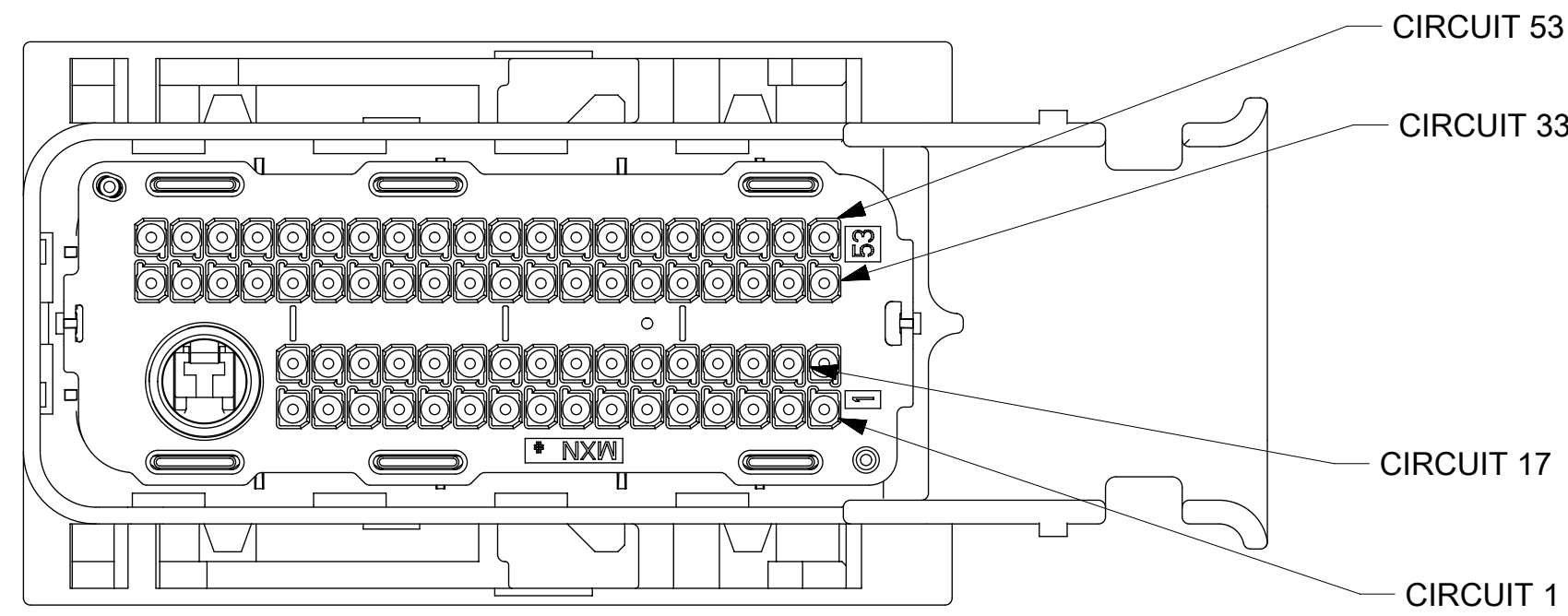
molex

MX123
66/73/80CKT HRNS CONN ASSY

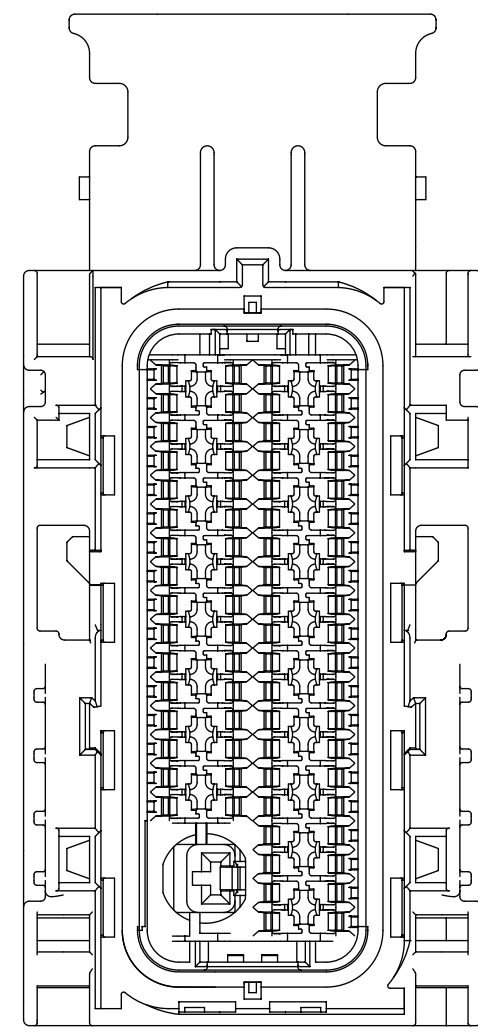
PRODUCT CUSTOMER DRAWING

73 CKT
WIRE DRESS OPTION 0

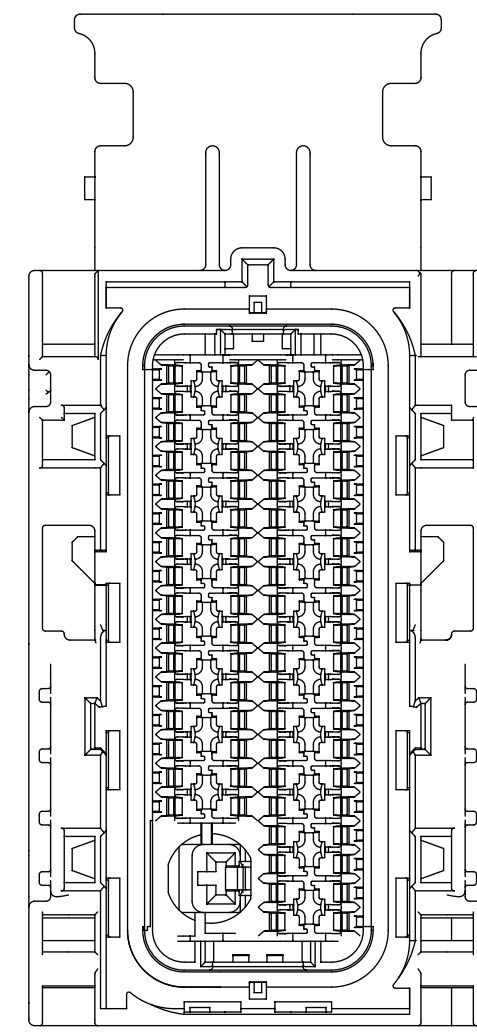
HOUSING ONLY, SHOWN FOR CLARITY



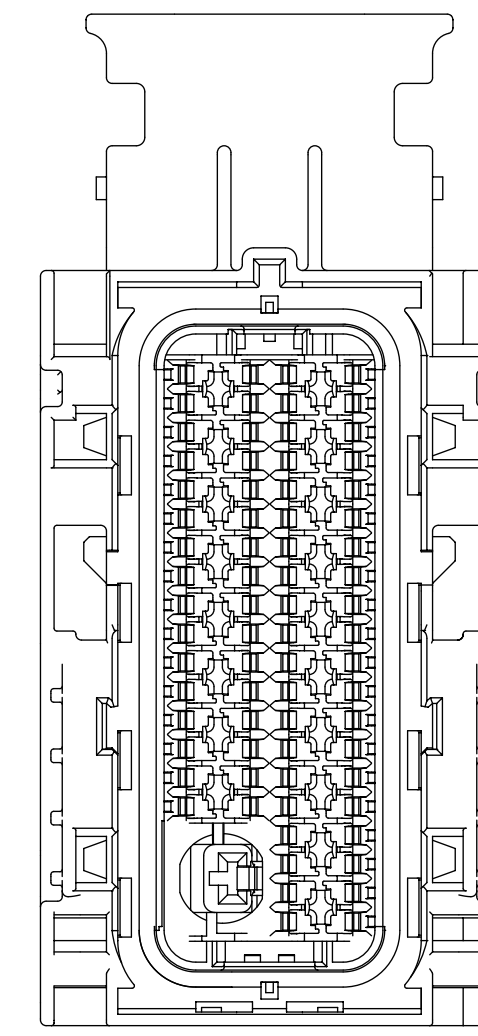
KEY A



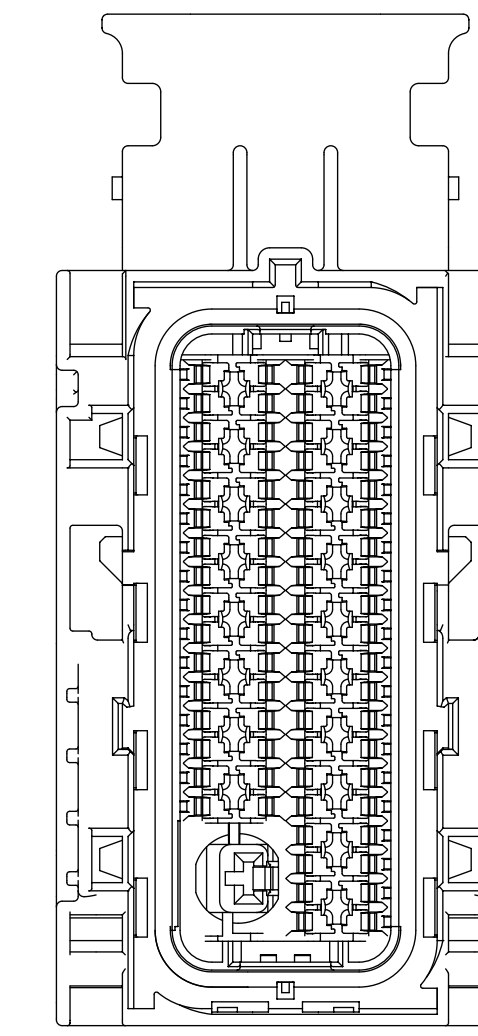
KEY B



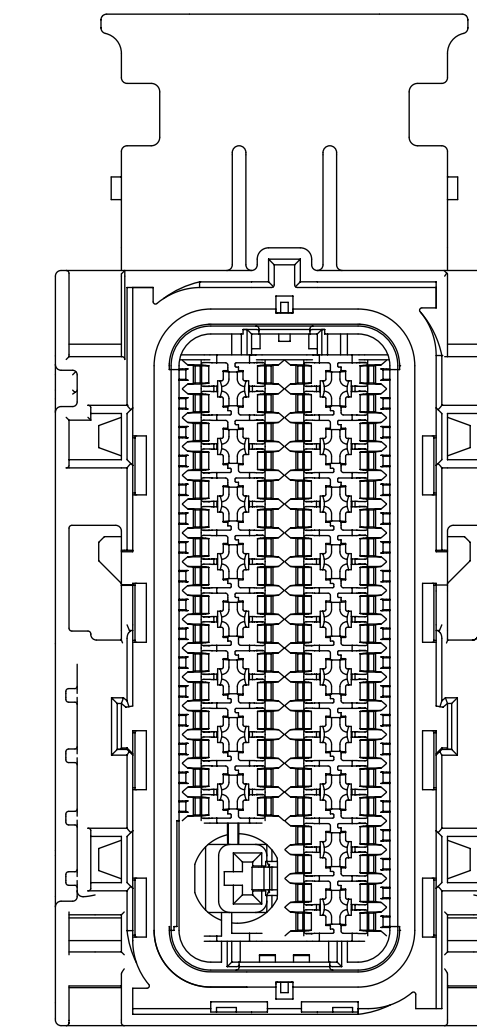
KEY C



KEY D

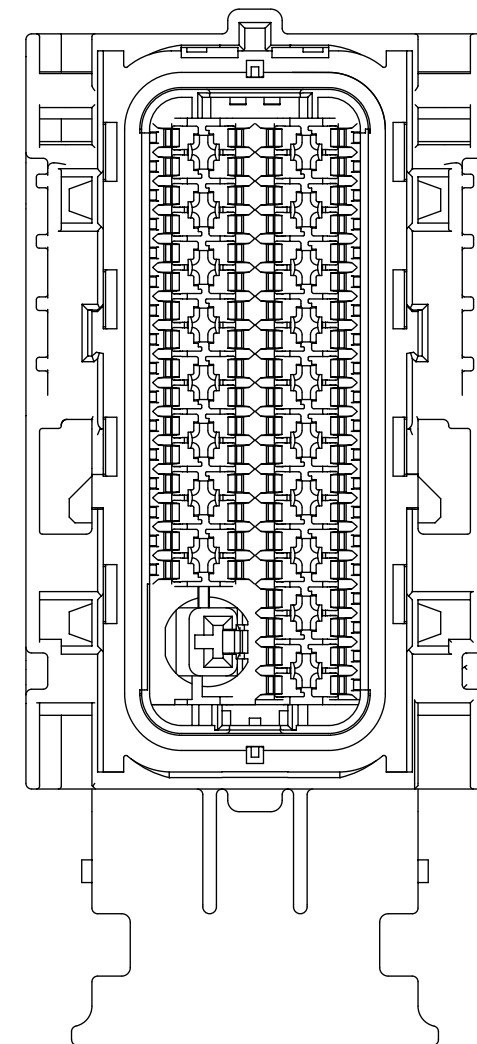
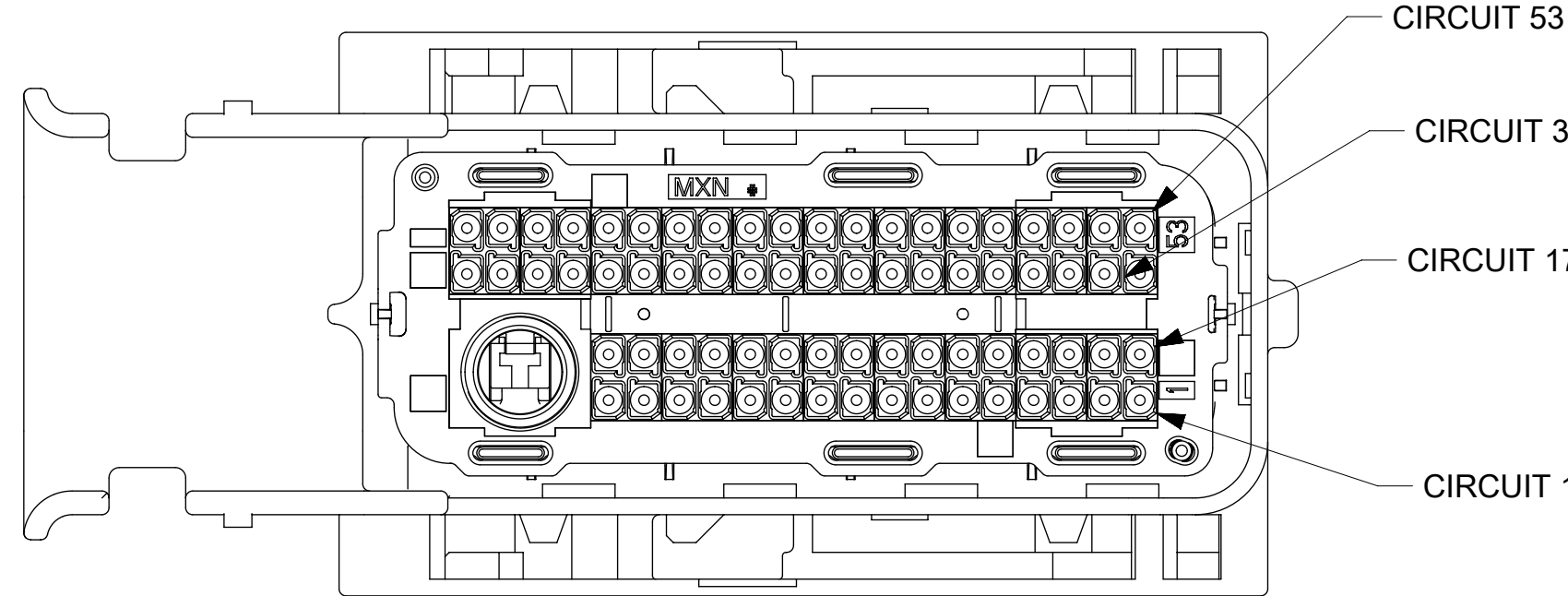


KEY E

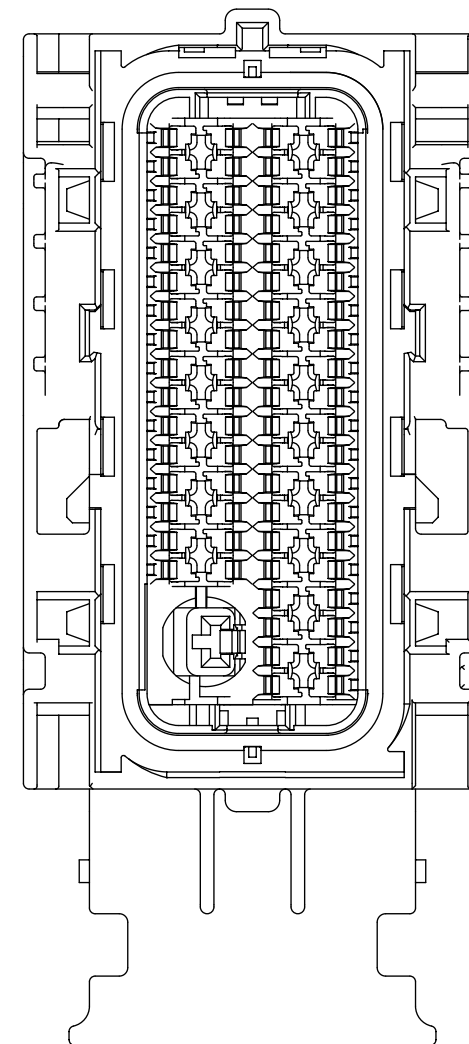


KEY F

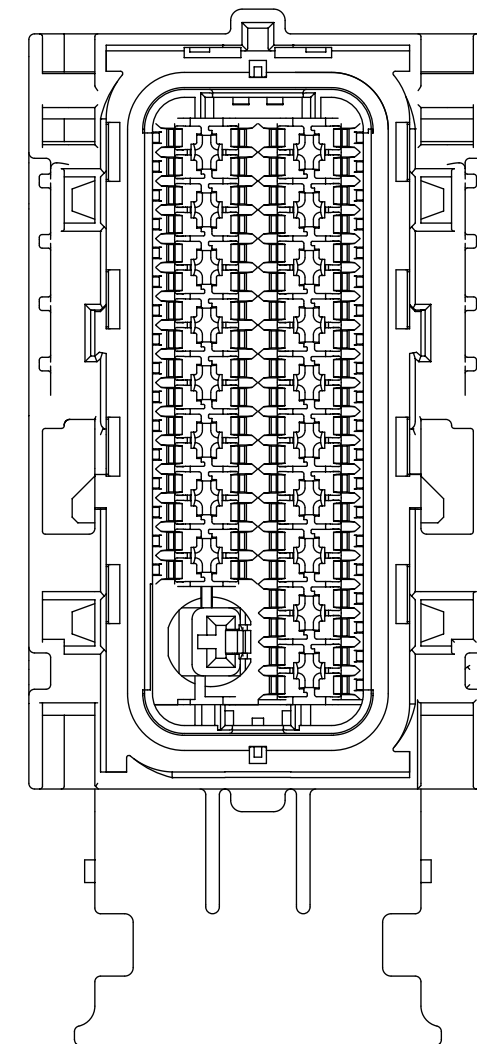
WIRE DRESS OPTION 9



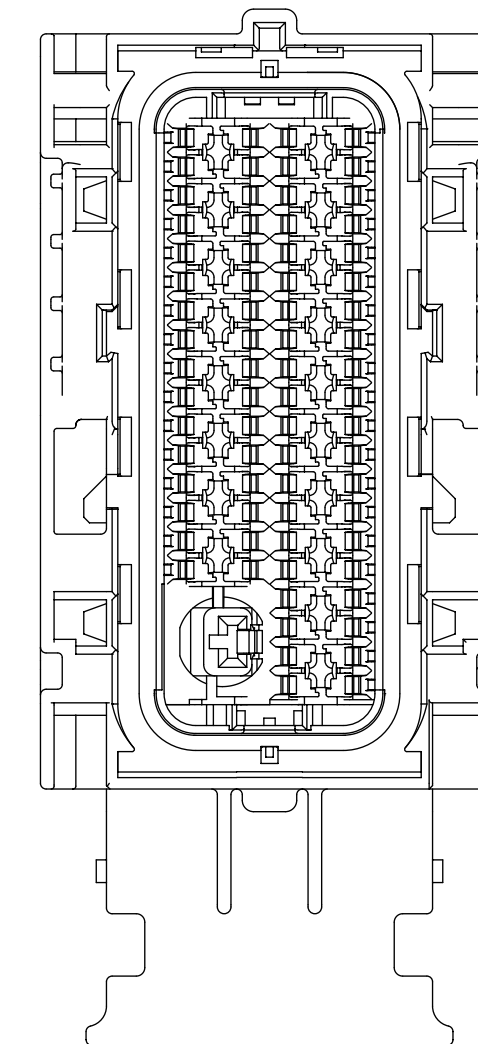
KEY A



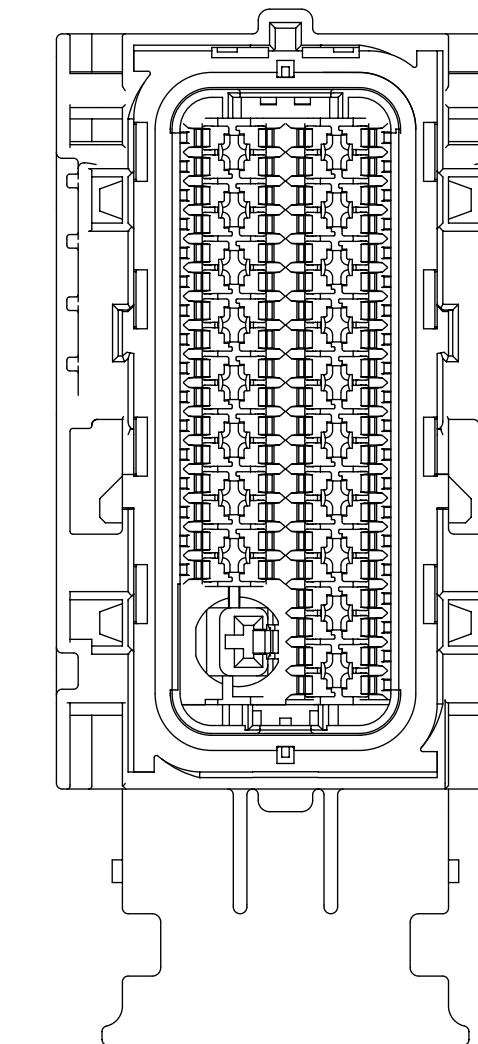
KEY B



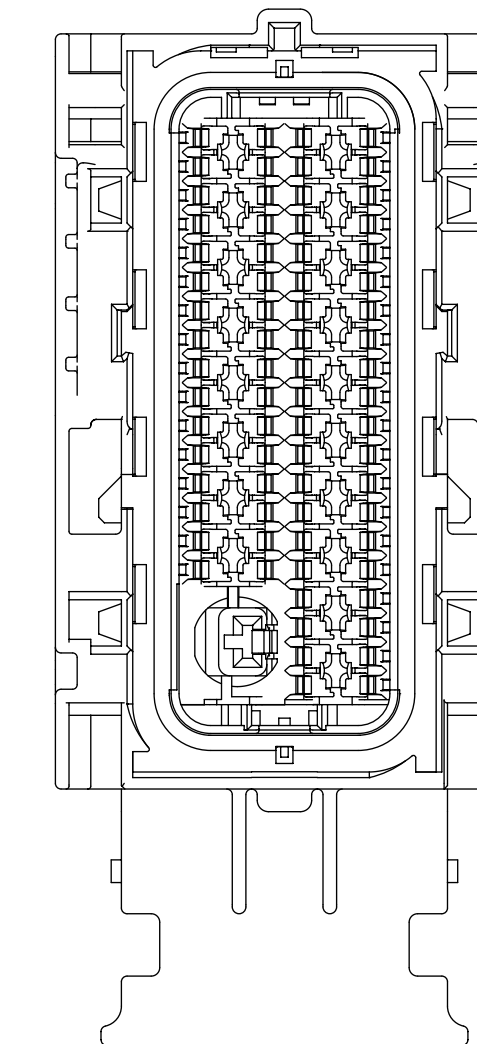
KEY C



KEY D



KEY E

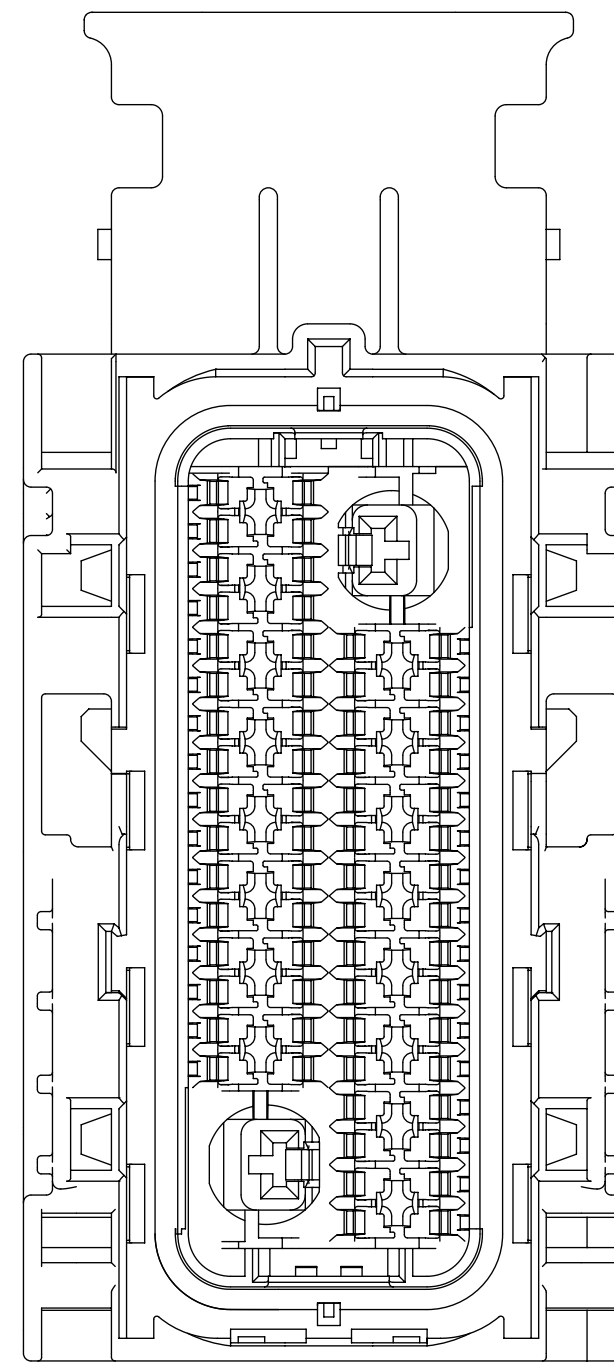
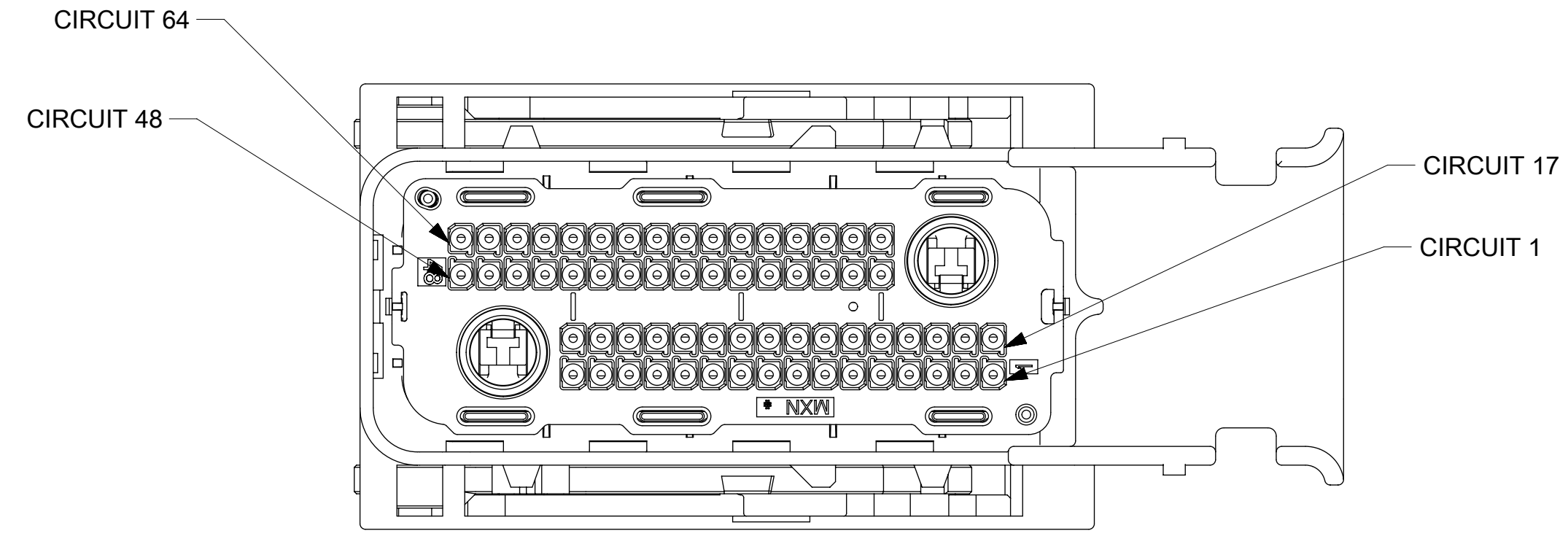


KEY F

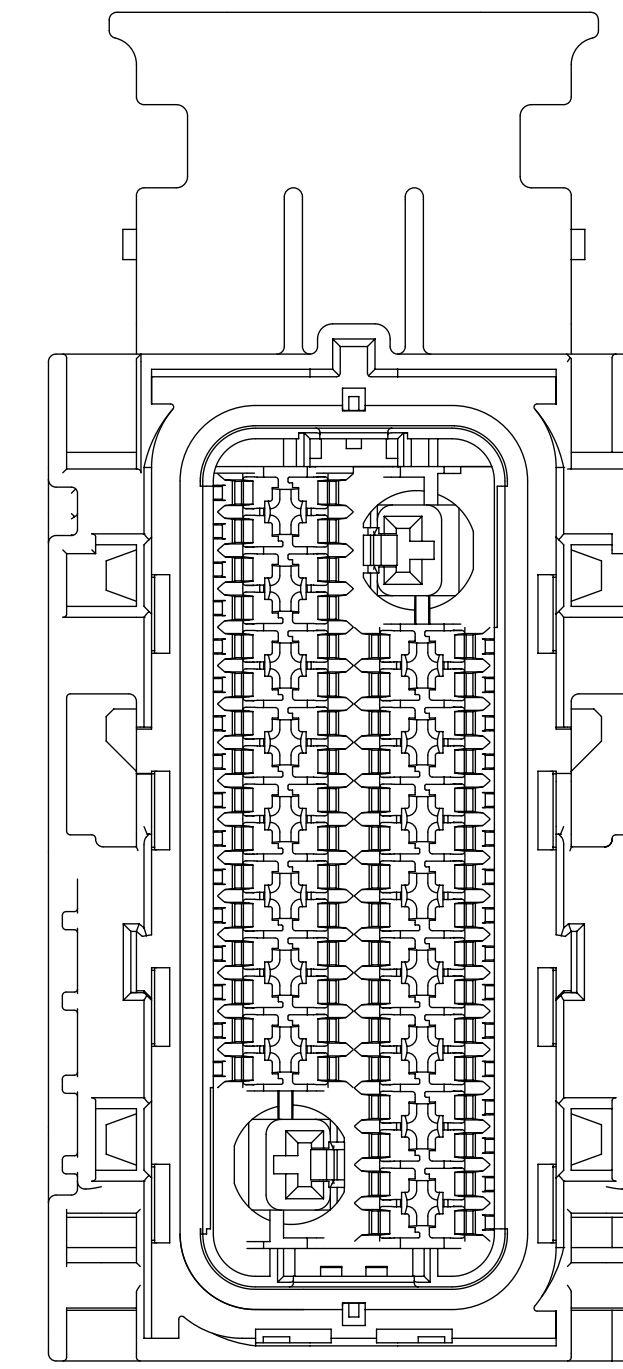
SYMBOLS	THIS DRAWING CONTAINS INFORMATION THAT IS PROPRIETARY TO MOLEX ELECTRONIC TECHNOLOGIES, LLC AND SHOULD NOT BE USED WITHOUT WRITTEN PERMISSION										
	DIMENSION UNITS	SCALE	CURRENT REV DESC:								
▽ = 0	MM		<p>molex</p> <p>MX123 66/73/80CKT HRNS CONN ASSY</p> <p>PRODUCT CUSTOMER DRAWING</p> <table border="1"> <tr> <td>DOCUMENT NUMBER</td> <td>DOC TYPE</td> <td>DOC PART</td> <td>REVISION</td> </tr> <tr> <td>SD-34566-001</td> <td>PSD</td> <td>000</td> <td>G63</td> </tr> </table>	DOCUMENT NUMBER	DOC TYPE	DOC PART	REVISION	SD-34566-001	PSD	000	G63
DOCUMENT NUMBER	DOC TYPE	DOC PART		REVISION							
SD-34566-001	PSD	000		G63							
▽ = 0	GENERAL TOLERANCES (UNLESS SPECIFIED)										
▽ = 0	ANGULAR TOL	± °									
▽ = 0	4 PLACES	±									
▽ = 0	3 PLACES	±									
▽ = 0	2 PLACES	±									
▽ = 0	1 PLACE	±									
▽ = 0	0 PLACES	±									
■ = 0	DRAFT WHERE APPLICABLE	THIRD ANGLE PROJECTION	<p>EC NO: 605052</p> <p>DRWN: HKLIANG 2018/09/27</p> <p>CHK'D: JDENG02 2018/10/10</p> <p>APPR: JDENG02 2018/10/10</p> <p>INITIAL REVISION:</p> <p>DRWN: TYE 2016/05/06</p> <p>APPR: SKRAJENDRANA 2016/08/22</p>								
▽ = 0	MUST REMAIN WITHIN DIMENSIONS	DRAWING	<p>DRW: D-SIZE</p> <p>SERIES 34566</p>								
DOCUMENT STATUS		P1	<p>MATERIAL NUMBER</p> <p>SEE TABLE</p>								
RELEASE DATE		2018/10/10 03:26:09	<p>CUSTOMER</p> <p>GENERAL MARKET</p>								
			<p>SHEET NUMBER</p> <p>3 OF 8</p>								

HOUSING ONLY, SHOWN FOR CLARITY

66 CKT
WIRE DRESS OPTION 0

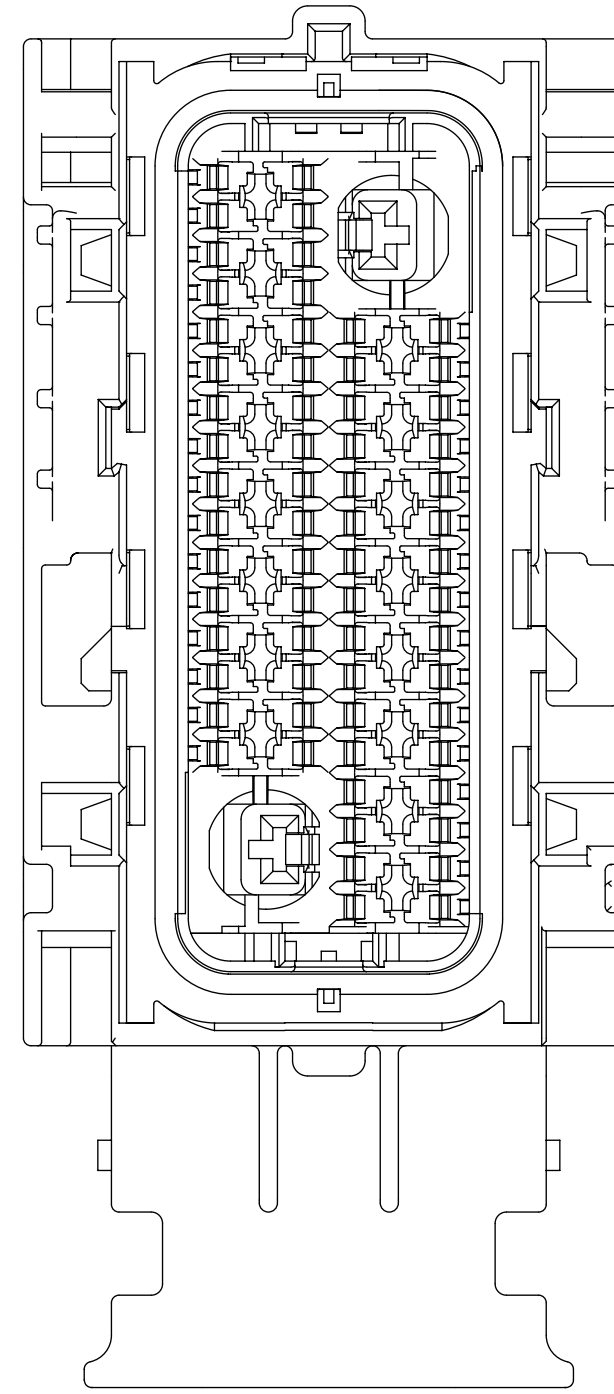
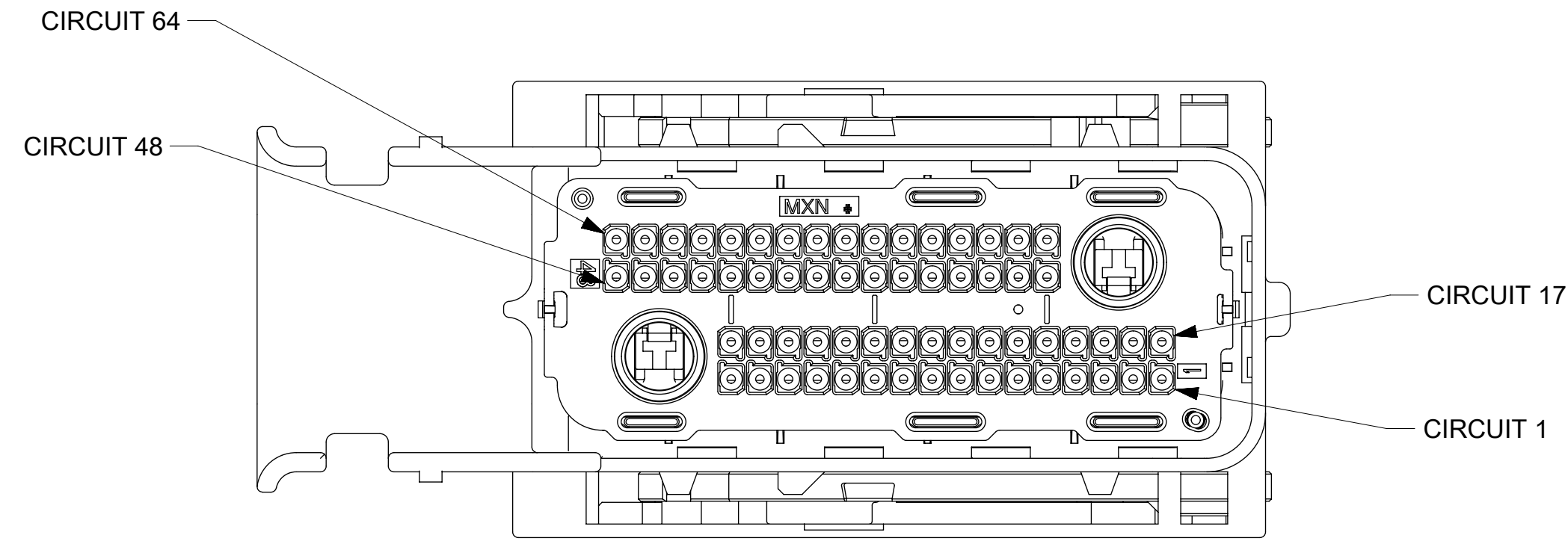


KEY A

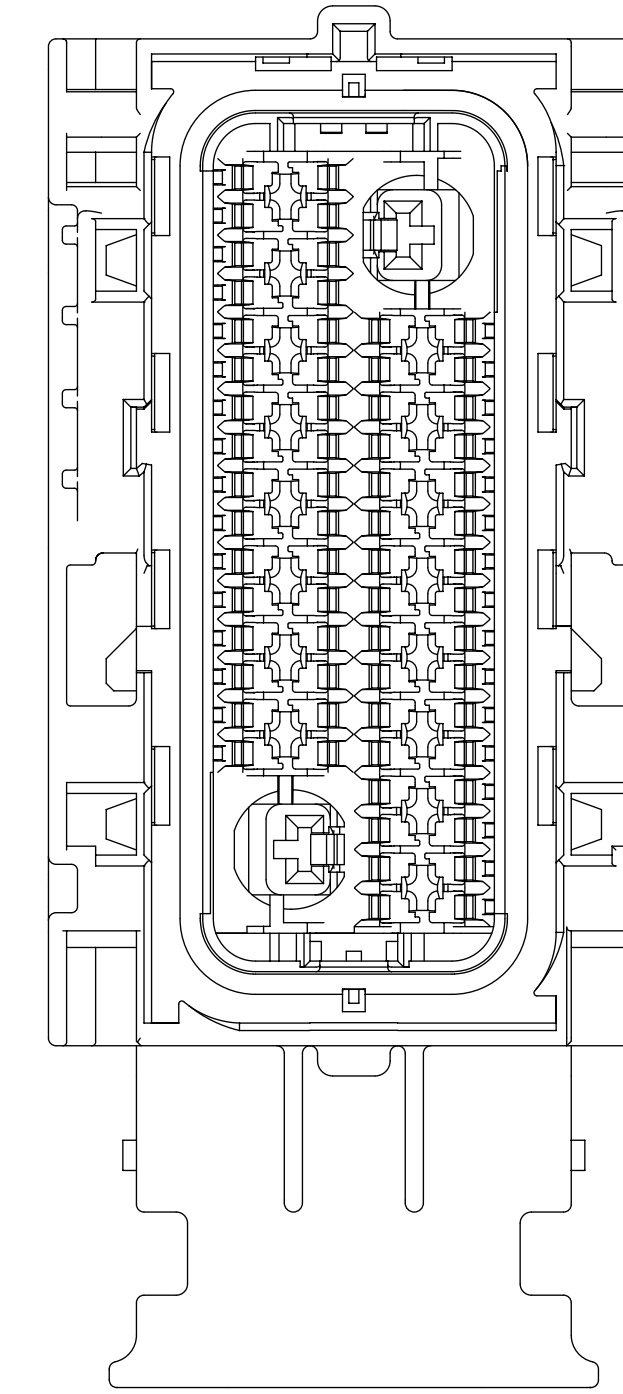


KEY C

WIRE DRESS OPTION 9



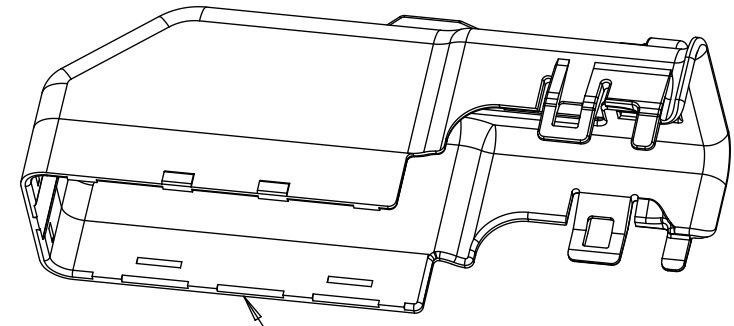
KEY A



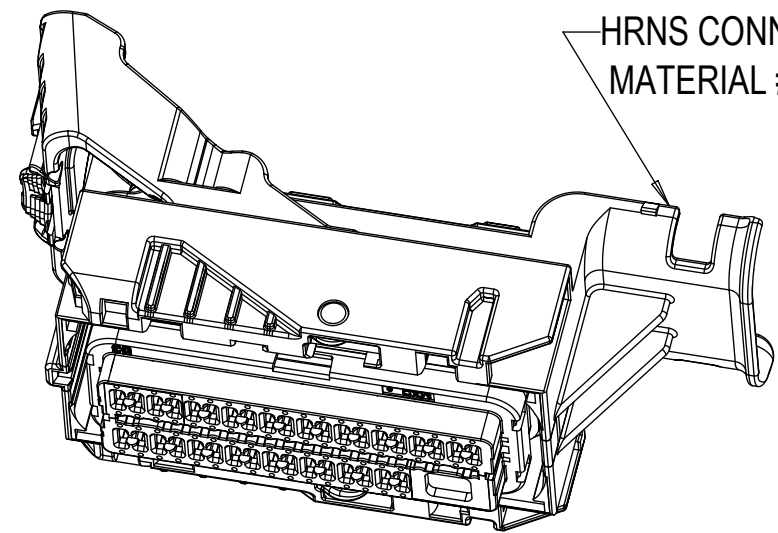
KEY C

SYMBOLS = 0 = 0 = 0 = 0 = 0 = 0 = 0 = 0 = 0 = 0 = 0 = 0	THIS DRAWING CONTAINS INFORMATION THAT IS PROPRIETARY TO MOLEX ELECTRONIC TECHNOLOGIES, LLC AND SHOULD NOT BE USED WITHOUT WRITTEN PERMISSION		CURRENT REV DESC:		 MX123 66/73/80CKT HRNS CONN ASSY PRODUCT CUSTOMER DRAWING			
	DIMENSION UNITS	SCALE						DOCUMENT NUMBER
	MM	2:1			SD-34566-001	PSD	000	G63
	GENERAL TOLERANCES (UNLESS SPECIFIED)		EC NO: 605052					
	ANGULAR TOL ± °		DRWN: HKLIANG 2018/09/27					
	4 PLACES ±		CHK'D: JDENG02 2018/10/10					
	3 PLACES ±		APPR: JDENG02 2018/10/10					
	2 PLACES ±		INITIAL REVISION:					
	1 PLACE ±		DRWN: TYE 2016/05/06					
	0 PLACES ±		APPR: SKRAJENDRANA 2016/08/22					
DRAFT WHERE APPLICABLE MUST REMAIN WITHIN DIMENSIONS		THIRD ANGLE PROJECTION	DRAWING	SERIES	MATERIAL NUMBER	CUSTOMER	SHEET NUMBER	
			D-SIZE	34566	SEE TABLE	GENERAL MARKET	4 OF 8	

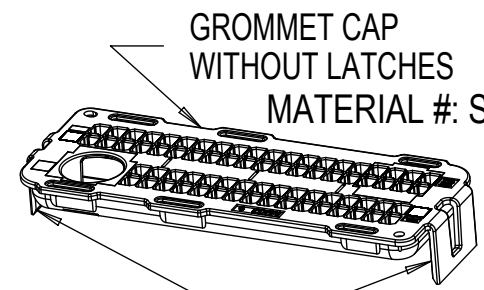
HRNS ASSY COMPONENT LIST



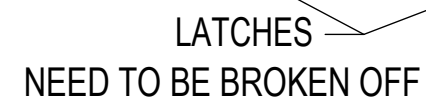
DRESS COVER
MATERIAL #: SEE HRNS ASSY TABLE



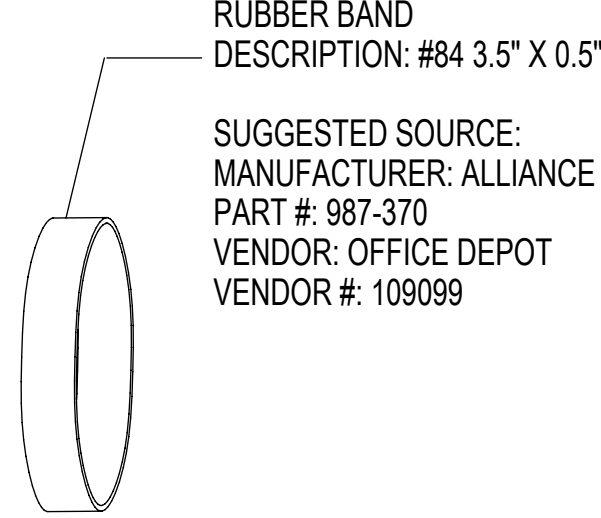
HRNS CONN. ASSY
MATERIAL #: SEE HRNS ASSY TABLE



GROMMET CAP WITHOUT LATCHES
MATERIAL #: SEE HRNS ASSY TABLE

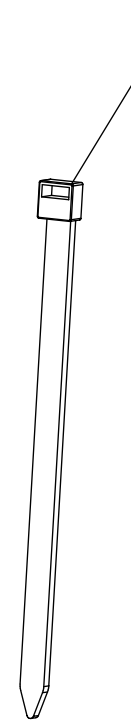


LATCHES
NEED TO BE BROKEN OFF



RUBBER BAND
DESCRIPTION: #84 3.5" X 0.5"

SUGGESTED SOURCE:
MANUFACTURER: ALLIANCE
PART #: 987-370
VENDOR: OFFICE DEPOT
VENDOR #: 109099



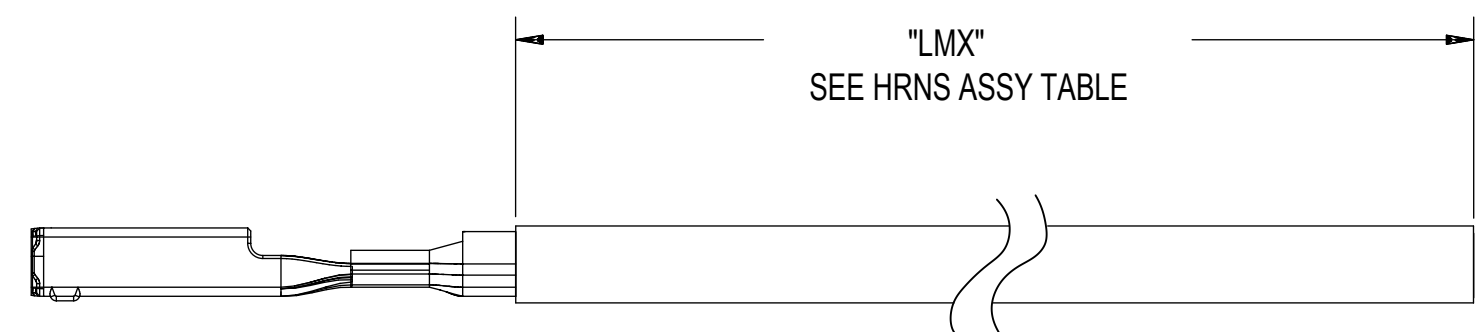
TY-RAP
DESCRIPTION: SIZE TY25 CABLE TIE

SUGGESTED SOURCE:
MANUFACTURER: THOMAS & BETTS
PART #: TY25M
VENDOR: CRESENT ELEC
VENDOR #: 104144

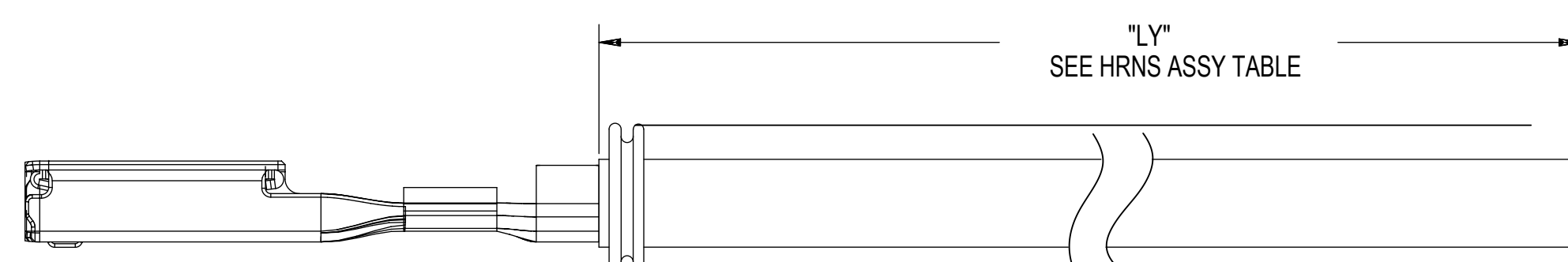
HRNS ASSY



MX64 WIRE ASSY LOOPED
MATERIAL #: SEE HRNS ASSY TABLE



MX64 WIRE ASSY PIGTAIL
MATERIAL #: SEE HRNS ASSY TABLE



2.8mm YESC SEALED FEMALE PIGTAIL ASSY
MATERIAL #: SEE HRNS ASSY TABLE

AWG WIRE HRNS ASSY TABLE

TESTED	HRNS ASSY				HRNS CONN ASSY MATERIAL #	DRESS COVER MATERIAL #	GROMMET CAP MATERIAL #	MX64 WIRE ASSY PER E-33468-001						2.8mm YESC SEALED FEMALE TERMINAL TIN					TY-RAP QTY	RUBBER BAND QTY		
	MATERIAL #	CIRCUIT ID	KEY OPTION	WIRE DRESS OPTION				MATERIAL #	MATERIAL #	MATERIAL #	MATERIAL #	RCPT PLATING	SAE WIRE SIZE #	WIRE TYPE	PIGTAIL OR LOOPED	"LMX" IN METERS 10%	QTY	MATERIAL #			SAE WIRE SIZE #	WIRE TYPE
NO	34070-9234	80	H	0	34566-0803	34565-0003	34571-0301	334670203	Ag	18	TXL	PGTL	3	80	N/A	N/A	N/A	N/A	N/A	N/A	6	0
NO	34070-9934	73	A	0	34566-0103	34565-0003	34571-0101	334670203	Ag	18	TXL	PGTL	3	72	343670005	14	TXL	PGTL	3	1	6	0
NO	34070-9834	73	B	0	34566-0203	34565-0003	34571-0101	334670203	Ag	18	TXL	PGTL	3	72	343670005	14	TXL	PGTL	3	1	6	0
(H30) NO	34330-9214	80	H	0	34566-0803	34565-0003	N/A	334670204	Ag	18	TXL	LPD	1	40	N/A	N/A	N/A	N/A	N/A	N/A	3	1
NO	34330-9914	73	A	0	34566-0103	34565-0003	N/A	334670204	Ag	18	TXL	LPD	1	36	343670005	14	TXL	LPD	3	1	3	1
NO	34330-9814	73	B	0	34566-0203	34565-0003	N/A	334670204	Ag	18	TXL	LPD	1	36	343670005	14	TXL	LPD	3	1	3	1
(H30) NO	34333-9214	80	H	0	34566-0803	34565-0003	34571-0301	334670205	Ag	18	PTFE	PGTL	1	40	N/A	N/A	N/A	N/A	N/A	N/A	3	0
NO	34333-9914	73	A	0	34566-0103	34565-0003	34571-0101	334670205	Ag	18	PTFE	PGTL	1	72	N/A	14	PTFE	PGTL	1	1	3	0
NO	34333-9814	73	B	0	34566-0203	34565-0003	34571-0101	334670205	Ag	18	PTFE	PGTL	1	72	N/A	14	PTFE	PGTL	1	1	3	0
NO	34333-9234	80	H	0	34566-0803	34565-0003	34570-0301	334670206	Ag	18	PTFE	PGTL	3	80	N/A	N/A	N/A	N/A	N/A	N/A	6	0
NO	34333-9934	73	A	0	34566-0103	34565-0003	34571-0101	334670206	Ag	18	PTFE	PGTL	3	72	343670006	14	PTFE	PGTL	3	1	6	0
NO	34333-9834	73	B	0	34566-0203	34565-0003	34571-0101	334670206	Ag	18	PTFE	PGTL	3	72	343670006	14	PTFE	PGTL	3	1	6	0
NO	34070-8734	66	A	0	34822-0013	34565-0003	34822-5011	334670203	Ag	18	TXL	PGTL	3	64	343670005	14	TXL	PGTL	3	2	3	0
NO	34070-8754	66	A	0	34822-0013	34565-0003	34822-5011	334670203	Ag	18	TXL	PGTL	5	64	343670007	14	TXL	PGTL	5	2	10	0
NO	34070-9434	73	F	0	34070-0603	34565-0003	34571-0101	334670203	Ag	18	TXL	PGTL	3	72	343670005	14	TXL	PGTL	3	1	6	0
NO	34070-9434	73	F	9	34070-1803	34565-0003	34571-0501	334670203	Ag	18	TXL	PGTL	3	72	343670005	14	TXL	PGTL	3	1	6	0
NO	34070-8534	66	C	0	34822-0033	34565-0003	34571-5011	334670203	Ag	18	TXL	PGTL	3	64	343670005	14	TXL	PGTL	3	2	3	0
NO	34070-8704	66	A	0	34822-0013	34822-0033	34822-5031	N/A	N/A	N/A	N/A	N/A	N/A	N/A	343670005	14	TXL	PGTL	3	2	N/A	N/A
NO	34070-8504	66	C	0	34822-0033	34822-0033	34822-5031	N/A	N/A	N/A	N/A	N/A	N/A	N/A	343670005	14	TXL	PGTL	3	2	N/A	N/A
NO	34330-8734	66	A	0	34822-0013 (QTY2)	34565-0003	N/A	334670208	Ag	18	TXL	LPD	3	64	343670008	14	TXL	LPD	3	2	3	N/A

PRODUCTION PART # FOR HARNESS ASSEMBLY (WITH WIRES) XXXXX-KKWP

XXXXX- SERIES NUMBER			
SERIES #	CKT SIZE	WIRE TYPE	WIRE DRESS
34070	73/80/66	TXL	PGTL
34330	73/80/66	TXL	LPD
34333	73/80/66	PTFE	PGTL

KK- HARNESS CONNECTOR KEY	
#	73/80 KEY
99	A
98	B
97	C
96	D
95	E
94	F
93	G
92	H
91	J
90	K
89	L
88	M
#	66 KEY
87	A
86	B
85	C

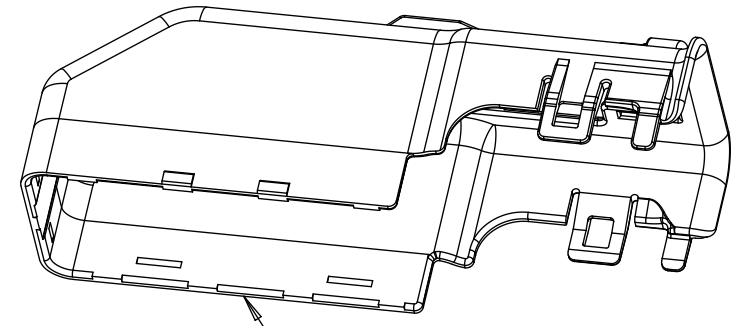
W- MX64 CRIMPED LEAD WIRE LENGTH (m)

P- MX64 RECPT. TERMINAL PLATING
3 - Au
4 - Ag

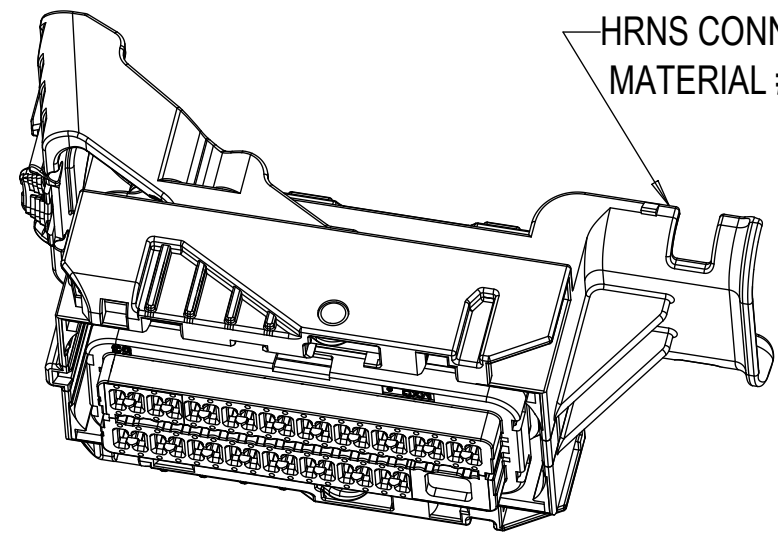
NOTES: UNLESS OTHERWISE SPECIFIED APPLIES TO "HRNS ASSY" ONLY
1. REFER TO: PACKAGING DRAWING # PK-31300-078
2. FOR HRNS ASSY WITH WIRE ASSY SEE NEXT PAGE

SYMBOLS	THIS DRAWING CONTAINS INFORMATION THAT IS PROPRIETARY TO MOLEX ELECTRONIC TECHNOLOGIES, LLC AND SHOULD NOT BE USED WITHOUT WRITTEN PERMISSION		CURRENT REV DESC:			
	DIMENSION UNITS: MM SCALE: GENERAL TOLERANCES (UNLESS SPECIFIED) ANGULAR TOL: ± ° 4 PLACES ± 3 PLACES ± 2 PLACES ± 1 PLACE ± 0 PLACES ± DRAFT WHERE APPLICABLE MUST REMAIN WITHIN DIMENSIONS	EC NO: 605052 DRWN: HKLIANG 2018/09/27 CHK'D: JDENG02 2018/10/10 APPR: JDENG02 2018/10/10 INITIAL REVISION: DRWN: TYE 2016/05/06 APPR: SKRAJENDRANA 2016/08/22	MX123 66/73/80CKT HRNS CONN ASSY PRODUCT CUSTOMER DRAWING			DOCUMENT NUMBER: SD-34566-001 DOC TYPE: PSD DOC PART: 000 REVISION: G63
DRAFT WHERE APPLICABLE MUST REMAIN WITHIN DIMENSIONS	THIRD ANGLE PROJECTION	DRAWING: D-SIZE	SERIES: 34566	MATERIAL NUMBER: SEE TABLE	CUSTOMER: GENERAL MARKET	SHEET NUMBER: 5 OF 8

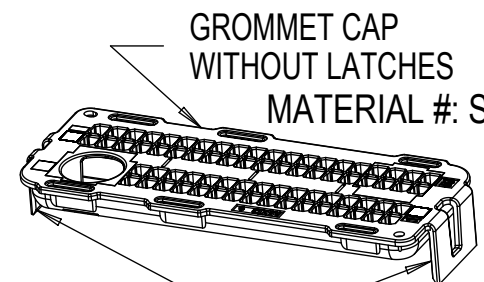
HRNS ASSY COMPONENT LIST



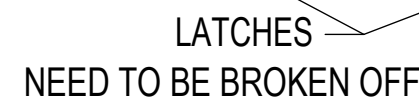
DRESS COVER
MATERIAL #: SEE HRNS ASSY TABLE



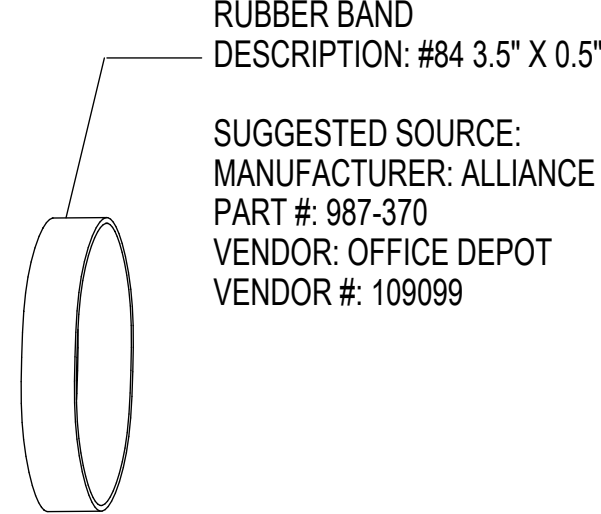
HRNS CONN. ASSY
MATERIAL #: SEE HRNS ASSY TABLE



GROMMET CAP WITHOUT LATCHES
MATERIAL #: SEE HRNS ASSY TABLE

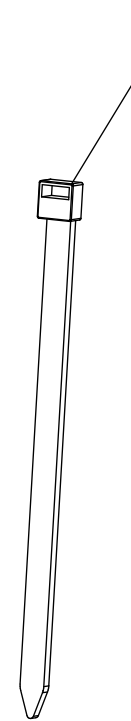


LATCHES
NEED TO BE BROKEN OFF



RUBBER BAND
DESCRIPTION: #84 3.5" X 0.5"

SUGGESTED SOURCE:
MANUFACTURER: ALLIANCE
PART #: 987-370
VENDOR: OFFICE DEPOT
VENDOR #: 109099



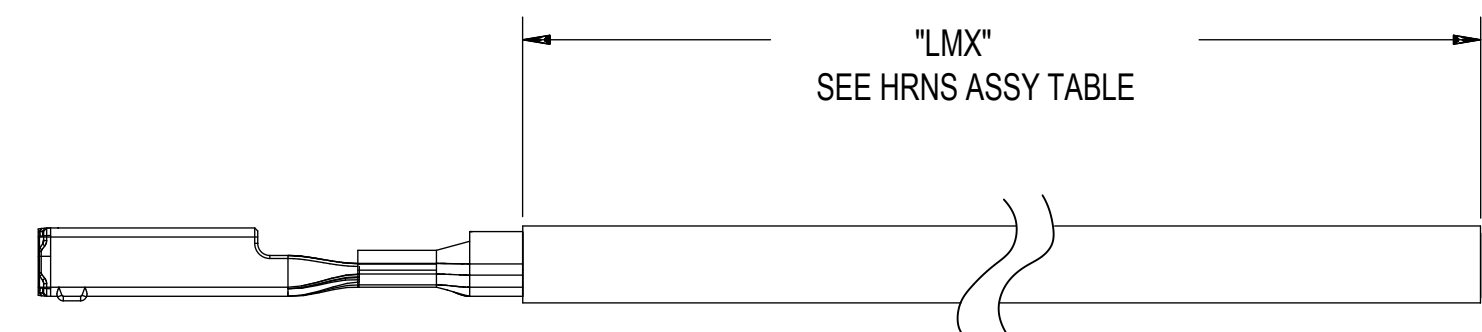
TY-RAP
DESCRIPTION: SIZE TY25 CABLE TIE

SUGGESTED SOURCE:
MANUFACTURER: THOMAS & BETTS
PART #: TY25M
VENDOR: CRESENT ELEC
VENDOR #: 104144

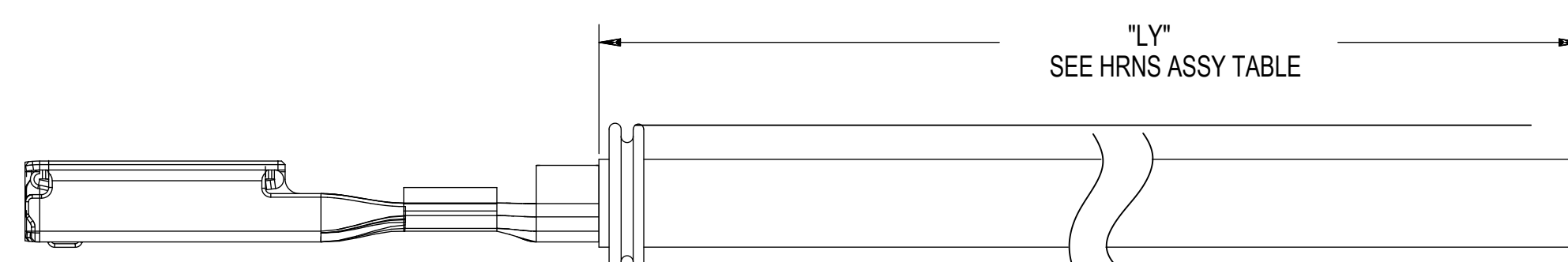
HRNS ASSY



MX64 WIRE ASSY LOOPED
MATERIAL #: SEE HRNS ASSY TABLE



MX64 WIRE ASSY PIGTAIL
MATERIAL #: SEE HRNS ASSY TABLE



2.8mm YESC SEALED FEMALE PIGTAIL ASSY
MATERIAL #: SEE HRNS ASSY TABLE

ISO WIRE HRNS ASSY TABLE

TESTED	HRNS ASSY				HRNS CONN ASSY MATERIAL #	DRESS COVER MATERIAL #	GROMMET CAP MATERIAL #	MX64 WIRE ASSY PER E-33468-001						2.8mm YESC SEALED FEMALE TERMINAL TIN					TY-RAP QTY	RUBBER BAND QTY		
	MATERIAL #	CIRCUIT ID	KEY OPTION	WIRE DRESS OPTION				MATERIAL #	MATERIAL #	MATERIAL #	MATERIAL #	RCPT PLATING	WIRE SIZE mm ²	WIRE TYPE	PIGTAIL OR LOOPED	"LMX" IN METERS 10%	QTY	MATERIAL #			WIRE SIZE # mm ²	WIRE TYPE
NO	2047789931	73	A	0	34566-0103	34565-0003	34571-0101	2047801003	Ag	0.35	ISO	PGTL	3	72	2047811003	2	ISO	PGTL	3	1	6	0
NO	2047789831	73	B	0	34566-0203	34565-0003	34571-0101	2047801003	Ag	0.35	ISO	PGTL	3	72	2047811003	2	ISO	PGTL	3	1	6	0
NO	2047789731	73	C	0	34566-0303	34565-0003	34571-0101	2047801003	Ag	0.35	ISO	PGTL	3	72	2047811003	2	ISO	PGTL	3	1	6	0
NO	2047789431	73	F	0	34566-0603	34565-0003	34571-0101	2047801003	Ag	0.35	ISO	PGTL	3	72	2047811003	2	ISO	PGTL	3	1	6	0
NO	2047789932	73	A	0	34566-0103	34565-0003	34571-0101	2047802003	Ag	0.50	ISO	PGTL	3	72	2047811003	2	ISO	PGTL	3	1	6	0
NO	2047789832	73	B	0	34566-0203	34565-0003	34571-0101	2047802003	Ag	0.50	ISO	PGTL	3	72	2047811003	2	ISO	PGTL	3	1	6	0
NO	2047789732	73	C	0	34566-0303	34565-0003	34571-0101	2047802003	Ag	0.50	ISO	PGTL	3	72	2047811003	2	ISO	PGTL	3	1	6	0
NO	2047789432	73	F	0	34566-0603	34565-0003	34571-0101	2047802003	Ag	0.50	ISO	PGTL	3	72	2047811003	2	ISO	PGTL	3	1	6	0
NO	2047789933	73	A	0	34566-0103	34565-0003	34571-0101	2047803003	Ag	0.75	ISO	PGTL	3	72	2047811003	2	ISO	PGTL	3	1	6	0
NO	2047789833	73	B	0	34566-0203	34565-0003	34571-0101	2047803003	Ag	0.75	ISO	PGTL	3	72	2047811003	2	ISO	PGTL	3	1	6	0
NO	2047789733	73	C	0	34566-0303	34565-0003	34571-0101	2047803003	Ag	0.75	ISO	PGTL	3	72	2047811003	2	ISO	PGTL	3	1	6	0
NO	2047789433	73	F	0	34566-0603	34565-0003	34571-0101	2047803003	Ag	0.75	ISO	PGTL	3	72	2047811003	2	ISO	PGTL	3	1	6	0
NO	2047799911	73	A	0	34566-0103	34565-0003	34571-0101	2047801101	Ag	0.35	ISO	LPD	1	72	2047811101	2	ISO	LPD	1	1	3	0
NO	2047799811	73	B	0	34566-0203	34565-0003	34571-0101	2047801101	Ag	0.35	ISO	LPD	1	72	2047811101	2	ISO	LPD	1	1	3	0
NO	2047799711	73	C	0	34566-0303	34565-0003	34571-0101	2047801101	Ag	0.35	ISO	LPD	1	72	2047811101	2	ISO	LPD	1	1	3	0
NO	2047799411	73	F	0	34566-0603	34565-0003	34571-0101	2047801101	Ag	0.35	ISO	LPD	1	72	2047811101	2	ISO	LPD	1	1	3	0
NO	2047799912	73	A	0	34566-0103	34565-0003	34571-0101	2047802101	Ag	0.50	ISO	LPD	1	72	2047811101	2	ISO	LPD	1	1	3	0
NO	2047799812	73	B	0	34566-0203	34565-0033	34571-0101	2047802101	Ag	0.50	ISO	LPD	1	72	2047811101	2	ISO	LPD	1	1	3	0
NO	2047799712	73	C	0	34566-0303	34565-0033	34571-0101	2047802101	Ag	0.50	ISO	LPD	1	72	2047811101	2	ISO	LPD	1	1	3	0
NO	2047799412	73	F	0	34566-0603	34565-0003	34571-0101	2047802101	Ag	0.50	ISO	LPD	1	72	2047811101	2	ISO	LPD	1	1	3	0
NO	2047799913	73	A	0	34566-0103	34565-0003	34571-0101	2047803101	Ag	0.75	ISO	LPD	1	72	2047811101	2	ISO	LPD	1	1	3	0
NO	2047799813	73	B	0	34566-0203	34565-0003	34571-0101	2047803101	Ag	0.75	ISO	LPD	1	72	2047811101	2	ISO	LPD	1	1	3	0
NO	2047799713	73	C	0	34566-0303	34565-0003	34571-0101	2047803101	Ag	0.75	ISO	LPD	1	72	2047811101	2	ISO	LPD	1	1	3	0
NO	2047799413	73	F	0	34566-0603	34565-0003	34571-0101	2047803101	Ag	0.75	ISO	LPD	1	72	2047811101	2	ISO	LPD	1	1	3	0
NO	2047789333	80	G	0	34566-0703	34565-0003	34571-0301	2047803003	Ag	0.75	ISO	PGTL	3	80	N/A	N/A	N/A	N/A	N/A	N/A	6	0
NO	2047789233	80	H	0	34566-0803	34565-0003	34571-0301	2047803003	Ag	0.75	ISO	PGTL	3	80	N/A	N/A	N/A	N/A	N/A	N/A	6	0

PRODUCTION PART # FOR HARNESS ASSEMBLY (WITH WIRES) XXXXX-KKLW

XXXXXX- SERIES NUMBER			
SERIES #	CKT SIZE	WIRE TYPE	WIRE DRESS
204778	80/73/66	ISO*	PGTL
204779	80/73/66	ISO*	LPD

KK- HARNESS CONNECTOR KEY	
#	73/80 KEY
99	A
98	B
97	C
96	D
95	E
94	F
93	G
92	H
91	J
90	K
89	L
88	M
#	66 KEY
87	A
86	B
85	C

L - MX64 CRIMPED LEAD WIRE LENGTH (m)
W - MX64 CRIMPED LEAD WIRE WIDTH (mm²)
1 - 0.35
2 - 0.50
3 - 0.75

NOTES: UNLESS OTHERWISE SPECIFIED APPLIES TO "HRNS ASSY" ONLY
1. REFER TO: PACKAGING DRAWING # PK-31300-078
2. FOR HRNS ASSY WITH WIRE ASSY SEE NEXT PAGE

SYMBOLS	THIS DRAWING CONTAINS INFORMATION THAT IS PROPRIETARY TO MOLEX ELECTRONIC TECHNOLOGIES, LLC AND SHOULD NOT BE USED WITHOUT WRITTEN PERMISSION		CURRENT REV DESC:	
	DIMENSION UNITS	SCALE		
▽ = 0	MM			<p>molex</p> <p>MX123 66/73/80CKT HRNS CONN ASSY</p> <p>PRODUCT CUSTOMER DRAWING</p> <p>DOCUMENT NUMBER: SD-34566-001 DOC TYPE: PSD DOC PART: 000 REVISION: G63</p> <p>MATERIAL NUMBER: SEE TABLE CUSTOMER: GENERAL MARKET SHEET NUMBER: 7 OF 8</p>
▽ = 0	GENERAL TOLERANCES (UNLESS SPECIFIED)		EC NO: 605052	
▽ = 0	ANGULAR TOL ± °		DRWN: HKLIANG 2018/09/27	
▽ = 0	4 PLACES ±		CHK'D: JDENG02 2018/10/10	
▽ = 0	3 PLACES ±		APPR: JDENG02 2018/10/10	
▽ = 0	2 PLACES ±		INITIAL REVISION:	
▽ = 0	1 PLACE ±		DRWN: TYE 2016/05/06	
▽ = 0	0 PLACES ±		APPR: SKRAJENDRANA 2016/08/22	
⊠ = 0	DRAFT WHERE APPLICABLE MUST REMAIN WITHIN DIMENSIONS		THIRD ANGLE PROJECTION	
▽ = 0	D-DRAWING		SERIES: 34566	

ISO WIRE HRNS ASSY TABLE

TESTED	HRNS ASSY				HRNS CONN ASSY	DRESS COVER	GROMMET CAP	MX64 WIRE ASSY PER E-33468-001						2.8mm YESC SEALED FEMALE TERMINAL TIN					TY-RAP	RUBBER BAND		
	MATERIAL #	CIRCUIT ID	KEY OPTION	WIRE DRESS OPTION	MATERIAL #	MATERIAL #	MATERIAL #	MATERIAL #	RCPT PLATING	WIRE SIZE # mm²	WIRE TYPE	PIGTAIL OR LOOPED	"LMX" IN METERS 10%	QTY	MATERIAL #	WIRE SIZE # mm²	WIRE TYPE	PIGTAIL OR LOOPED	"LMX" IN METERS 10%	QTY	QTY	QTY
NO	2047789331	80	G	0	34566-0703	34565-0003	34571-0301	2047801003	Ag	0.35	ISO	PGTL	3	80	2047811003	2	ISO	PGTL	3	N/A	6	0
NO	2047789231	80	H	0	34566-0803	34565-0003	34571-0301	2047801003	Ag	0.35	ISO	PGTL	3	80	2047811003	2	ISO	PGTL	3	N/A	6	0
NO	2047789332	80	G	0	34566-0703	34565-0003	34571-0301	2047802003	Ag	0.50	ISO	PGTL	3	80	2047811003	2	ISO	PGTL	3	N/A	6	0
NO	2047789232	80	H	0	34566-0803	34565-0003	34571-0301	2047802003	Ag	0.50	ISO	PGTL	3	80	2047811003	2	ISO	PGTL	3	N/A	6	0
NO	2047789333	80	G	0	34566-0703	34565-0003	34571-0301	2047803003	Ag	0.75	ISO	PGTL	3	80	2047811003	2	ISO	PGTL	3	N/A	6	0
NO	2047789233	80	H	0	34566-0803	34565-0003	34571-0301	2047803003	Ag	0.75	ISO	PGTL	3	80	2047811003	2	ISO	PGTL	3	N/A	6	0
NO	2047799311	80	G	0	34566-0703	34565-0003	N/A	2047801101	Ag	0.35	ISO	LPD	1	80	2047811101	2	ISO	LPD	1	N/A	3	0
NO	2047799211	80	H	0	34566-0803	34565-0003	N/A	2047801101	Ag	0.35	ISO	LPD	1	80	2047811101	2	ISO	LPD	1	N/A	3	0
NO	2047799312	80	G	0	34566-0703	34565-0003	N/A	2047802101	Ag	0.50	ISO	LPD	1	80	2047811101	2	ISO	LPD	1	N/A	3	0
NO	2047799212	80	H	0	34566-0803	34565-0003	N/A	2047802101	Ag	0.50	ISO	LPD	1	80	2047811101	2	ISO	LPD	1	N/A	3	0
NO	2047799313	80	G	0	34566-0703	34565-0003	N/A	2047803101	Ag	0.75	ISO	LPD	1	80	2047811101	2	ISO	LPD	1	N/A	3	0
NO	2047799213	80	H	0	34566-0803	34565-0003	N/A	2047803101	Ag	0.75	ISO	LPD	1	80	2047811101	2	ISO	LPD	1	N/A	3	0
NO	2047789931	66	A	0	34822-0013	34565-0003	34822-5011	2047801003	Ag	0.35	ISO	PGTL	3	64	2047811003	2	ISO	PGTL	3	2	6	0
NO	2047789731	66	C	0	34822-0033	34565-0003	34822-5011	2047801003	Ag	0.35	ISO	PGTL	3	64	2047811003	2	ISO	PGTL	3	2	6	0
NO	2047789932	66	A	0	34822-0013	34565-0003	34822-5011	2047802003	Ag	0.50	ISO	PGTL	3	64	2047811003	2	ISO	PGTL	3	2	6	0
NO	2047789732	66	C	0	34822-0033	34565-0003	34822-5011	2047802003	Ag	0.50	ISO	PGTL	3	64	2047811003	2	ISO	PGTL	3	2	6	0
NO	2047789933	66	A	0	34822-0013	34565-0003	34822-5011	2047803003	Ag	0.75	ISO	PGTL	3	64	2047811003	2	ISO	PGTL	3	2	6	0
NO	2047789733	66	C	0	34822-0033	34565-0003	34822-5011	2047803003	Ag	0.75	ISO	PGTL	3	64	2047811003	2	ISO	PGTL	3	2	6	0
NO	2047799911	66	A	0	34822-0013	34565-0003	N/A	2047801101	Ag	0.35	ISO	LPD	1	64	2047811101	2	ISO	LPD	1	2	3	0
NO	2047799711	66	C	0	34822-0033	34565-0003	N/A	2047801101	Ag	0.35	ISO	LPD	1	64	2047811101	2	ISO	LPD	1	2	3	0
NO	2047799912	66	A	0	34822-0013	34565-0003	N/A	2047802101	Ag	0.50	ISO	LPD	1	64	2047811101	2	ISO	LPD	1	2	3	0
NO	2047799712	66	C	0	34822-0033	34565-0003	N/A	2047802101	Ag	0.50	ISO	LPD	1	64	2047811101	2	ISO	LPD	1	2	3	0
NO	2047799913	66	A	0	34822-0013	34565-0003	N/A	2047803101	Ag	0.75	ISO	LPD	1	64	2047811101	2	ISO	LPD	1	2	3	0
NO	2047799713	66	C	0	34822-0033	34565-0003	N/A	2047803101	Ag	0.75	ISO	LPD	1	64	2047811101	2	ISO	LPD	1	2	3	0

SYMBOLS	THIS DRAWING CONTAINS INFORMATION THAT IS PROPRIETARY TO MOLEX ELECTRONIC TECHNOLOGIES, LLC AND SHOULD NOT BE USED WITHOUT WRITTEN PERMISSION		
▽ = 0	DIMENSION UNITS	SCALE	CURRENT REV DESC:
▽ = 0	MM		
▽ = 0	GENERAL TOLERANCES (UNLESS SPECIFIED)		EC NO: 605052 DRWN: HKLIANG 2018/09/27 CHK'D: JDENG02 2018/10/10 APPR: JDENG02 2018/10/10 INITIAL REVISION: DRWN: TYE 2016/05/06 APPR: SKRAJENDRANA 2016/08/22
▽ = 0	ANGULAR TOL	± °	
▽ = 0	4 PLACES	±	
▽ = 0	3 PLACES	±	
▽ = 0	2 PLACES	±	
▽ = 0	1 PLACE	±	
▽ = 0	0 PLACES	±	
■ = 0	DRAFT WHERE APPLICABLE MUST REMAIN WITHIN DIMENSIONS		THIRD ANGLE PROJECTION
▽ = 0			DRAWING D-SIZE SERIES 34566
		DOCUMENT NUMBER	MATERIAL NUMBER CUSTOMER
		PSD 000	SD-34566-001 GENERAL MARKET
		REVISION	SHEET NUMBER 8 OF 8