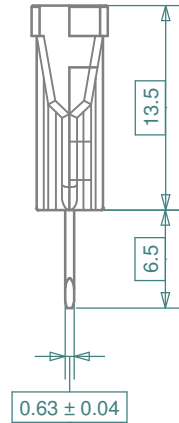
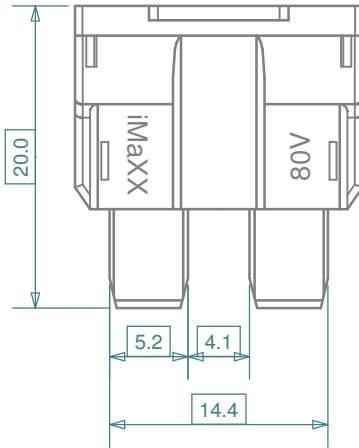




Note: Current rating printed in white OCR font on top of fuse.



Rating [A]	Color	Volt [V]	iMaXX Reference
1	Black	80	F1801
2	Grey	80	F1802
3	Violet	80	F1803
4	Pink	80	F1804
5	Tan	80	F1805
7.5	Brown	80	F1875
10	Red	80	F1810
15	Blue	80	F1815
20	Yellow	80	F1820
25	Natural	80	F1825
30	Green	80	F1830
40	Orange	80	F1840

Fusing gates [s]		
Load [%]	Minimum [s]	Maximum [s]
110 %	360,000	-
135 %	0.75	1,800
200 %	0.15	5
350 %	0.04	0.5
600 %	0.02	0.1

NOTES:

- Housing material: PA66 GF25
- Blade material: Cu, Sn plating
- Application specific EU developed melting wire
- Suitable for use in low voltage applications max 80V
- Breaking capacity 1000A at 80VDC

Revisions			Date	Appr.
a	04/17	updated to new housing style	04/17	BE
			04/17	AdH

Scale	2 : 1	Title	F1800 series, 80V normOTO blade fuse
Projection		Drawing type	schematic
		Drawing number	F1800 style 2 drawing 1
		Sheet	1 of 1
		Layers / Sheet	0 1 2 6 9



Tolerance
± 0.2 mm unless
otherwise noted

Sheet 01