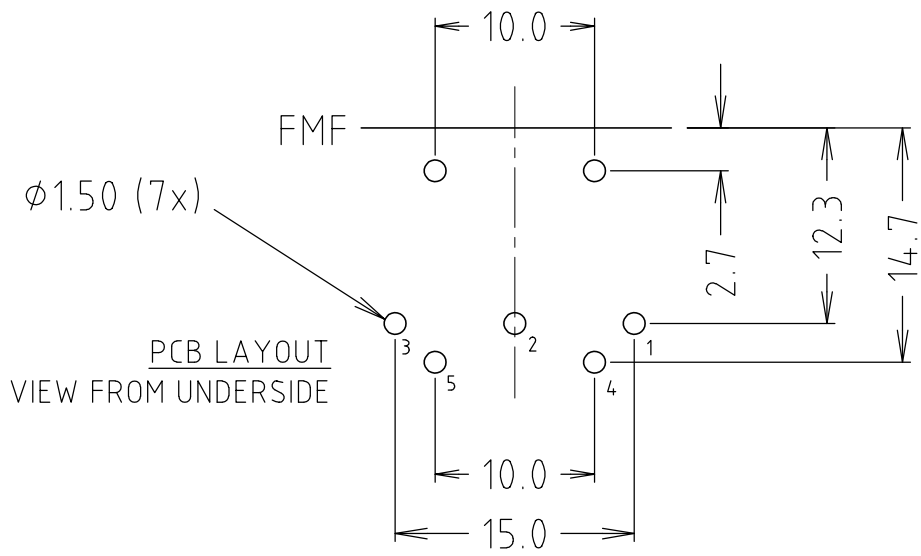
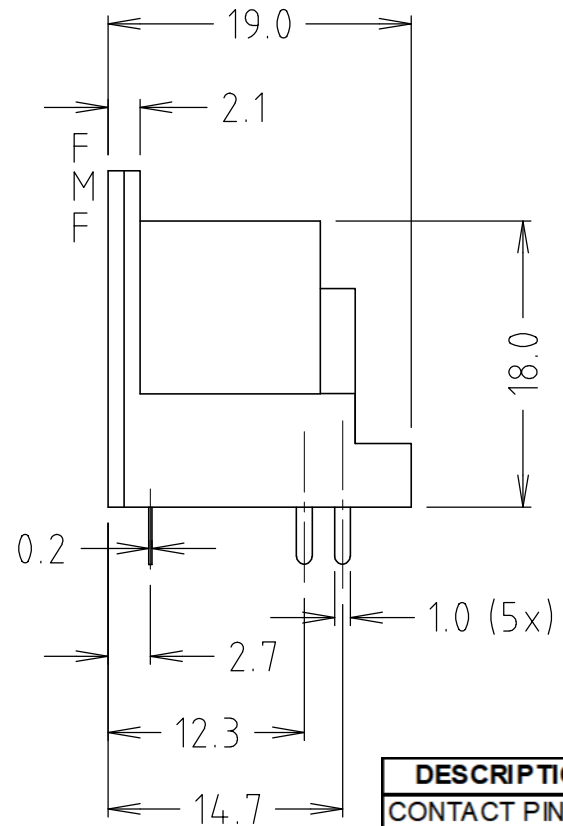
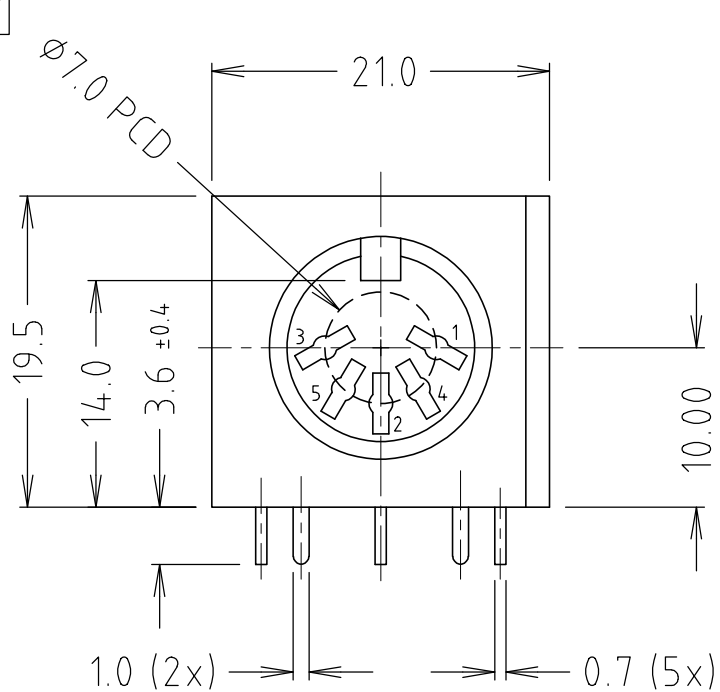


ISS.	AMEND	DATE
1	ISSUED	18/06/09
2	MATERIAL TABLE ADD	20/07/12
3	UPDATE NEW TOOLING	16/04/20



DESCRIPTION	MATERIAL	FINISH	QTY
CONTACT PIN	BRASS	SILVER PLATE	5
EARTH TERMINAL	PHOSPHOR BRONZE	SILVER PLATE	1
REAR COVER	PBT 4815 (UL94 V-0)	BLACK	1
HOUSING	PBT 4815 (UL94 V-0)	BLACK	1

- SPECIFICATION**
- CURRENT RATING: 100V AC 1A max
12V DC 2A max
 - CONTACT RESISTANCE (INITIAL): 30mΩ max @AC100mA(max) 1KHz
 - INSULATION RESISTANCE (INITIAL): 50MΩ (MIN) @250V DC
 - WITHSTAND VOLTAGE: 250V AC 60Hz FOR 1 MINUTE
 - INSERTION FORCE (INITIAL): 4.5Kg max
 - WITHDRAWAL FORCE: 0.5-3.0Kg
 - LIFE TEST: 1000 CYCLES MIN. AFTER TESTING CONTACT RESISTANCE SHALL NOT EXCEED 100mΩ
 - OPERATING TEMPERATURE -40°C TO +85°C

RoHS
COMPLIANT

TOLERANCE

NO DEC. PLACE ±
1 DEC. PLACE ±
2 DEC. PLACE ±
HOLE Ø ±
ANGLES ±
UNLESS OTHERWISE STATED

DO NOT SCALE

Cliff Electronic Components Ltd.
76 Holmehorpe Avenue, Holmehorpe Industrial Estate,
Redhill, Surrey, RH1 2PF, England, UK
Tel: 01737-771375 Fax: 01737-766012 Website: www.cliffuk.co.uk

THE CONTENTS OF THIS DOCUMENT MUST NOT BE COPIED OR DISCLOSED TO A 3rd PARTY WITHOUT WRITTEN PERMISSION OF CLIFF UK. © 2009

DIMENSIONS IN MILLIMETERS UNLESS OTHERWISE STATED. WORK TO DIMENSIONS. REMOVE ALL BURRS. IF IN DOUBT ASK.

MATERIAL: SEE TABLE
FINISH: SEE TABLE
DRAWN: C.A.M.J.

3rd ANGLE PROJECTION:

TITLE: 5 PIN DIN SOCKET 180°

DRWG. No. **FC680805** FORM: A4DRWGH

APPROVED: R.W.T.