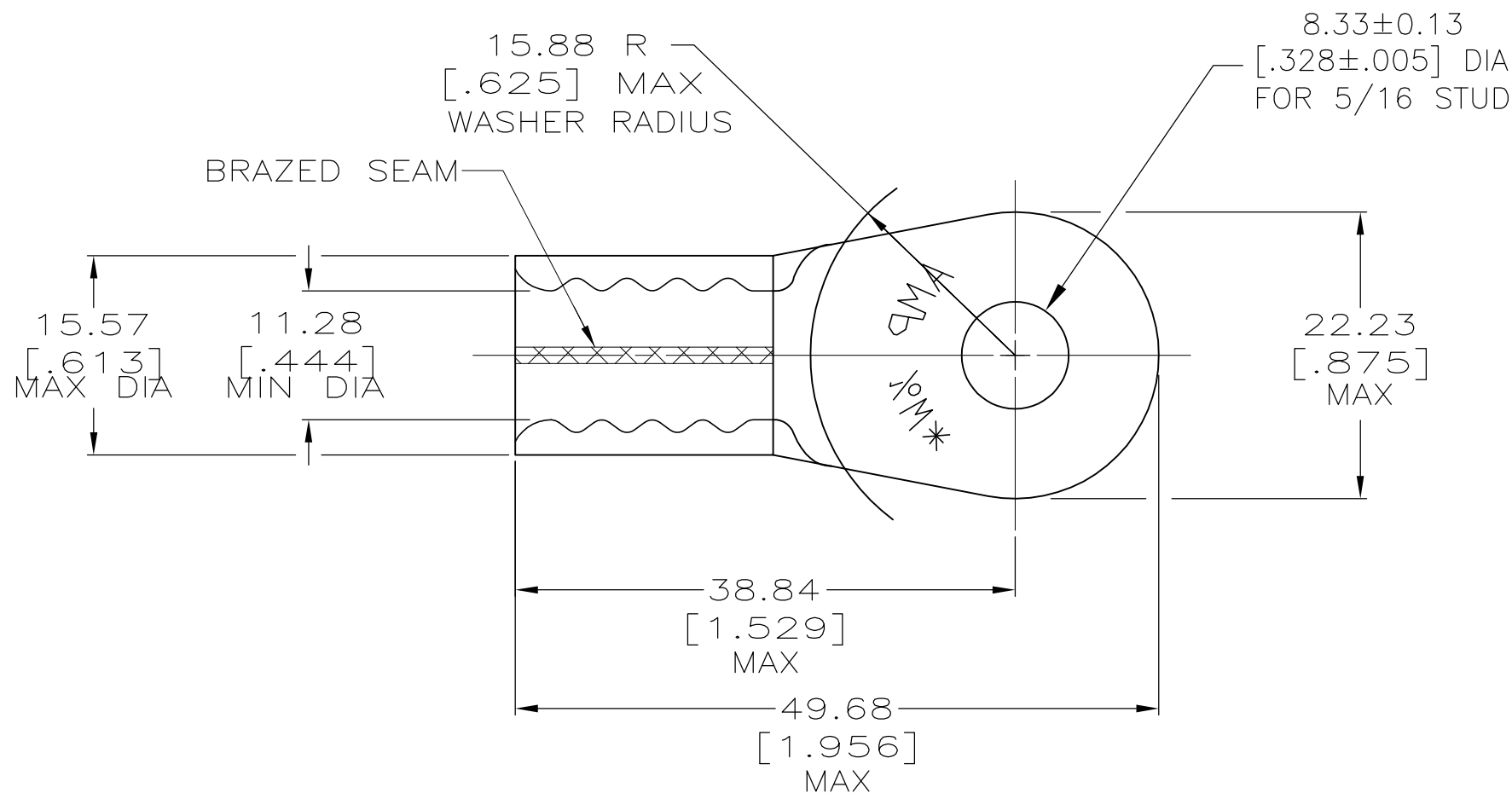


THIS DRAWING IS UNPUBLISHED. RELEASED FOR PUBLICATION  
 © COPYRIGHT BY TYCO ELECTRONICS CORPORATION. ALL INTERNATIONAL RIGHTS RESERVED.

LOC	DIST	REVISIONS					
G	14	P	LTR	DESCRIPTION	DATE	DWN	APVD
		J2		REV PER ECR 09-017201	30JUL09	JR	TM

<b>AMP</b> WIRE RANGE	E13288 Listed	LR7189 Certified
1/0 AWG SOLID OR STRANDED	1/0 AWG SOLID OR STRANDED	1/0 AWG SOLID OR STRANDED



1 TIN PL 0.00254[.000100] MIN THK PER ASTM B-545

25	SMALL	1	COPPER ASTM B-152 1.78 ±0.08 [.070 ±.003] ANNEALED	8-36916-3
50	STANDARD			36916
QTY	PACKAGE TYPE	FINISH	MATERIAL	PART NO.

MAX RECOMMENDED OPERATING TEMPERATURE: 170°C MAX	THIS DRAWING IS A CONTROLLED DOCUMENT.		DWN DK SCHRUM 7/2/91	Tyco Electronics Corporation Harrisburg, PA 17105-3608	
	VOLTAGE RATING: N/A	DIMENSIONS: MM [ INCHES ]	TOLERANCES UNLESS OTHERWISE SPECIFIED:		
CIRCULAR MIL AREA: 42.4-60.6mm² [83,700-119,500] SOLID OR STRANDED		0 PLC ± -	APVD AJ KAUFMAN 8/16/91	NAME TERMINAL, RING TONGUE, SOLISTRAND, WIRE SIZE: 50.0mm² [1/0] AWG	
		1 PLC ± -	PRODUCT SPEC	SIZE	CAGE CODE
		2 PLC ± 0.20[.008]	APPLICATION SPEC	DRAWING NO	RESTRICTED TO
		3 PLC ± -	WEIGHT	A300779	C-36916
		4 PLC ± -	CUSTOMER DRAWING	SCALE	SHEET
		ANGLES ± -		2:1	1 OF 1
	MATERIAL SEE TABLE	FINISH SEE TABLE		REV	J2