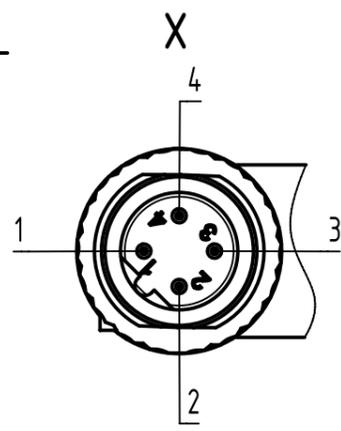


M12 B-coded 4-poles, male angled shielded connector

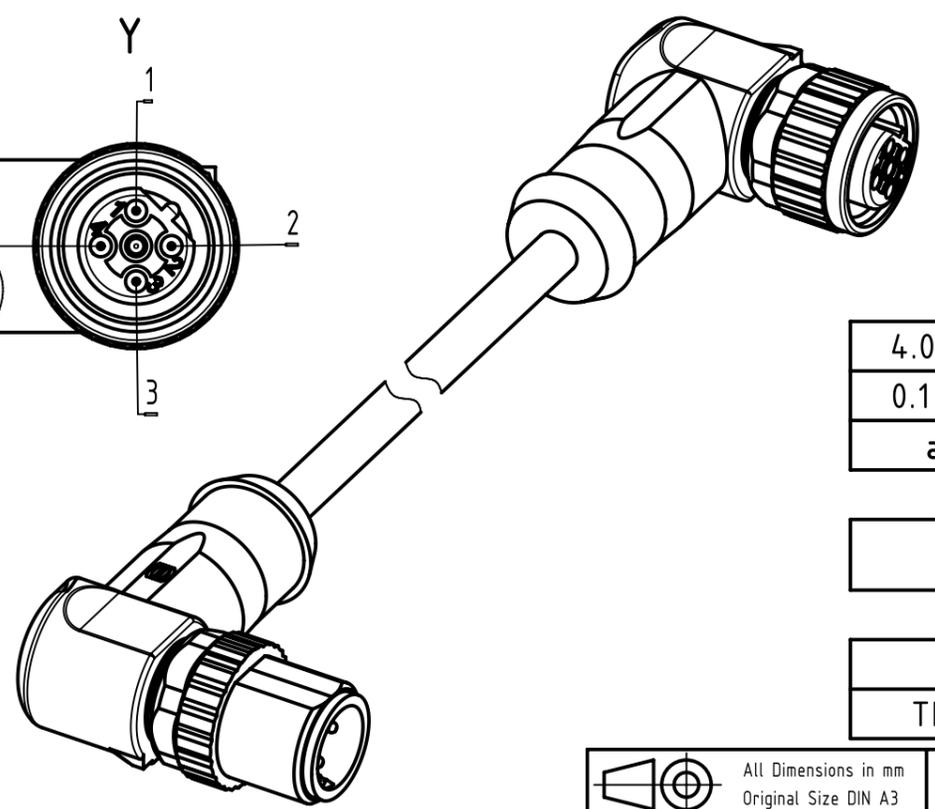
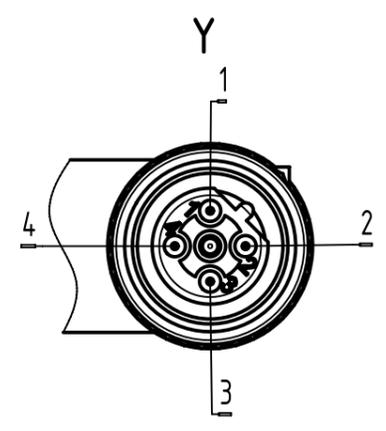
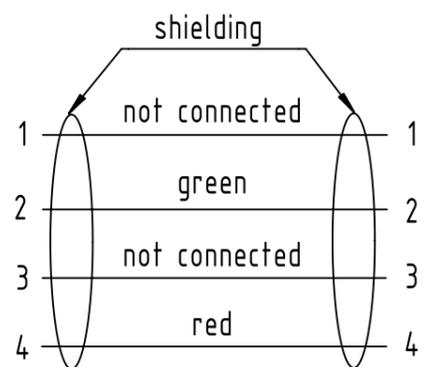
M12 B-coded 4-poles, female angled shielded connector

X ↑

Y ↑



Loading-Plan:



- Protection level: IP67
- Temperature range: -30°C ... +80°C

length in "1m" step	40	XXX=400
	39	XXX=390
	.	.
	12	XXX=120
	11	XXX=110
length in "0.1m" step	10	XXX=100
	9.9	XXX=099
	9.8	XXX=098
	.	.
	0.4	XXX=004
	0.3	XXX=003
	0.2	XXX=002
0.1	XXX=001	
Step	a [m]	XXX

4.0 to 40	+1%
0.1 to 3.9	+0.04
a [m]	Tolerance

Part no. 213490914,XXXXXX

Type of cable XX
TPE violet, 2xAWG24 XX=87

All rights reserved Department EC PD - RO HARTING Electronics GmbH D-32339 Espelkamp		All Dimensions in mm Original Size DIN A3 Scale 2:1 Free size tol.	Created by TOMUTA Inspected by AVRAM Standardisation KOHLER Date 2014-07-16 State Final Release	Ref. Sub. Doc-Key / ECM-Nr. 100580614/UGD/009/A 50000077557 Rev. A Page 1/1
Title M12 B-coded Cable Assembly Type TB Number 213490914XXXXX				