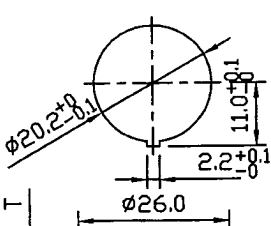
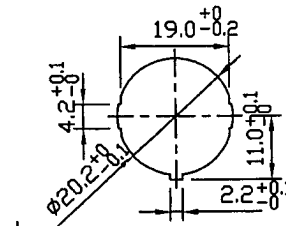
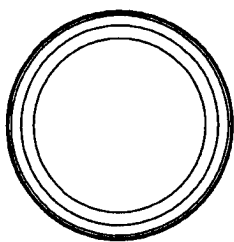
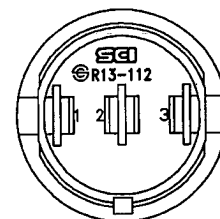
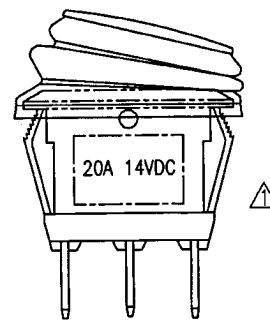
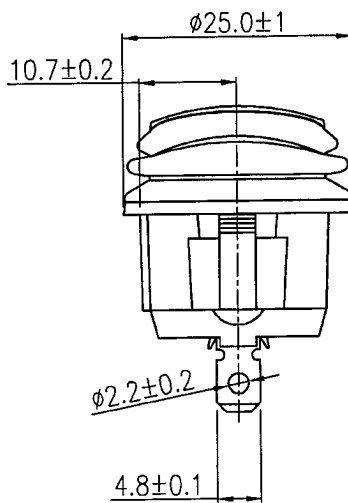
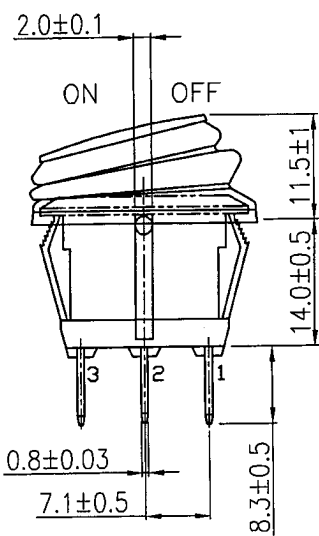
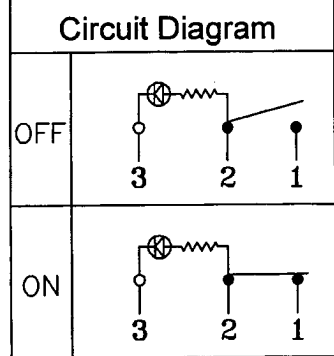


Rating	20A 14VDC	Mounting Hole	
Contact Resistance	50m ohm Max.		
Insulation Resistance	DC 500V 100M ohm Min.	Thickness: 1.5~2.5	
Dielectric Strength	AC 1500V 1 minute	Thickness: 0.7~2.5	
Operation Temperature	-25°C ~ 85°C		
Switch Function	3P SPST ON-OFF (LED dependent)		



Material:  
 Frame: Black, Nylon 66  
 Actuator: Red, PC  
 Printed: None  
 Waterproof: IP65



Tolerances ±0.3 Unless Otherwise Specified

9/29/15	周傑輝	依實物增加SCI刻字和更新Rating			△		
Date	Name	Description			No.		
Drawn	Checked	Approved	SCI BOM No.	1823391	Model Name	ROCKER SWITCH	
周傑輝			Customer No.		Model No.	R13-112B8-02	
9/29/15	9/29/15	9/30/15	Unit	mm	Shin Chin Industrial Co., Ltd.		
						Rev.	1