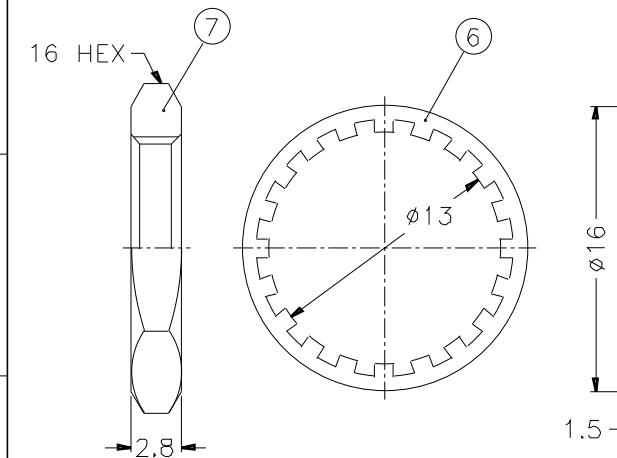


REVISIONS		
ISS	ZONE	DESCRIPTION\PER REQUEST\DATE



- NOTES: FINISH (PLATING THICKNESS IN MICRO-INCHES)
1. BRASS PER QQ-B-626
  2. BRASS PER QQ-B-613
  3. NICKEL PL. 100 MIN. THICK OVER COPPER STRIKE
  4. PHOSPHOR BRONZE PER QQ-B-750
  5. GOLD PL. 3 MIN. THICK OVER NICKEL PL. 100 MIN. THICK OVER COPPER STRIKE
  6. TEFLON MIL-P-19468
  7. JIS H 3250, C 2700

10	FERRULE	NOTE 7	NOTE 3	1	FR-75/66X127
9	INSULATOR	DELTRIN	NATURAL	1	B50000-11-36/1
8	CONTACT PIN	NOTE 4	NOTE 5	1	B74000-8-25/076
7	HEX NUT	NOTE 1	NOTE 3	1	HN16-1/2-28X28
6	LOCK WASHER	NOTE 2	NOTE 3	1	LW-16/13X05
5	GASKET	RUBBER	RED	1	GS-16/122X15
4	BARREL	NOTE 1	NOTE 3	1	B74000-4-56/39
3	INSULATOR	NOTE 6	NATURAL	1	B74000-3T-75
2	BODY	NOTE 1	NOTE 3	1	B74000-2
1	HOUSING	NOTE 1	NOTE 3	1	B74000-1
NO.	DESCRIPTION	MATERIAL	FINISH	Q'TY	DRAWING NO.

DIMENSIONS ARE IN MILLIMETERS		PART NO.	B6421A1-NT3G-3-75
UNLESS OTHERWISE SPECIFIED TOLERANCES		APPROVED	DATE 10-11-01'
0.5-6 = ±0.2		CHECKED	DATE 10-11-01'
6-30 = ±0.4		DRAWN	DATE 10-11-01'
30-120 = ±0.6		FILE NO.	
120-315 = ±1			
315-1000 = ±1.6			
1000-2000 = ±2.4			

<b>Amphenol</b>	
TITLE BNC BULKHEAD CRIMP JACK	
DRAWING NO. KJ-B6421A1-NT3G-62AU-75	
ITEM NO.	

1 2 3 4 5 6 7 8