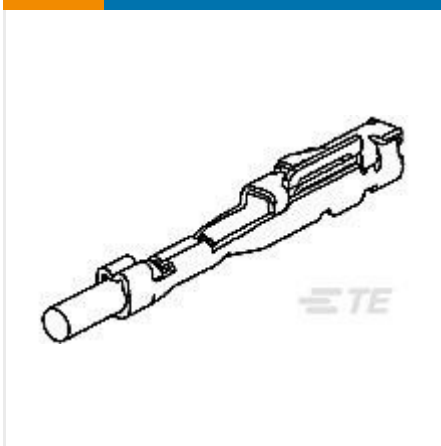




+ TERMINALS & SPLICES

AUTOMOTIVE, TRUCK, BUS, & OFF-ROAD TERMINALS



✓ Active

TE CONNECTIVITY (TE)

025 REC CONTACT

AMP | TH/.025 Connector System

1123343-1

TE Internal Number: 1123343-1

EU RoHS Compliant

EU ELV Compliant

Terminal Style Receptacle

Mating Tab Width .64 mm [.025 in]

Mating Tab Thickness .64 mm [.024 in]

Terminal Transmits 0 – 24 A (Low Power)

Sealed No

↓ **PRODUCT DRAWING**
Japanese

↓ **3D PDF**

DOCUMENTATION

Product Drawings

025 RECEPTACLE CONTACT

PDF

Japanese

CAD Files

Customer View Model

2D_DXF.ZIP

English

3D PDF

PDF

3D

Customer View Model

3D_IGS.ZIP

English

Customer View Model

3D_STP.ZIP

English

Product Specifications

Product Specification

025 SERIES I/O CONNECTORS (H-Type V-Type 2Row, Wire To Wire)

PDF

Japanese

025 SERIES I/O CONNECTORS (H-Type V-Type 2Row, Wire To Wire)

PDF

Japanese

025 G W-W CONNECTOR

TIF

Japanese

025 G W-W CONNECTOR

PDF

Japanese

025/040 I/O Connector

PDF

Japanese

025/040 I/O Connector

TIF

Japanese

025/040 I/O Connector

TIF

Japanese

025/040 I/O Connector

PDF

Japanese

025 SERIES I/O CONNECTOR (SMD-TYPE)

PDF

Japanese

025 SERIES I/O CONNECTOR (SMD-TYPE)

TIF

Japanese

025 SERIES I/O CONNECTOR (SMD-TYPE)

PDF

Japanese

025 SERIES I/O CONNECTOR (SMD-TYPE)

TIF

Japanese

025 SERIES I/O CONNECTORS (SMD-Type)

PDF

Japanese

025 SERIES I/O CONNECTORS (SMD-Type)

TIF

Japanese

025 SERIES I/O CONNECTORS (SMD-Type)

PDF

Japanese

025 SERIES I/O CONNECTORS (SMD-Type)

TIF

Japanese

025 SERIES I/O CONNECTORS (SMD-Type)

PDF

Japanese

025 SERIES I/O CONNECTORS (SMD-Type)

TIF

Japanese

025/090II I/O CONNECTOR

TIF

Japanese

025/090II I/O CONNECTOR

PDF

Japanese

025/090II I/O CONNECTOR

TIF

Japanese

025/090II I/O CONNECTOR

PDF

Japanese

025(0.64)/375(9.5) HYBRID Connector

TIF

Japanese

025(0.64)/375(9.5) HYBRID Connector

PDF

Japanese

025(0.64)/375(9.5) HYBRID Connector

PDF

Japanese

.025 LIGHT SENSOR CONNECTOR

TIF

Japanese

.025 LIGHT SENSOR CONNECTOR

PDF

Japanese

0.64 LIGHT SENSOR CONNECTOR

TIF

Japanese

0.64 LIGHT SENSOR CONNECTOR

PDF

Japanese

025 Series Connector 1Row

PDF

English

025 Series Connector 4Pos.

PDF

Japanese

025 G W-W CONNECTOR

TIF

Japanese

025 G W-W CONNECTOR

PDF

Japanese

025 Series Connector 1Row

PDF

English

025 Series Connector 4Pos.

PDF

Japanese

025/090II WIRE TO WIRE PANEL CONNECTOR

PDF

Japanese

025/090II WIRE TO WIRE PANEL CONNECTOR

TIF

Japanese

025/090II WIRE TO WIRE PANEL CONNECTOR

PDF

Japanese

025/090II WIRE TO WIRE PANEL CONNECTOR

TIF

Japanese

Application Specification

Crimping .040III Unsealed Contact, Receptacle

PDF

Japanese

Crimping .040III Unsealed Contact, Receptacle

TIF

Japanese

Crimping Of 025 Receptacle Contact

TIF

Japanese

Crimping Of 025 Receptacle Contact

PDF

Japanese

Crimping Of 025 Receptacle Contact

TIF

Japanese

Crimping Of 025 Receptacle Contact

PDF

Japanese

TH.025 Contacts System

PDF

English

Qualification Test Report

025-090II I/O CONNECTOR

PDF

Japanese

025-090II I/O CONNECTOR

TIF

Japanese

025G CONNECTOR WIRE-TO-WIRE TERMINATION

PDF

Japanese

025G CONNECTOR WIRE-TO-WIRE TERMINATION

TIF

Japanese

025 Series Connector 1Row

PDF

Japanese

025/040 I/O CONNECTOR

PDF

Japanese

025/040 I/O CONNECTOR

TIF

Japanese

025 SERIES CONNECTOR (H-Type, V-Type, Wire To Wire)

PDF

Japanese

025(0.64)/375(9.5) HYBRID CONNECTOR

PDF

Japanese

025(0.64)/375(9.5) HYBRID CONNECTOR

TIF

Japanese

Product Environmental Compliance

TE Material Declaration

MD_1123343-1_1230201531_dmtec

PDF

English

Instruction Sheets

Instruction Sheet (non U.S.)

025 SERIES I/O CONNECTORS (H-Type, V-Type 2Row)

PDF

Japanese

025 SERIES I/O CONNECTORS (H-Type, V-Type 2Row)

PDF

Japanese

025/040 I/O Connector

PDF

Japanese

025/040 I/O Connector

TIF

Japanese

025/040 I/O Connector

PDF

Japanese

025/040 I/O Connector

TIF

Japanese

025/090II I/O Connector

TIF

Japanese

025/090II I/O Connector

PDF

Japanese

.025 SERIES I/O CONNECTORS (H-Type 1Row 8Position)

TIF

Japanese

.025 SERIES I/O CONNECTORS (H-Type 1Row 8Position)

PDF

Japanese

.025 LIGHT SENSOR CONNECTOR

TIF

Japanese

.025 LIGHT SENSOR CONNECTOR

PDF

Japanese

.025 SERIES I/O CONNECTORS (H-Type 1Row 8Position)

TIF

Japanese

.025 SERIES I/O CONNECTORS (H-Type 1Row 8Position)

PDF

Japanese

025/040 IMMOBILIZER CONNECTOR

TIF

Japanese

025/040 IMMOBILIZER CONNECTOR

PDF

English

025/040 IMMOBILIZER CONNECTOR

TIF

Japanese

025/040 IMMOBILIZER CONNECTOR

PDF

English

025 SERIES CONNECTOR 4P

PDF

Japanese

025 G Wire To Wire Connector

TIF

Japanese

025 G Wire To Wire Connector

PDF

Japanese

025 G Wire To Wire Connector

TIF

Japanese

025 G Wire To Wire Connector

PDF

Japanese

025 Wire To Wire Connector

PDF

Japanese

025 Wire To Wire Connector

TIF

Japanese

025 Wire To Wire Connector

PDF

Japanese

025 Wire To Wire Connector

TIF

Japanese

025(0.64)/187(4.8) I/O CONNECTOR

TIF

Japanese

025(0.64)/187(4.8) I/O CONNECTOR

PDF

Japanese

025(0.64)/187(4.8) I/O CONNECTOR

TIF

Japanese

025(0.64)/187(4.8) I/O CONNECTOR

PDF

Japanese

025(0.64)/375(9.5) HYBRID Connector

PDF

English

025(0.64)/375(9.5) HYBRID Connector

TIF

English

025(0.64)/375(9.5) HYBRID Connector

PDF

English

025(0.64)/375(9.5) HYBRID Connector

TIF

English

025/090II I/O Connector

TIF

Japanese

025/090II I/O Connector

PDF

Japanese

.025 LIGHT SENSOR CONNECTOR

TIF

Japanese

.025 LIGHT SENSOR CONNECTOR

PDF

Japanese

FEATURES



Please review product documents or [contact us](#) for the latest agency approval information.

Please Note: Use the Product Drawing for all design activity.

Product Type Features

Sealed No

Primary Locking Feature Locking Lance

Wire Type Copper

Receptacle Style 180°

Contact Features

Terminal Style Receptacle

Mating Tab Width .64 mm [.025 in]

Mating Tab Thickness .64 mm [.024 in]

Interface Plating Tin (Sn)

Contact Termination Area Plating Material Tin (Sn)

Typical Current Rating (A) 4

Termination Features

Termination Method Crimp

Crimp Type F-Crimp

Dimensions

Wire Size Search (mm²) .22, .25, .3, .35, .38, .4, .5

Wire Insulation Diameter .95 – 1.72 mm [.037 – .067 in]

Wire Size (mm²) .22 – .5

Usage Conditions

Operating Temperature (Max) (°C) 80, 85, 90, 100, 105, 110, 120

Operating Temperature (Max) (°F) 176, 185, 194, 212, 221, 230, 248

Operating Temperature Range -40 – 120 °C [-40 – 248 °F]

Packaging Features

Packaging Quantity 10000

Packaging Method Reel

Other

Terminal Transmits 0 – 24 A (Low Power)

Statement of Compliance

Statement of Compliance

PDF
