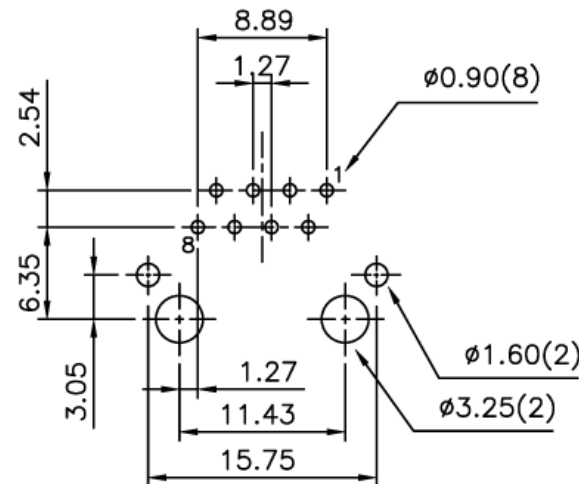
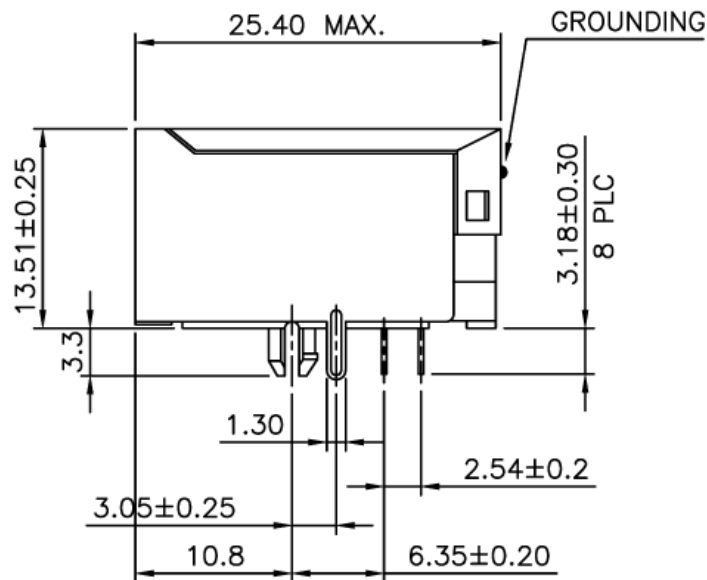
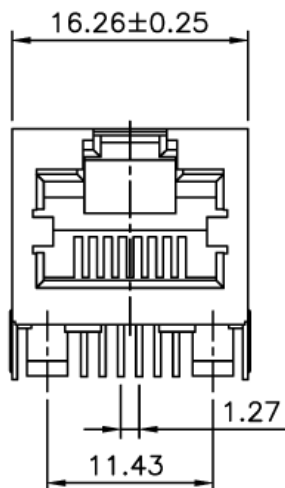


MATERIAL:

- HOUSING—PBT POLYESTER UL94V-0
MIXED GLASS FIBER.
STANDARD COLOR—BLACK.
- CONTACTS—0.35mm THICK PHOS—BRONZE PLATED
WITH HARD GOLD AND TIN/LEAD IN
SOLDER AREA.
- SHIELD—0.20mm THICK COPPER ALLOY,
PLATED WITH NICKEL.

CAVITY CONFIRMS TO FCC RULES AND REGULATIONS
PART 68,SUBPART F.



PCB LAYOUT
Ref.



TOLERANCE (mm)	APPROVALS	DATE	TITLE	AMPHENOL
X. ±0.3	DRAWN Stephane	24/Sep/2007	RJ45 w/Transformer	Amphenol European Design Center
XX ±0.2	CHECKED Rob	24/Sep/2007	Side Entry w/o LED Shielded	
X,XX ±0.15	APPROVED Rob	24/Sep/2007		Scale N.A. Sheet 1 of 2
UNLESS OTHERWISE SPECIFIED	UNIT: mm	SIZE: A4	DRAWING N°	REV. A

LMJ201 881X 100D T1

TRANSFORMER

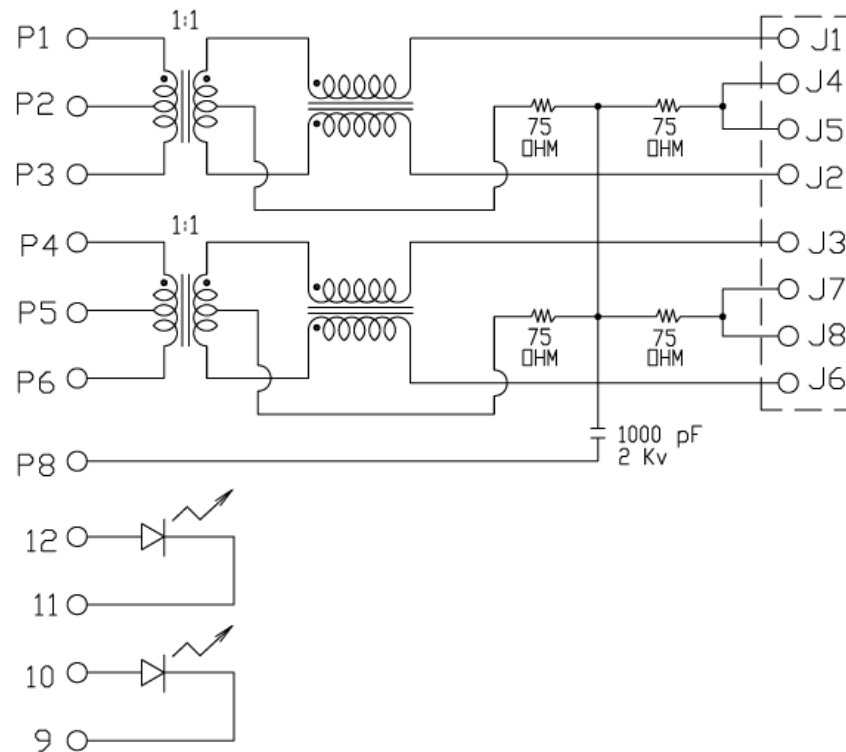
Specification :

Item	Parameter	Condition	Min.	Typ.	Max.	Unit	REMARK
1	Insertion loss	1-100 MHz			-1	dB	
2	Return loss	1-30 MHz	-20			dB	
		30-60 MHz	-15			dB	
		60-80 MHz	-12			dB	
3	Primary Inductance @100KHz, 0.1Vrms, 8mA DC BIAS	(J1-J2), (J3-J6)	350			μH	
4	Crosstalk	1-100 MHz	-35			dB	
5	Hipot	Vrms	1.5			kV	
6	COMMON MODE REJECTION	1-100 MHz	-35			dB	

* OPERATING TEMPERATURE RANGE: 0°C TO +70°C.



CONNECTOR SOLDER SIDE RJ45 CONTACT SIDE



CONNECTOR SCHEMATIC

TOLERANCE (mm)	APPROVALS	DATE	TITLE	AMPHENOL
X. ±0.3	DRAWN Stephane	24/Sep/2007	RJ45 w/Transformer	Amphenol European Design Center
XX ±0.2	CHECKED Rob	24/Sep/2007	Side Entry w/o LED Shielded	
X.XX ±0.15	APPROVED Rob	24/Sep/2007		Scale N.A. Sheet 2 of 2
UNLESS OTHERWISE SPECIFIED	UNIT: mm	SIZE: A4	DRAWING N°	REV. A

LMJ201 881X 100D T1