

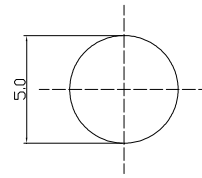
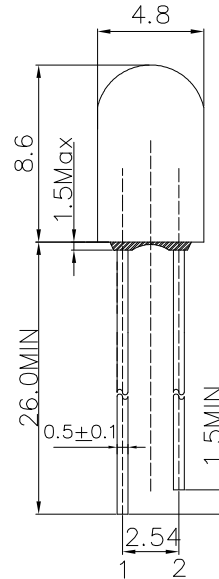
**■Features**

- 5mm Round Standard Directivity
- UV Resistant Epoxy
- RoHS Compliant
- Green Diffused Type
- Ammo Pack

**■Applications**

- Toys
- Games
- Audio
- Christmas Light

**■Outline Dimension**



1: Anode  
2: Cathode  
Unit: mm  
Tolerance: ±0.25mm  
unless otherwise noted

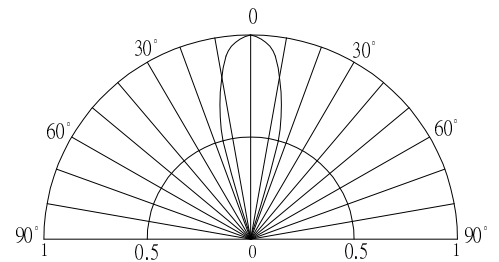
**■Absolute Maximum Rating**

(Ta=25°C)

Item	Symbol	Value	Unit
DC Forward Current	I <sub>F</sub>	30	mA
Pulse Forward Current#	I <sub>FP</sub>	100	mA
Reverse Voltage	V <sub>R</sub>	5	V
Power Dissipation	P <sub>D</sub>	78	mW
Operating Temperature	Topr	-30~ +85	°C
Storage Temperature	Tstg	-40 ~ +100	°C
Lead Soldering Temperature	Tsol	260°C/5sec	-

#Pulse width Max.10ms , Duty ratio max 1/10

**■Directivity**



**■Electrical -Optical Characteristics**

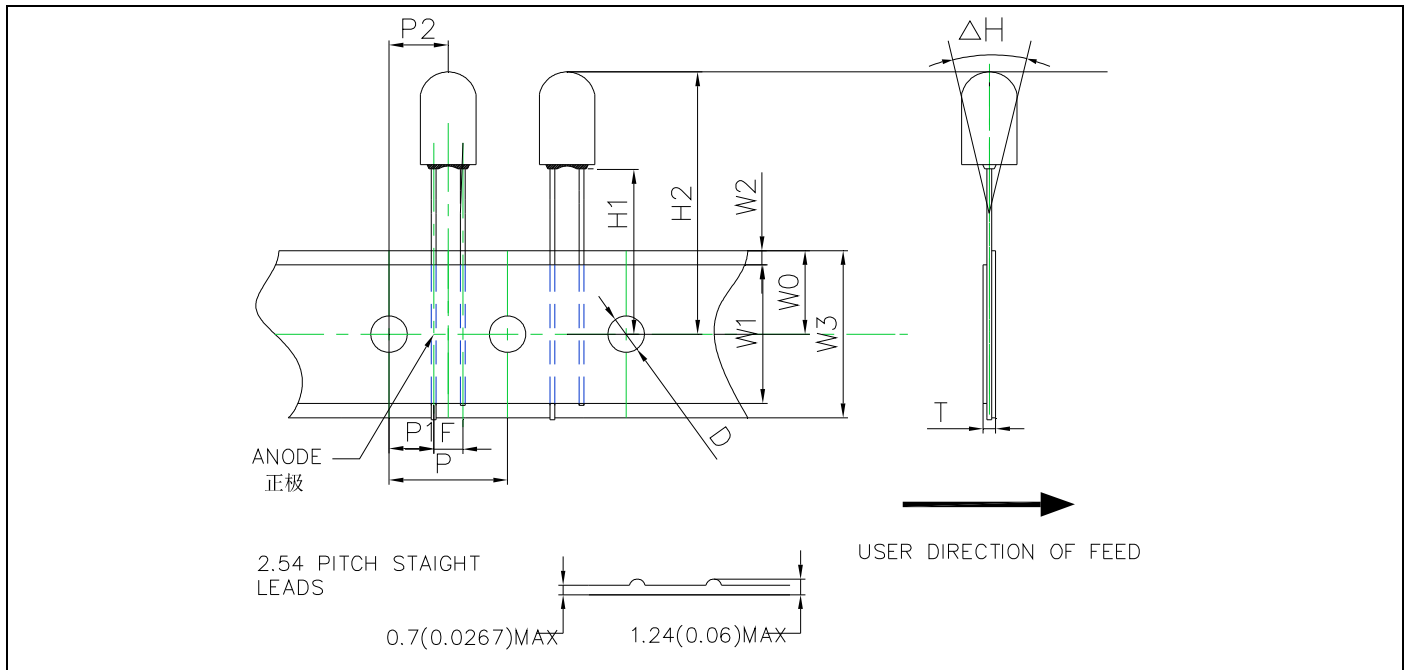
(Ta=25°C)

Item	Symbol	Condition	Min.	Typ.	Max.	Unit
DC Forward Voltage*1	V <sub>F</sub>	I <sub>F</sub> =20mA	1.8	2.1	2.6	V
DC Reverse Current	I <sub>R</sub>	V <sub>R</sub> =5V	-	-	10	μA
Domi. Wavelength*2	λ <sub>D</sub>	I <sub>F</sub> =20mA	565	570	575	nm
Luminous Intensity*3	I <sub>v</sub>	I <sub>F</sub> =20mA	68	100	-	mcd
50% Power Angle	2θ <sub>1/2</sub>	I <sub>F</sub> =20mA	-	30	-	deg

\*1 Tolerance of measurements of forward voltage is ±0.1V

\*2 Tolerance of measurements of dominant wavelength is ±1nm

\*3 Tolerance of measurements of luminous intensity is ±15%



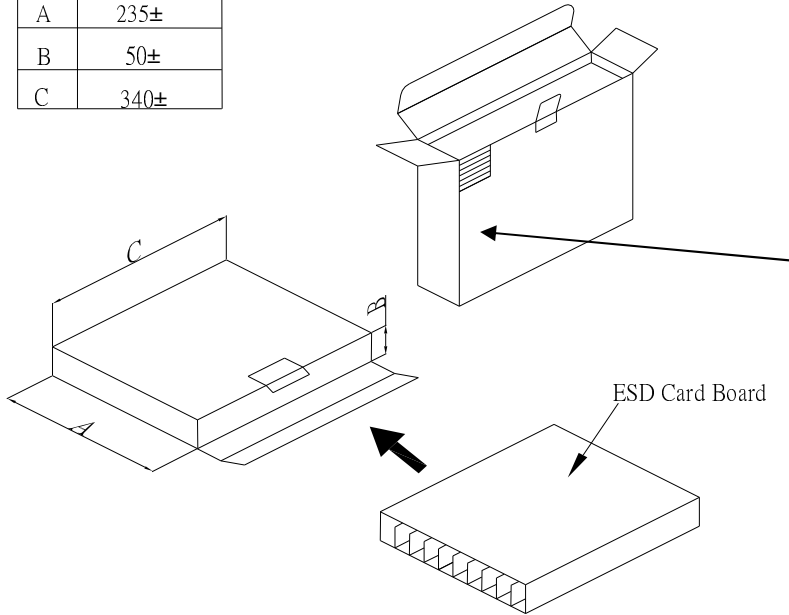
**Taping Outline Dimensions**

ITEM	SYMBOL	SPECIFICATION			
		Millimeter		Inch	
		Size	Tolerance	Size	Tolerance
Tape Feed Hole Diameter	D	4.0	$\pm 0.2$	0.157	$\pm 0.008$
Component Lead Pitch	F	2.54	$\pm 0.3$	0.197	$\pm 0.012$
Front To Rear Deflection	$\Delta H$	-	MAX2.0	-	MAX0.079
Feed Hole To Bottom Of Component	H1	21.5	$\pm 0.5$	0.846	$\pm 0.020$
Feed Hole To Overall Component Height	H2	30.2	$\pm 0.5$	1.189	$\pm 0.020$
Feed Hole Pitch	P	12.7	$\pm 0.3$	0.5	$\pm 0.012$
Lead Location	P1	5.0	$\pm 0.7$	0.197	$\pm 0.027$
Center Component Location	P2	6.35	$\pm 1.3$	0.25	$\pm 0.051$
Overall Taped Package Thickness	T	-	MAX1.42	-	MAX0.056
Feed Hole Location	W0	9.0	$\pm 0.5$	0.354	$\pm 0.020$
Adhesive Tape Width	W1	13.0	$\pm 0.5$	0.512	$\pm 0.020$
Adhesive Tape Position	W2	-	MAX4.0	-	MAX0.157
Taped Width	W3	18.0	$\pm 0.5$	0.709	$\pm 0.020$

**Packing**

Unit: mm

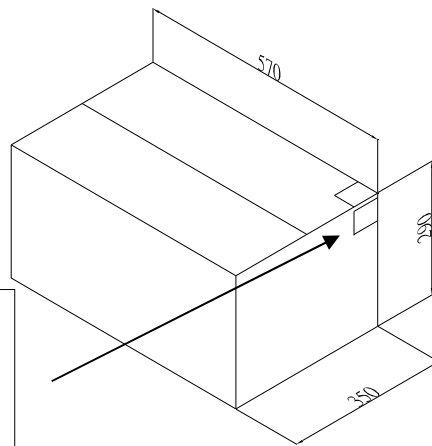
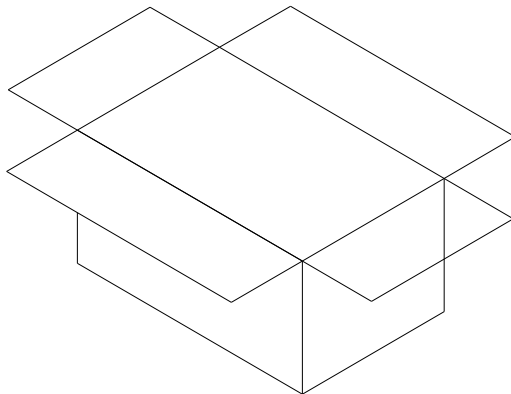
A	235±
B	50±
C	340±



- 1.Package: Box(2000pcs/box)
- 2.Indication: Below indicate the label Details which affix to box.

LED LAMPS	
PART NO:	_____
LOT NO:	_____
IV:	_____
VF:	_____
COLOR:	_____
QTY:	_____
QC:	_____

3.Packaging methods: 10 Boxes/carton



LED LAMPS	
PART NO:	_____
LOT NO:	_____
IV:	_____
VF:	_____
COLOR:	_____
QTY:	_____
QC:	_____

- 3.1 There are 10 Boxes in carton, totally 20,000pcs/carton.
- 3.2 The dimension of outer carton is 480\*355\*275mm.