

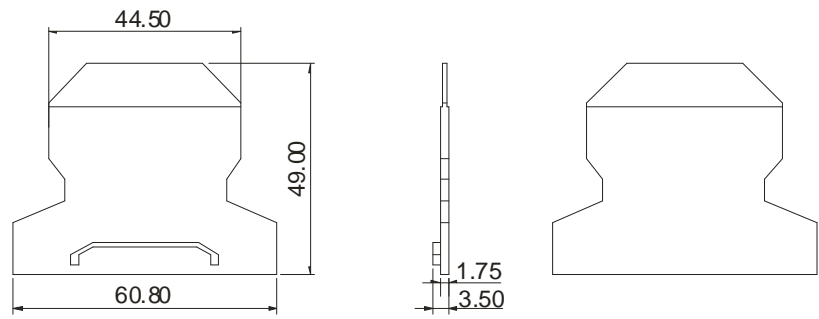


DEGSON ELECTRONICS CO., LTD.

Product Specification



| | |
|--|---|
| Approval | |
| Electrical | |
| Insulating material/Inflammability class | PA/V-0 |
| Remark | ATP-PC → PC1.5, PC2.5B, PC2.5, PC4, PC6, PC10, PC16 TP-PC35 → PC35 |



HOW TO ORDER :

- **P** - -

| | | |
|------------------|---|---|
| X | X | X |
| Customer Request | | |

Series No. No. of pole Color

| | | | | | |
|---|-------|---|--------|---|--------------|
| 1 | Gray | 4 | Green | 7 | Transp-arent |
| 2 | Blue | 5 | Orange | 8 | Yellow |
| 3 | Black | 6 | Red | 9 | white |

| | |
|--------------------------|---|
| mm (INCH) | DEGSON ELECTRONICS CO., LTD. |
| THROANGLE PROJECTION | NAME ATP-PC, TP-PC35 |