



✕ CLOSE

Push Switch > SPUN Series > SPUN191400

2.5mm-travel Large-sized Horizontal Type SPUN Series

[| Dimensions](#) |
 [| Mounting Hole Dimensions](#) |
 [| Actuator Configuration at Front Edge](#) |
 [| Circuit Diagram](#) |
 [| Packing Specifications](#) |
 [| Soldering Conditions](#) |
 [| Products Line of Knob](#) |



Part number [Series Common Info](#)

SPUN191400

NET SHOP

3D CAD

RoHS

Print

Inquiry

Changeover timing Non shorting

Travel 2.5mm

Total travel 3.5mm

Rating Standard

Operating force 2 ± 1 N

Mounting method PC board

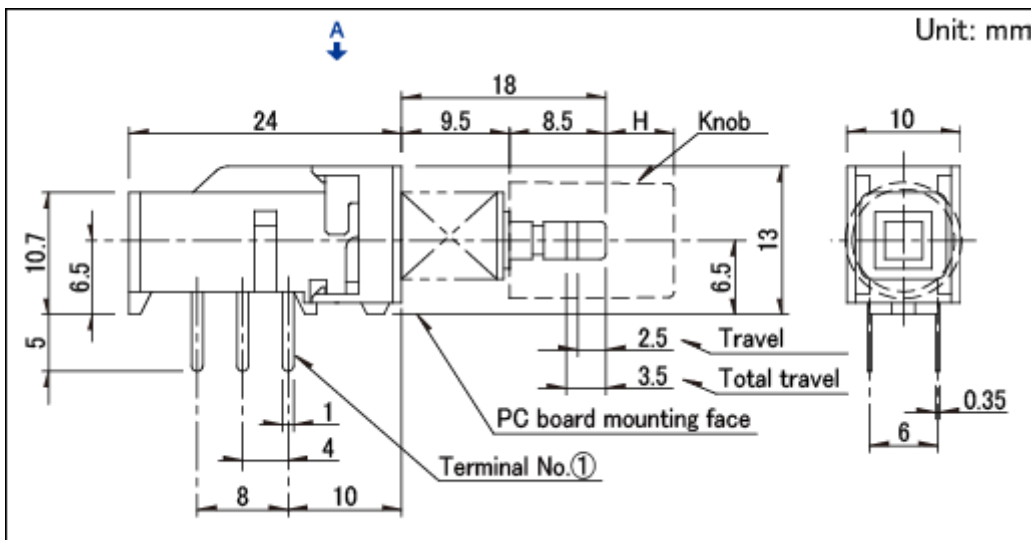
Poles 2

Operation Latching

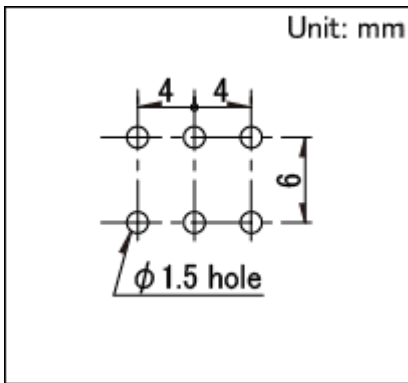
Terminal type Straight

Operating temperature range		-10°C to +60°C
Rating (max.)/(min.) (Resistive load)		0.1A 30V DC/50μA 3V DC
Electrical performance	Contact resistance (Initial performance/After lifetime)	20mΩ max./40mΩ max.
	Insulation resistance	100MΩ min. 500V DC
	Voltage proof	500V AC for 1 minute
	Terminal strength	5N for 1 minute
Mechanical performance	Actuator strength	50N
	Operating direction	50N
	Pulling direction	50N
Durability	Operating life without load	30,000 cycles
		40mΩ max.
	Operating life with load (at max. rated load)	10,000 cycles
Environmental performance		40mΩ max.
	Cold	-20°C 96h
	Dry heat	85°C 96h
	Damp heat	40°C, 90 to 95%RH 96h
Minimum order unit (pcs.)	Japan 250 Export 1,250	

Dimensions

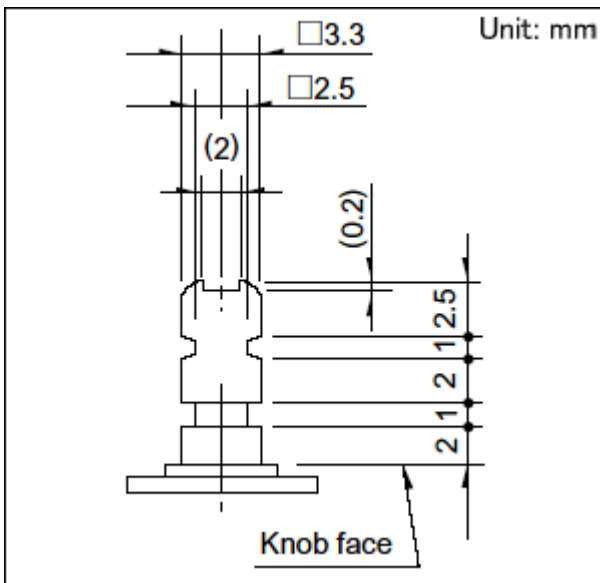


Mounting Hole Dimensions

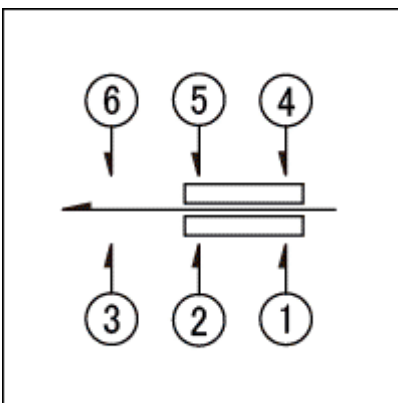


Viewed from direction A in the dimensions.

Actuator Configuration at Front Edge



Circuit Diagram



Packing Specifications

Bulk

Number of packages (pcs.)	1 case / Japan	250
	1 case / export packing	1,250
Export package measurements (mm)	400 × 270 × 290	

Soldering Conditions

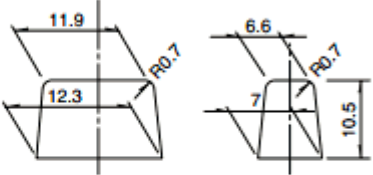
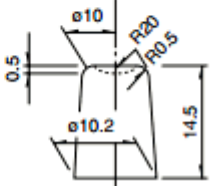
Reference for Dip Soldering

Items	Preheating temperature	100°C max.
	Preheating time	60s max.
Dip soldering	Soldering temperature	260 ± 5°C
	Duration of immersion	10 ± 1s

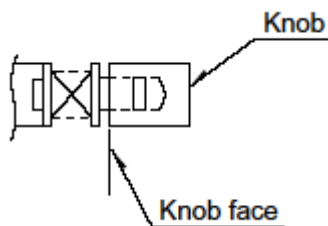
Reference for Hand Soldering

Soldering temperature	350 ± 5°C
Soldering time	3+1/0s

Products Line of Knob

Knob outline drawing	Model	Knob attachment height (H)
<p>Square knob</p>  <p>Color:Black</p>	<p>UE201011</p>	<p>(2)</p>
<p>Round knob</p>  <p>Color:Black</p>	<p>UE200011</p>	<p>(6)</p>

We recommend the use of adhesive to secure the knob when mounting onto switches.



Notes are common to this series/models.

1. This site catalog shows only outline specifications. When using the products, please obtain formal specifications for supply.
2. Please place purchase orders per minimum order unit (integer).
3. Products other than those listed in the above chart are also available. Please contact us for details.

Inquiries about Products

[Inquiry](#)

COPYRIGHT© 2020 ALPS ALPINE CO., LTD